

B E E C H C R A F T  
DUKE B60  
I L L U S T R A T E D P A R T S C A T A L O G

LIST OF PAGES & TABLE OF CONTENTS  
FOR  
CHAPTER 38-00-00 WATER/WASTE

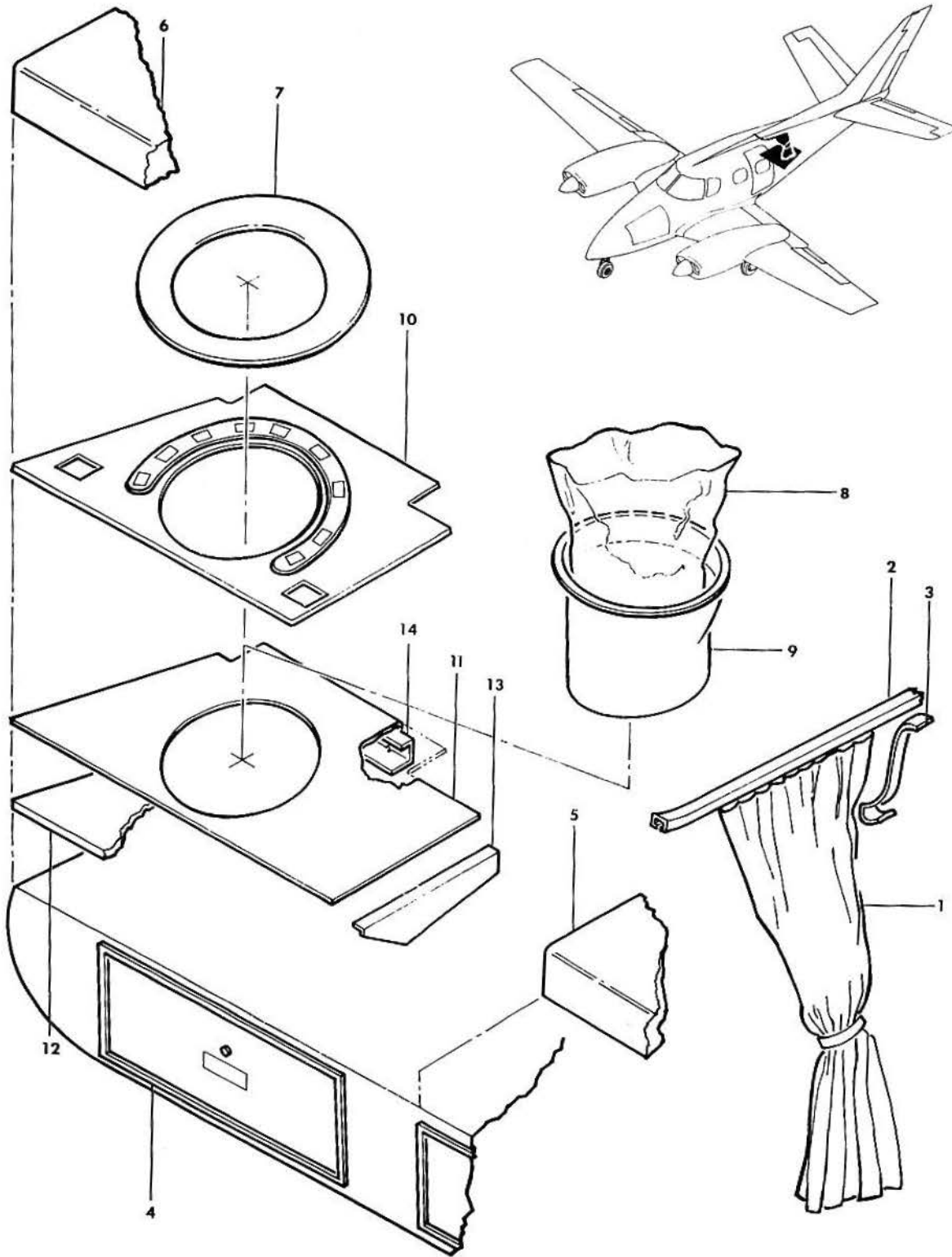
| SYS/SUB-SYS/<br>CHAP SECTION | PAGE<br>NO. | EFFECTIVE<br>DATE | TABLE OF CONTENTS   |
|------------------------------|-------------|-------------------|---|
| 38-00-00                     | 1           | 04/16/82.         | . . . . LIST OF PAGES & TABLE OF CONTENTS . . . . .       |
| 38-30-01                     | 1           | 03/20/81.         | . . . . TOILET INSTALLATION/BENCH SEAT/ . . . . .         |
| 38-30-01                     | 2           | 03/20/81          | P-523 AND AFTER   |
| 38-30-01                     | 3           | 04/16/82          |   |
| 38-30-10                     | 1           | 03/20/81.         | . . . . FLIGHT COMPARTMENT RELIEF TUBE/OPTIONAL/. . . . . |
| 38-30-10                     | 2           | 03/20/81          |   |
| 38-30-10                     | 3           | 03/20/81          |   |
| 38-30-20                     | 1           | 03/20/81.         | . . . . AFT COMPARTMENT RELIEF TUBE/OPTIONAL/ . . . . .   |
| 38-30-20                     | 2           | 03/20/81          |   |
| 38-30-20                     | 3           | 03/20/81          |   |



B E E C H C R A F T  
DUKE B60  
I L L U S T R A T E D P A R T S C A T A L O G

38-30-01  
TOILET INSTALLATION/BENCH SEAT/  
P-523 AND AFTER

BEECHCRAFT  
DUKE B60  
ILLUSTRATED PARTS CATALOG



B60-323-3

B E E C H C R A F T  
DUKE B60  
I L L U S T R A T E D P A R T S C A T A L O G

| GAMA/ATA<br>CODE &<br>INDEX NO. | PART<br>NO.    | DESCRIPTION                                 |   |   |   |   |   |    | UNITS<br>PER<br>ASSY | USABLE<br>ON<br>CODE |
|---------------------------------|----------------|---|---|---|---|---|---|----|----------------------|----------------------|
|                                 |                | 1   | 2 | 3 | 4 | 5 | 6 | 7  |                      |                      |
| 30-01                           | 60-530400-1    | TOILET INSTL,BENCH SEAT                     | . | . | . | . | . | NP | 2                    |                      |
|                                 | 60-530408-1    | TOILET INSTL,BENCH SEAT                     | . | . | . | . | . | NP | 3                    |                      |
|                                 | 60-530401-1    | • CURTAIN INSTL,EMERGENCY TOILET.           | . | . | . | . | . | NP | 1                    |                      |
| - 1                             | 60-530175-41   | • • CURTAIN ASSY.                           | . | . | . | . | . | 1  | 1                    |                      |
|                                 | 60-530175-43   | • • CURTAIN                                 | . | . | . | . | . | 1  | 1                    |                      |
|                                 | SG3575         | • • • TAB,CARRIER                           | . | . | . | . | . | 19 | 1                    |                      |
|                                 | AN227-6        | • • • BUTTON.                               | . | . | . | . | . | 4  | 1                    |                      |
|                                 | AN227-7        | • • • SOCKET.                               | . | . | . | . | . | 4  | 1                    |                      |
| - 2                             | 60-530401-3    | • • TRACK                                   | . | . | . | . | . | 1  | 1                    |                      |
|                                 |                | /ATTACHING PARTS/                           |   |   |   |   |   |    |                      |                      |
|                                 | 3031           | • • SCREW                                   | . | . | . | . | . | AR | 1                    |                      |
|                                 |                | -----*                                      |   |   |   |   |   |    |                      |                      |
|                                 | 60-530175-9    | • • CLIP.                                   | . | . | . | . | . | 1  | 1                    |                      |
|                                 | AN227-10T6     | • • STUD/FOR CURTAIN AND STRAP ASSYS/       | . | . | . | . | . | AR | 1                    |                      |
| - 3                             | 60-530175-29   | • • STRAP ASSY.                             | . | . | . | . | . | 1  | 1                    |                      |
|                                 | 60-530175-31   | • • STRAP                                   | . | . | . | . | . | 1  | 1                    |                      |
|                                 | AN227-6        | • • • BUTTON.                               | . | . | . | . | . | 1  | 1                    |                      |
|                                 | AN227-7        | • • • SOCKET.                               | . | . | . | . | . | 1  | 1                    |                      |
| - 4                             | 60-384085-3    | • STOWAGE COMPARTMENT/USE WITH TOILET/.     | . | . | . | . | . | 1  | 1                    |                      |
|                                 |                | /ATTACHING PARTS/                           |   |   |   |   |   |    |                      |                      |
|                                 | MS24693S274    | • SCREW                                     | . | . | . | . | . | 6  | 1                    |                      |
|                                 |                | -----*                                      |   |   |   |   |   |    |                      |                      |
| - 5                             | 60-530400-25   | • CUSHION ASSY,LH                           | . | . | . | . | . | 1  | 2                    |                      |
|                                 | 60-530411-3    | • CUSHION ASSY,LH                           | . | . | . | . | . | 1  | 3                    |                      |
|                                 | SJ3538         | • • HOOK/2 INCHES WIDE/                     | . | . | . | . | . | AR | 1                    |                      |
| - 6                             | 60-530400-27   | • CUSHION ASSY,RH                           | . | . | . | . | . | 1  | 2                    |                      |
|                                 | 60-530411-5    | • CUSHION ASSY,RH                           | . | . | . | . | . | NP | 3                    |                      |
| - 7                             | 60-530400-3    | • SEAT ASSY                                 | . | . | . | . | . | 1  | 1                    |                      |
|                                 | 60-530400-5    | • • SEAT.                                   | . | . | . | . | . | 1  | 1                    |                      |
|                                 | SJ3538         | • • HOOK/1 INCH WIDE/                       | . | . | . | . | . | AR | 1                    |                      |
| - 8                             | 9 X 8 X 18     | • BAG,DISPOSABLE/4 GAL. CAPACITY/           | . | . | . | . | . | 1  | 1                    |                      |
|                                 | 60-530174-41   | • BAND.                                     | . | . | . | . | . | 1  | 1                    |                      |
|                                 | 60-530400-11   | • BUCKET.                                   | . | . | . | . | . | 1  | 1                    |                      |
| - 10                            | 60-530400-7    | • COVER ASSY,SEAT                           | . | . | . | . | . | 1  | 2                    |                      |
|                                 | 60-530400-51   | • COVER ASSY,SEAT                           | . | . | . | . | . | 1  | 3                    |                      |
|                                 | 60-530400-9    | • • COVER                                   | . | . | . | . | . | NP | 1                    |                      |
|                                 | SJ3537         | • • LOOP/1 AND 2 INCH WIDE/                 | . | . | . | . | . | AR | 1                    |                      |
| - 11                            | 60-530400-13   | • PANEL,SEAT.                               | . | . | . | . | . | 1  | 2                    |                      |
|                                 | 60-530408-3    | • PANEL,SEAT.                               | . | . | . | . | . | 1  | 3                    |                      |
|                                 |                | /ATTACHING PARTS/                           |   |   |   |   |   |    |                      |                      |
|                                 | NAS387-1032-8P | • SCREW/ATTACHES -7 & -13 TO -17 & -21/     | . | . | . | . | . | 10 | 2                    |                      |
|                                 |                | -----*                                      |   |   |   |   |   |    |                      |                      |
| - 12                            | 60-530400-15   | • PANEL,SEAT DECK                           | . | . | . | . | . | 1  | 1                    |                      |
| - 13                            | 60-530400-17   | • BRACKET ASSY.                             | . | . | . | . | . | 2  | 1                    |                      |
|                                 | 60-530400-18   | • BRACKET ASSY.                             | . | . | . | . | . | 2  | 1                    |                      |
|                                 | 60-530400-19   | • • BRACKET                                 | . | . | . | . | . | 1  | 1                    |                      |
|                                 | 60-530400-20   | • • BRACKET                                 | . | . | . | . | . | 1  | 1                    |                      |
|                                 | MS21075L3      | • • NUTPLATE.                               | . | . | . | . | . | 2  | 1                    |                      |
|                                 | 130909B15      | • • BOLT.                                   | . | . | . | . | . | 2  | 1                    |                      |
| - 14 R                          | 60-530400-21   | • BRACKET ASSY/REAR/.                       | . | . | . | . | . | 1  | 1                    |                      |
|                                 | 60-530400-23   | • • BRACKET                                 | . | . | . | . | . | 1  | 1                    |                      |
|                                 | MS21075L3      | • • NUTPLATE.                               | . | . | . | . | . | 2  | 1                    |                      |
|                                 | 60-530380-37   | • TUBE.                                     | . | . | . | . | . | 1  | 2                    |                      |
|                                 | MS24665-153    | • PIN                                       | . | . | . | . | . | 2  | 2                    |                      |
|                                 | 60-530380-33   | • SLING                                     | . | . | . | . | . | AR | 2                    |                      |
|                                 | 60-530120-1    | ROD INSTL,COAT HANGAR/SEE CHAPTER 25-50-01/ | . | . | . | . | . | NP | 1                    |                      |
|                                 |                | FOR REST OF SEAT BKDN SEE CHAPTER 25-20-42  |   |   |   |   |   |    |                      |                      |

CODES OF EFFECTIVITY

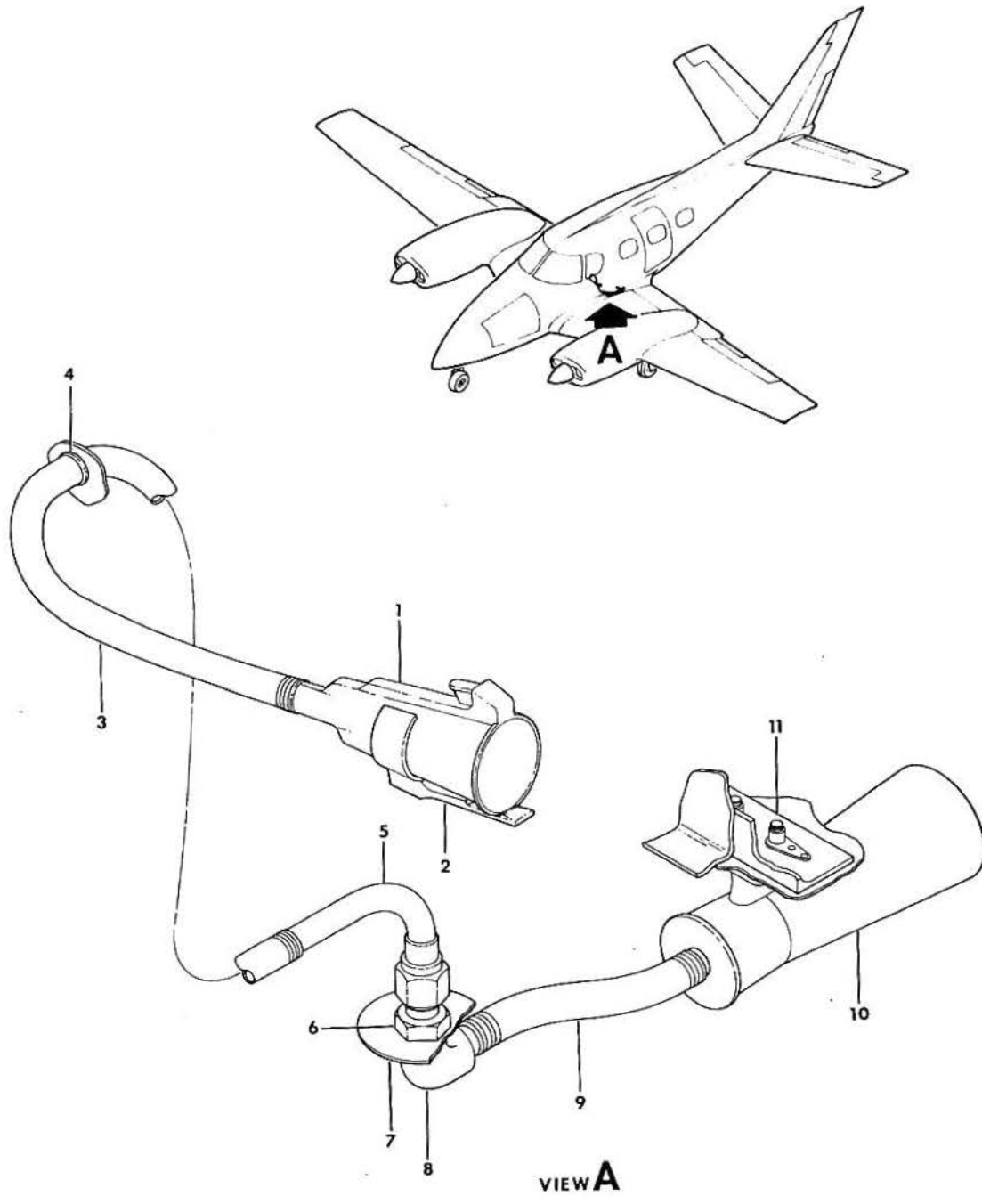
1 P-523 AND AFTER                      2 P-523 THRU P-555  
3 P-556 AND AFTER



B E E C H C R A F T  
DUKE B60  
I L L U S T R A T E D P A R T S C A T A L O G

38-30-10  
FLIGHT COMPARTMENT RELIEF TUBE/OPTIONAL/

BEECHCRAFT  
DUKE B60  
ILLUSTRATED PARTS CATALOG



B60-323-4

FIGURE 30-10.FLT COMPT RELIEF TUBE/OPTIONAL/



BEECHCRAFT  
DUKE B60  
ILLUSTRATED PARTS CATALOG

| GAMA/ATA<br>CODE &<br>INDEX NO. | PART<br>NO.  | DESCRIPTION                                  |   |   |   |   |   |   | UNITS<br>PER<br>ASSY | USABLE<br>ON<br>CODE |
|---------------------------------|--------------|--|---|---|---|---|---|---|----------------------|----------------------|
|                                 |              | 1  | 2 | 3 | 4 | 5 | 6 | 7 |                      |                      |
| 30-10                           | 60-5004      | RELIEF TUBE INSTL,FLT COMPT/KIT INFORMATION/ | . | . | . | . | . | . | NP                   |                      |
|                                 | 60-5004/DWG/ | . KIT DRAWING,FLT COMPT RELIEF TUBE          | . | . | . | . | . | . | 1                    |                      |
| - 1                             | WM203        | . HORN                                       | . | . | . | . | . | . | 1                    |                      |
| - 2                             | MS22025-1    | . BRACKET                                    | . | . | . | . | . | . | 1                    |                      |
|                                 |              | /ATTACHING PARTS/                            |   |   |   |   |   |   |                      |                      |
|                                 | AN515-4-24   | . SCREW                                      | . | . | . | . | . | . | 2                    |                      |
|                                 | MK2000-4     | . NUT,ANCHOR                                 | . | . | . | . | . | . | 2                    |                      |
|                                 |              | *-----*                                      |   |   |   |   |   |   |                      |                      |
| - 3                             | MC0C57117-3  | . TUBE                                       | . | . | . | . | . | . | 1                    |                      |
| - 4                             | AN931-10-14  | . GROMMET                                    | . | . | . | . | . | . | 1                    |                      |
| - 5                             | MC0C45448-7  | . TUBE ASSY                                  | . | . | . | . | . | . | 1                    |                      |
| - 6                             | AN924-6D     | . NUT  | . | . | . | . | . | . | 1                    |                      |
| - 7                             | 50-534452-1  | . REINFORCEMENT                              | . | . | . | . | . | . | 1                    |                      |
| - 8                             | AN838-6D     | . ELBOW                                      | . | . | . | . | . | . | 1                    |                      |
| - 9                             | MC0C57117-5  | . TUBE                                       | . | . | . | . | . | . | 1                    |                      |
| - 10                            | AAF41A9177   | . VENTURI                                    | . | . | . | . | . | . | 1                    |                      |
|                                 |              | /ATTACHING PARTS/                            |   |   |   |   |   |   |                      |                      |
|                                 | MS35207-263  | . SCREW                                      | . | . | . | . | . | . | 2                    |                      |
|                                 | 22NKA17-02   | . NUTPLATE                                   | . | . | . | . | . | . | 2                    |                      |
|                                 |              | *-----*                                      |   |   |   |   |   |   |                      |                      |
| - 11                            | MC0C45448-3  | . ANGLE                                      | . | . | . | . | . | . | 1                    |                      |

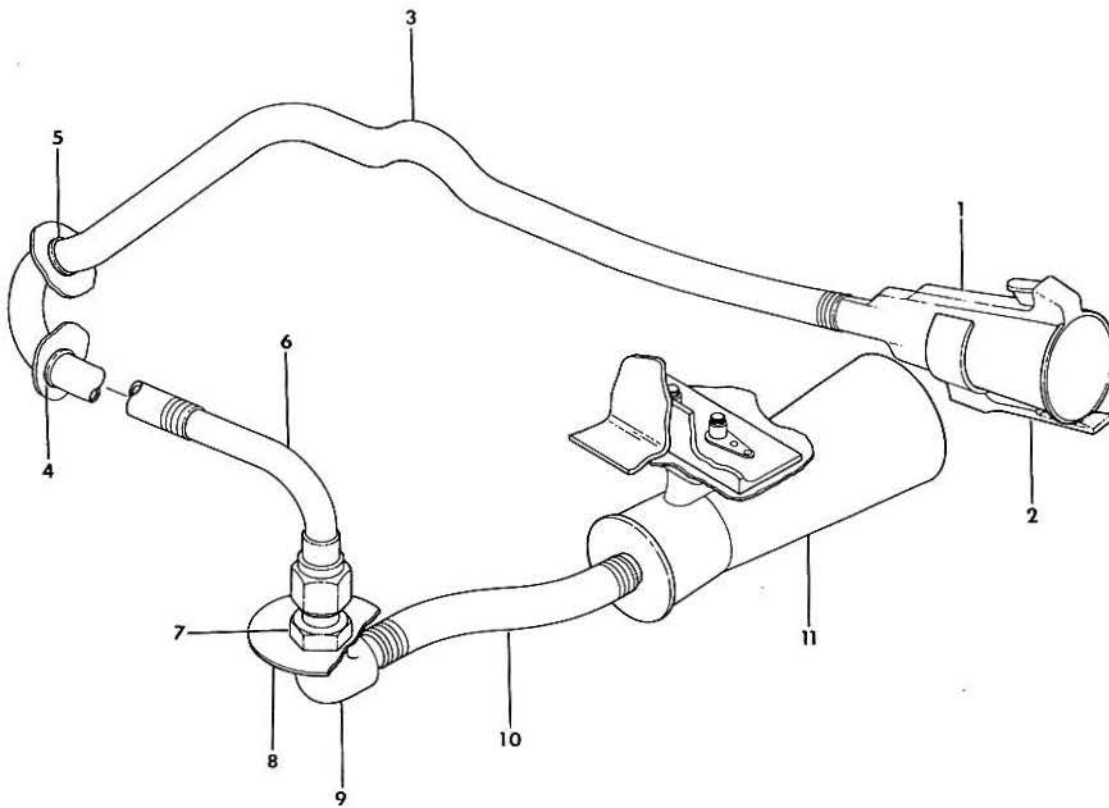
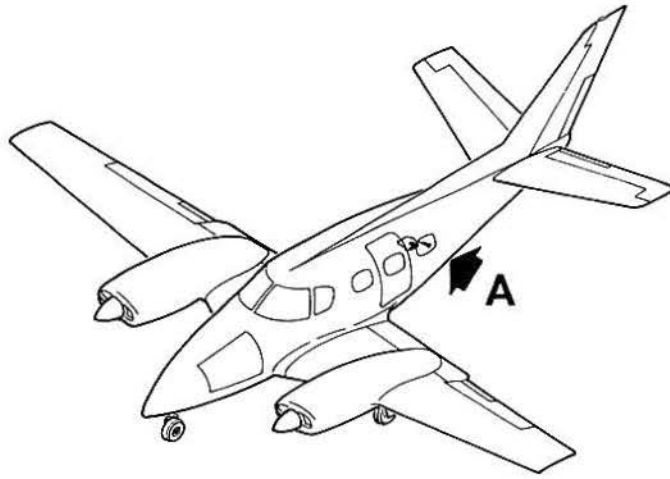
NOTE SEE CHAPTER 38-30-20 FOR RELIEF TUBE  
INSTL-AFT COMPT.



B E E C H C R A F T  
DUKE B60  
I L L U S T R A T E D P A R T S C A T A L O G

38-30-20  
AFT COMPARTMENT RELIEF TUBE/OPTIONAL/

BEECHCRAFT  
DUKE B60  
ILLUSTRATED PARTS CATALOG



VIEW A

B60-323-5

B E E C H C R A F T  
DUKE B60  
I L L U S T R A T E D P A R T S C A T A L O G

| GAMA/ATA<br>CODE &<br>INDEX NO. | PART<br>NO.  | DESCRIPTION  |   |   |   |   |   |   | UNITS<br>PER<br>ASSY | USABLE<br>ON<br>CODE |
|---------------------------------|--------------|--|---|---|---|---|---|---|----------------------|----------------------|
|                                 |              | 1  | 2 | 3 | 4 | 5 | 6 | 7 |                      |                      |
| 30-20                           | 60-5004-1    | RELIEF TUBE INSTL,AFT COMPT/KIT INFORMATION/ . . . |   |   |   |   |   |   | NP                   |                      |
|                                 | 60-5004/DWG/ | . KIT DRAWING,AFT COMPT RELIEF TUBE INSTL . . .    |   |   |   |   |   |   | 1                    |                      |
| - 1                             | WM203        | . HORN. . . . .                                    |   |   |   |   |   |   | 1                    |                      |
| - 2                             | MS22025-1    | . BRACKET . . . . .                                |   |   |   |   |   |   | 1                    |                      |
|                                 |              | /ATTACHING PARTS/                                  |   |   |   |   |   |   |                      |                      |
|                                 | AN515-4-24   | . SCREW . . . . .                                  |   |   |   |   |   |   | 2                    |                      |
|                                 | MK2000-4     | . NUT,ANCHOR. . . . .                              |   |   |   |   |   |   | 2                    |                      |
|                                 |              | *-----*  |   |   |   |   |   |   |                      |                      |
| - 3                             | MCOC57117-3  | . TUBE. . . . .                                    |   |   |   |   |   |   | 1                    |                      |
| - 4                             | AN931-10-14  | . GROMMET/FLOORBOARD PANEL/ . . . . .              |   |   |   |   |   |   | 1                    |                      |
| - 5                             | MCOC57117-11 | . GROMMET/SUPPORT CHANNEL/. . . . .                |   |   |   |   |   |   | 1                    |                      |
| - 6                             | MCOC45448-7  | . TUBE ASSY . . . . .                              |   |   |   |   |   |   | 1                    |                      |
| - 7                             | AN924-6D     | . NUT . . . . .                                    |   |   |   |   |   |   | 1                    |                      |
| - 8                             | 50-534452-1  | . REINFORCEMENT . . . . .                          |   |   |   |   |   |   | 1                    |                      |
| - 9                             | AN838-6D     | . ELBOW . . . . .                                  |   |   |   |   |   |   | 1                    |                      |
| - 10                            | MCOC57117-5  | . TUBE. . . . .                                    |   |   |   |   |   |   | 1                    |                      |
| - 11                            | AAF41A9177   | . VENTURI . . . . .                                |   |   |   |   |   |   | 1                    |                      |
|                                 |              | /ATTACHING PARTS/                                  |   |   |   |   |   |   |                      |                      |
|                                 | MS35207-263  | . SCREW . . . . .                                  |   |   |   |   |   |   | 2                    |                      |
|                                 | MK2000-3     | . NUT,ANCHOR/ATTACHES TO EXISTING DOUBLER/. . .    |   |   |   |   |   |   | 2                    |                      |
|                                 |              | *-----*  |   |   |   |   |   |   |                      |                      |

NOTE SEE CHAPTER 38-30-10 FOR RELIEF TUBE  
INSTL-FLT COMPT.

