

B E E C H C R A F T
DUKE B60
I L L U S T R A T E D P A R T S C A T A L O G

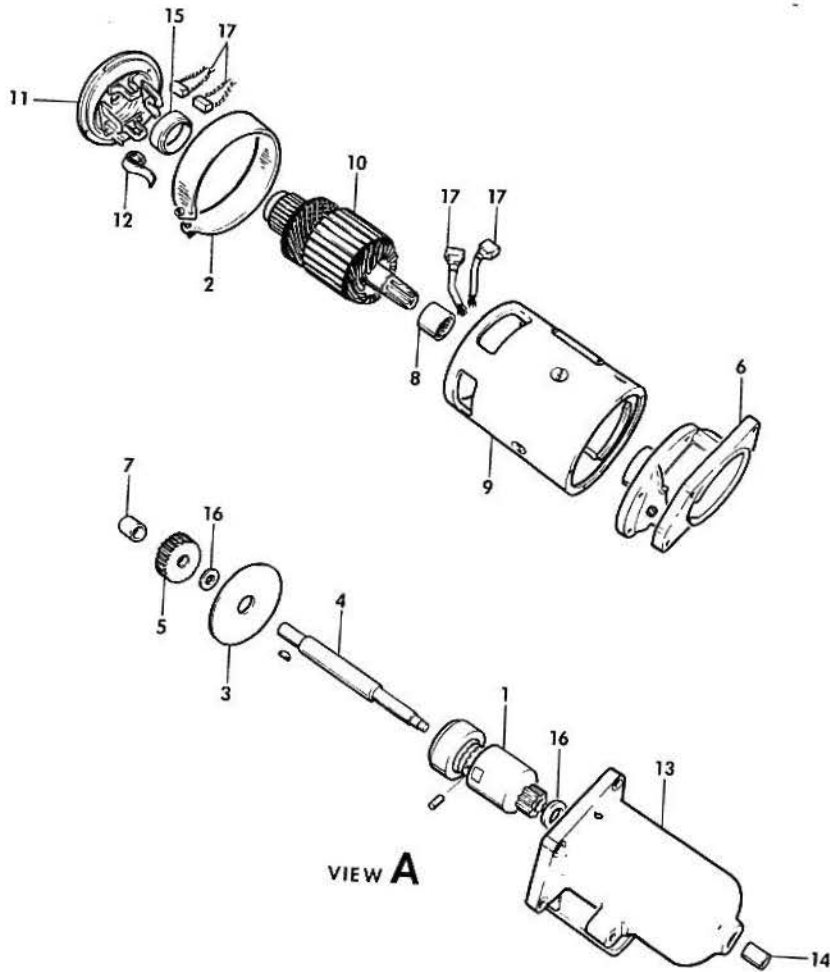
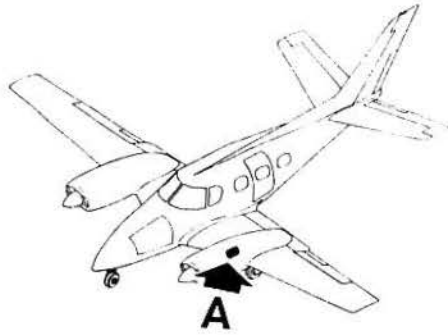
LIST OF PAGES & TABLE OF CONTENTS
FOR
CHAPTER 80-00-00 STARTING

SYS/SUB-SYS/ CHAP SECTION	PAGE NO.	EFFECTIVE DATE	TABLE OF CONTENTS
80-00-00	1	03/20/81. LIST OF PAGES & TABLE OF CONTENTS
80-10-01	1	03/20/81. STARTER
80-10-01	2	03/20/81	
80-10-01	3	03/20/81	

B E E C H C R A F T
DUKE B60
I L L U S T R A T E D P A R T S C A T A L O G

80-10-01
STARTER

BEECHCRAFT
DUKE B60
ILLUSTRATED PARTS CATALOG



B60-357-1

B E E C H C R A F T
DUKE B60
I L L U S T R A T E D P A R T S C A T A L O G

GAMA/ATA CODE & INDEX NO.	PART NO.	DESCRIPTION	UNITS PER ASSY	USABLE ON CODE
10-01	MHB4002	STARTER ASSY,ENGINE/ALTERNATE FOR MHB4011 AND . MHB4017/PRESTOLITE/	1	
	MHB4011	STARTER ASSY,ENGINE/ALTERNATE FOR MHB4002 AND . MHB4017/PRESTOLITE/	1	
	MHB4017	STARTER ASSY,ENGINE/ALTERNATE FOR MHB4002 AND . MHB4011/PRESTOLITE/	1	
- 1	EBB75A	. DRIVE,BENDIX.	1	
- 2	MZ24A	. BAND,COVER.	1	
- 3	MZ393	. PLATE,RETAINER.	1	
- 4	MZ394	. SHAFT,BENDIX DRIVE.	1	
- 5	MZ396	. GEAR.	1	
- 6	MZ1390	. HOUSING ASSY,GEAR	1	
- 7	XA997	. BEARING,NEEDLE/1-2 INCH OD/	1	
- 8	XA998	. BEARING,NEEDLE/13-16 INCH OD/	1	
- 9	MHB2397	. FRAME AND FIELD ASSY.	1	
- 10	MHB2399	. ARMATURE.	1	
- 11	MHB2400	. HEAD ASSY,COMMUTATOR END.	1	
- 12	MZ19S	. SPRING SET,BRUSH.	1	
- 13	PS1437	. HOUSING ASSY,PINION	1	
- 14	MZ389	. BEARING,BRONZE-GRAPHITE	1	
- 15	X3212	. BEARING,SEALED BALL	1	
- 16	P90-601	. WASHER,THRUST /PACKAGE/	1	
- 17	MHB2012S	. BRUSH SET	1	
	60-369025-1	FUSEHOLDER ASSY,STARTER ANNUNCIATOR	1	1
	AGC5	FUSE.	1	1
	36-364024-37	PLACARD,STARTER ANNUNCIATOR	1	1

CODES OF EFFECTIVITY

1 P-556 AND AFTER

