

B E E C H C R A F T
DUKE B60
I L L U S T R A T E D P A R T S C A T A L O G

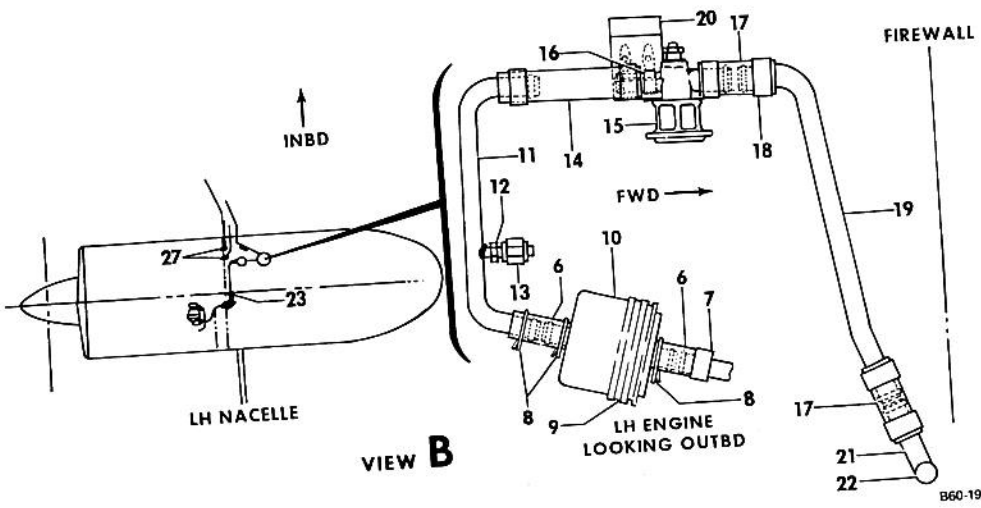
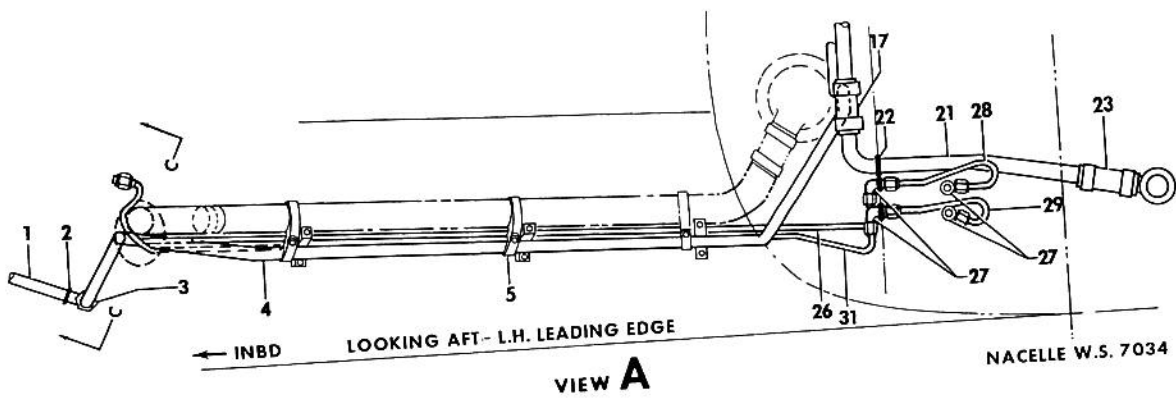
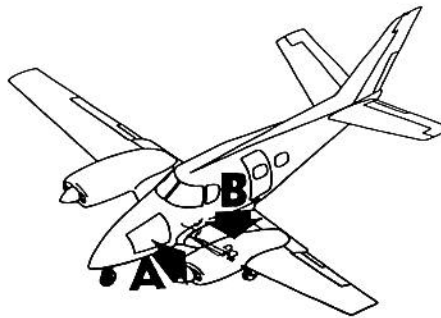
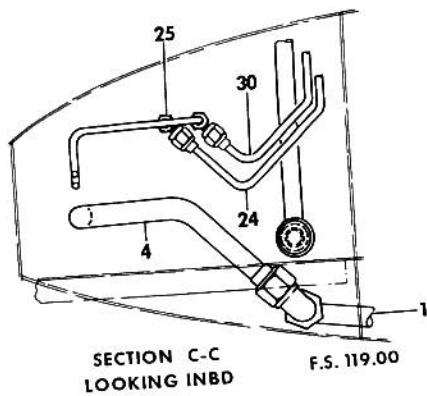
LIST OF PAGES & TABLE OF CONTENTS
FOR
CHAPTER 36-00-00 PNEUMATIC

SYS/SUB-SYS/ CHAP SECTION	PAGE NO.	EFFECTIVE DATE	TABLE OF CONTENTS
36-00-00	1	04/16/82. LIST OF PAGES & TABLE OF CONTENTS
36-10-01	1	03/20/81. PNEUMATIC PRESSURE SYSTEM
36-10-01	2	03/20/81	
36-10-01	3	01/08/82	
36-10-01	4	03/20/81	
36-10-01	5	04/16/82	

BEECHCRAFT
DUKE B60
ILLUSTRATED PARTS CATALOG

36-10-01
PNEUMATIC PRESSURE SYSTEM

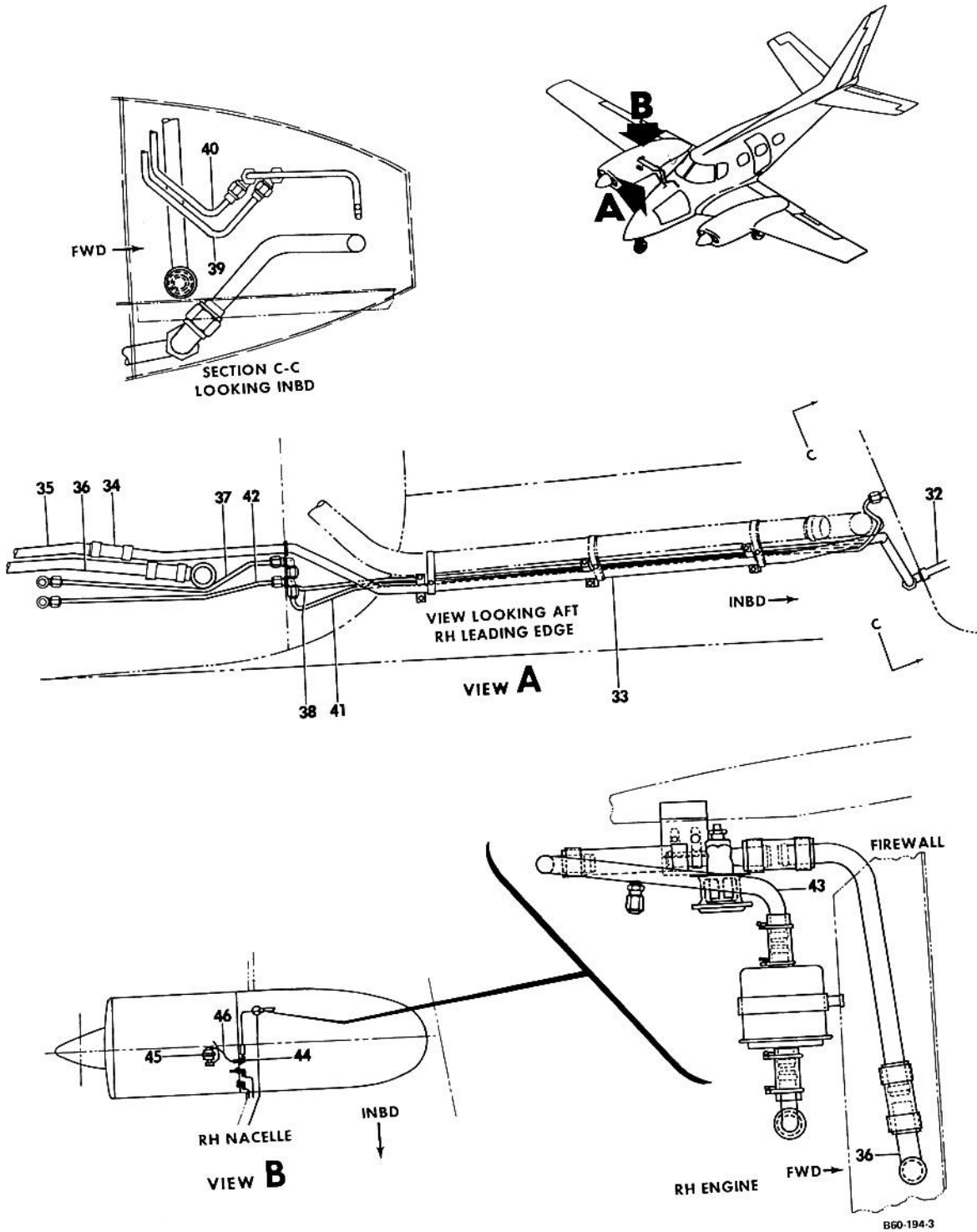
BEECHCRAFT
DUKE B60
ILLUSTRATED PARTS CATALOG



BEECHCRAFT
DUKE B60
ILLUSTRATED PARTS CATALOG

GAMA/ATA CODE & INDEX NO.	PART NO.	DESCRIPTION	UNITS PER ASSY	USABLE ON CODE
10-01	60-320000	PLUMBING INSTL,SINGLE INSTRUMENT.	NP	
	60-320000-1	PLUMBING INSTL,DUAL INSTRUMENT.	NP	
- 1	60-320000-33	. TUBE ASSY,INSTRUMENT PLUMBING LH.	1	
- 2	MS35489-22	. GROMMET,FUSELAGE SKIN	2	
- 3	AN833-10D	. ELBOW,BULKHEAD.	2	
	AN924-10D	. NUT	2	
	AN960-1416	. WASHER.	2	
- 4	60-320000-31	. TUBE ASSY,INSTRUMENT PLUMBING LH.	1	
- 5	AN742D10	. CLAMP,TUBE.	6	
- 6	106200H10-8	. HOSE,INSTRUMENT AIR FILTER.	4	
- 7	AN737TW38	. CLAMP,HOSE LH	1	
- 8	A16	. CLAMP,LH AND RH FILTER.	7	
- 9	MS21919DG50	. CLAMP,FILTER MOUNTING	2	
		/ATTACHING PARTS/		
	130909B14	. BOLT,LH	1	
	130909B24	. BOLT,RH	1	
	130909N29	. NUT	2	
	AN960-10	. WASHER.	2	
	100696D-ZL032	. SPACER,RH	1	
- 10	1J4-7	. FILTER,INSTRUMENT PLUMBING AIR.	2	
- 11	60-320000-231	. WELD ASSY,INSTRUMENT PLUMBING LH.	1	
- 12	60-320000-227	. TUBE,WELD ASSY LH/ORDER 60-320000-231/.	NP	
- 13	60-320000-187	. NIPPLE,WELD ASSY/ORDER 60-320000-231/.	NP	
- 14	AN929-4	. CAP,WELD ASSY	1	
- 14	106200H10-20	. HOSE,INSTRUMENT PRESSURE RELIEF VALVE	2	
	AN737TW34	. CLAMP,PRESSURE RELIEF VALVE HOSE.	4	
- 15	R 2H30-1	. VALVE,INSTRUMENT AIR PRESSURE RELIEF.	2	
- 16	AN742-10	. CLAMP,RELIEF VALVE MOUNTING	2	
		/ATTACHING PARTS/		
	130909B17	. BOLT.	2	
	100696D-ZL012	. SPACER.	2	
- 17	106200H12-11	. HOSE,INSTRUMENT PRESSURE RELIEF VALVE	4	
- 18	AN737TW38	. CLAMP,PRESSURE RELIEF VALVE HOSE.	8	
- 19	60-320000-23	. TUBE,INSTRUMENT PLUMBING LH	1	
- 20	60-320000-61	. BRACKET ASSY,PRESSURE RELIEF VALVE.	2	
- 21	60-320000-219	. TUBE,INSTRUMENT PLUMBING LH	1	
- 22	R NAS557-14C	. GROMMET,NACELLE WEB	2	
- 23	106200H12-12	. HOSE,TUBE CONNECTOR	2	
- 24	60-320000-19	. TUBE ASSY,MANIFOLD PRESSURE LH.	1	
- 25	AN833-4D	. ELBOW,BULKHEAD.	4	
	AN924-4D	. NUT	4	
	AN960-716	. WASHER.	4	
- 26	60-320000-9	. TUBE ASSY,MANIFOLD PRESSURE	1	
- 27	AN833-4D	. ELBOW,BULKHEAD.	4	
	AN924-4D	. NUT	4	
	AN960-716	. WASHER.	4	
- 28	60-320000-13	. TUBE ASSY,MANIFOLD PRESSURE LH.	1	
- 29	60-320000-11	. TUBE ASSY,OIL PRESSURE LH	1	
- 30	60-320000-17	. TUBE ASSY,OIL PRESSURE LH	1	
- 31	60-320000-7	. TUBE ASSY,OIL PRESSURE LH	1	

BEECHCRAFT
DUKE B60
ILLUSTRATED PARTS CATALOG



B E E C H C R A F T
DUKE 860
I L L U S T R A T E D P A R T S C A T A L O G

GAMA/ATA CODE & INDEX NO.	PART NO.	DESCRIPTION							UNITS PER ASSY	USABLE ON CODE
		1	2	3	4	5	6	7		
10-01 - 32	60-320000-35	1	
- 33	60-320000-39	1	
- 34	106200H10-12 AN737TW34	1	
- 35	60-320000-43	2	
- 36	60-320000-49	1	
- 37 R	60-320000-53	1	
- 38	60-320000-10	1	
- 39 R	60-320000-20	1	
- 40 R	60-320000-18	1	
- 41	60-320000-8	1	
- 42 R	60-320000-51	1	
- 43	60-320000-229 60-910001-3	1	
- 44	AN838-12C AN924-12 AN960-1216	NP	
- 45 R	242CW	NP	
	R 442CW	2	
- 46	60-329017-1	2	

NOTE SEE CHAPTER 39 FOR REMAINDER OF PLUMBING

