

B E E C H C R A F T  
DUKE B60  
I L L U S T R A T E D P A R T S C A T A L O G

LIST OF PAGES & TABLE OF CONTENTS  
FOR  
CHAPTER 33-00-00 LIGHTS

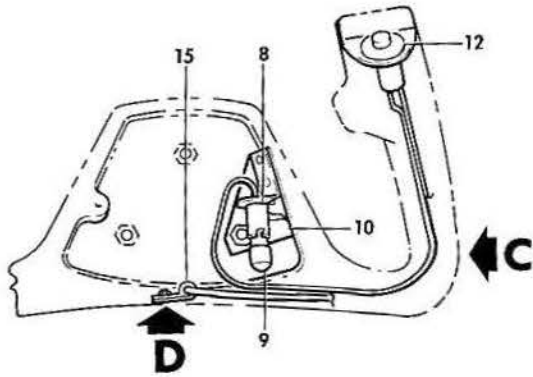
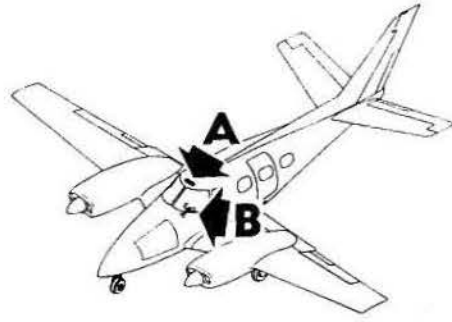
SYS/SUB-SYS/ CHAP SECTION	PAGE NO.	EFFECTIVE DATE	TABLE OF CONTENTS
33-00-00	1	04/16/82.	LIST OF PAGES & TABLE OF CONTENTS . . . . .
33-10-01	1	03/20/81.	CREW COMPARTMENT LIGHTS . . . . .
33-10-01	2	03/20/81	
33-10-01	3	04/16/82	
33-20-01	1	03/20/81.	PASSENGER COMPARTMENT LIGHTS. . . . .
33-20-01	2	03/20/81	
33-20-01	3	03/20/81	
33-30-01	1	03/20/81.	BAGGAGE COMPARTMENT LIGHT . . . . .
33-30-01	2	03/20/81	
33-30-01	3	04/16/82	
33-40-01	1	03/20/81.	TAXI LIGHT. . . . .
33-40-01	2	03/20/81	
33-40-01	3	03/20/81	
33-40-10	1	03/20/81.	NAVIGATION AND LANDING LIGHTS . . . . .
33-40-10	2	03/20/81	
33-40-10	3	03/20/81	
33-40-10	4	03/20/81	
33-40-10	5	03/20/81	
33-40-20	1	03/20/81.	WING ICE LIGHT. . . . .
33-40-20	2	03/20/81	
33-40-20	3	04/16/82	
33-40-31	1	03/20/81.	STROBE LIGHTS . . . . .
33-40-31	2	03/20/81	
33-40-31	3	03/20/81	
33-40-31	4	03/20/81	
33-40-31	5	03/20/81	
33-40-31	6	03/20/81	
33-40-31	7	03/20/81	
33-40-40	1	03/20/81.	OSCILLATING BEACONS . . . . .
33-40-40	2	03/20/81	
33-40-40	3	03/20/81	
33-40-50	1	03/20/81.	WING TIP RECOGNITION LIGHT. . . . .
33-40-50	2	03/20/81	P-386,P-401 & AFTER
33-40-50	3	01/08/82	



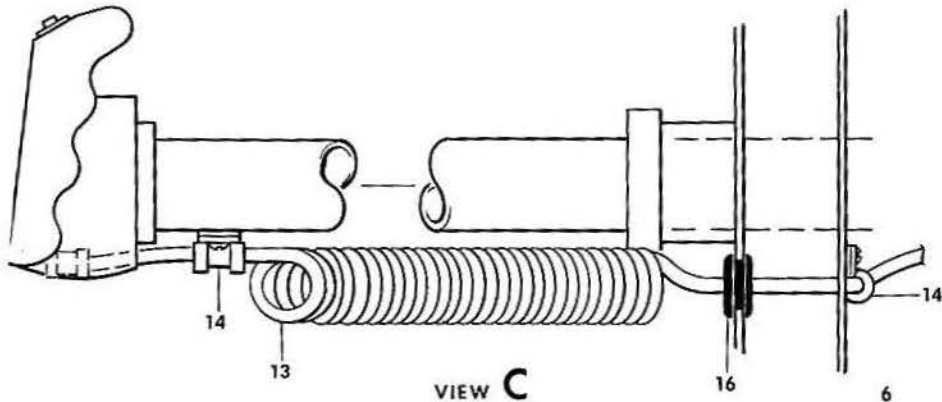
BEECHCRAFT  
DUKE B60  
ILLUSTRATED PARTS CATALOG

33-10-01  
CREW COMPARTMENT LIGHTS

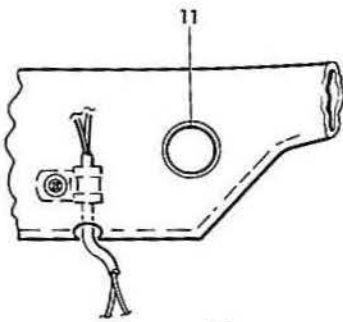
BEECHCRAFT  
DUKE B60  
ILLUSTRATED PARTS CATALOG



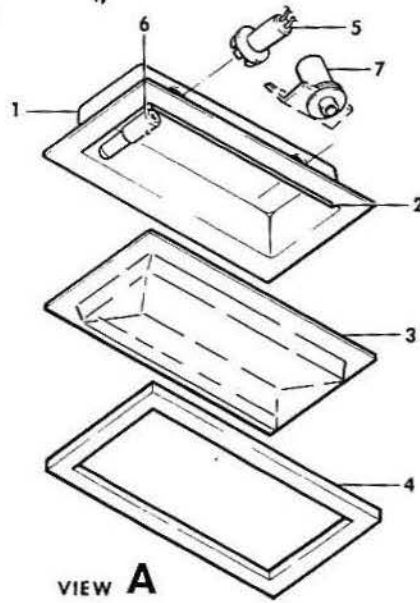
VIEW B



VIEW C



VIEW D



VIEW A

B60-351-2

BEECHCRAFT  
DUKE B60  
ILLUSTRATED PARTS CATALOG

GAMA/ATA CODE & INDEX NO.	PART NO.	DESCRIPTION							UNITS PER ASSY	USABLE ON CODE
		1	2	3	4	5	6	7		
10-01	60-530189	HEADLINER INSTL	.	.	.	.	.	.	NP	
	60-530189-55	HOUSING ASSY, DOME LIGHT	.	.	.	.	.	.	1	
- 1	60-530189-39	HOUSING, DOME LIGHT	.	.	.	.	.	.	1	
- 2	R 60-530189-89	STIFFENER	.	.	.	.	.	.	1	
- 3	60-530189-27	LENS, DOME LIGHT	.	.	.	.	.	.	1	
- 4	60-530189-91	GASKET, DOME LIGHT	.	.	.	.	.	.	1	
- 5	2506	SOCKET, DOME LIGHT	.	.	.	.	.	.	2	
- 6	MS25231-313	BULB, DOME LIGHT	.	.	.	.	.	.	2	
- 7	L18366-3	SWITCH, DOME LIGHT	.	.	.	.	.	.	1	
	96-364090-27	MAP LIGHT INSTL, CONTROL WHEEL/PILOT/	.	.	.	.	.	.	NP	1
	96-364090-28	MAP LIGHT INSTL, CONTROL WHEEL/COPILOT/	.	.	.	.	.	.	NP	
	96-364090-33	MAP LIGHT INSTL, CONTROL WHEEL/PILOT/	.	.	.	.	.	.	NP	2
- 8	96-364090-11	LAMP HOLDER, MAP LIGHT	.	.	.	.	.	.	1	
- 9	1495	BULB, MAP LIGHT	.	.	.	.	.	.	1	
- 10	96-364090-3	BRACKET ASSY, LH MAP LIGHT	.	.	.	.	.	.	1	
	96-364090-4	BRACKET ASSY, RH MAP LIGHT	.	.	.	.	.	.	1	
- 11	96-364090-9	LENS, MAP LIGHT	.	.	.	.	.	.	1	
- 12	L18366-3	SWITCH, LH MAP LIGHT	.	.	.	.	.	.	1	
	L18366-5	SWITCH, RH MAP LIGHT	.	.	.	.	.	.	1	
- 13	101-384082-5	CORD, MAP LIGHT/ALTERNATE FOR 101-384118-1/	.	.	.	.	.	.	1	
	101-384118-1	CORD, MAP LIGHT/ALTERNATE FOR 101-384082-5/	.	.	.	.	.	.	1	
		/ATTACHING PARTS/								
- 14	MS21919DG6	CLAMP	.	.	.	.	.	.	1	
	AN525-8	SCREW	.	.	.	.	.	.	1	
	AN530-8R6	SCREW	.	.	.	.	.	.	1	
- 15	TA1720SS06T	CLAMP	.	.	.	.	.	.	1	
	MS35207-263	SCREW	.	.	.	.	.	.	1	
	AN960-1G	WASHER	.	.	.	.	.	.	1	
	130909N29	NUT	.	.	.	.	.	.	1	
- 16	MS35489-35	GROMMET	.	.	.	.	.	.	1	

CODES OF EFFECTIVITY

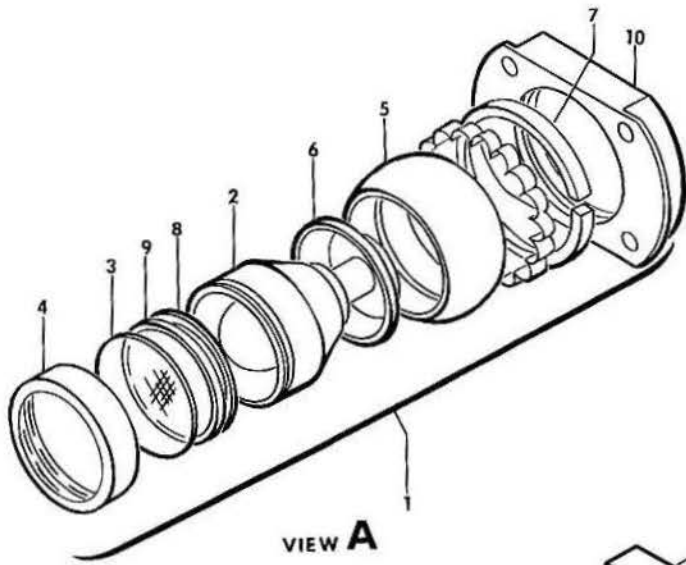
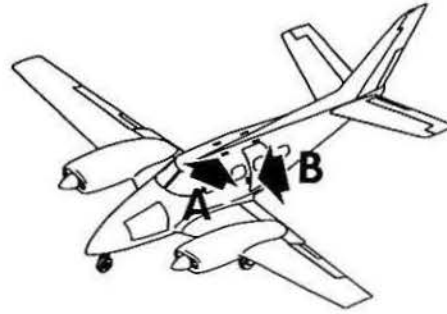
1 P-247 THRU P-400      2 P-401 AND AFTER



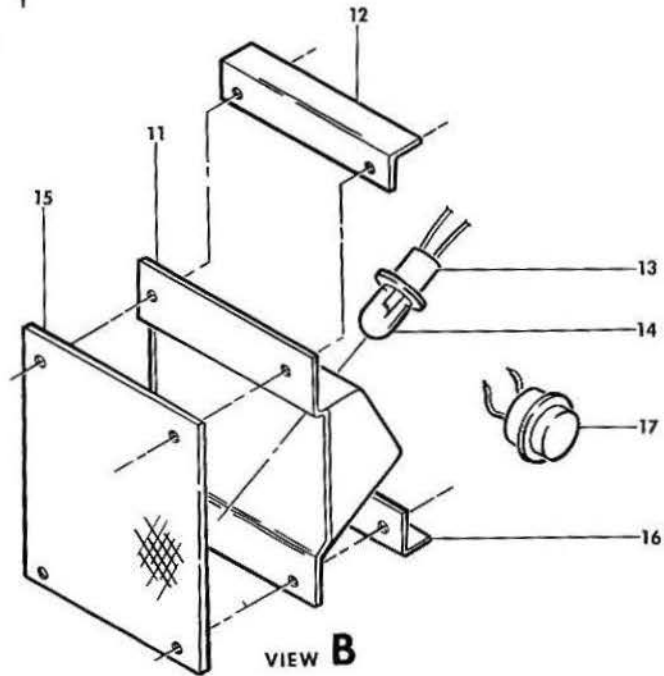
BEECHCRAFT  
DUKE B60  
ILLUSTRATED PARTS CATALOG

33-20-01  
PASSENGER COMPARTMENT LIGHTS

BEECHCRAFT  
DUKE B60  
ILLUSTRATED PARTS CATALOG



VIEW A



VIEW B

860-354-3



B E E C H C R A F T  
DUKE B60  
I L L U S T R A T E D P A R T S C A T A L O G

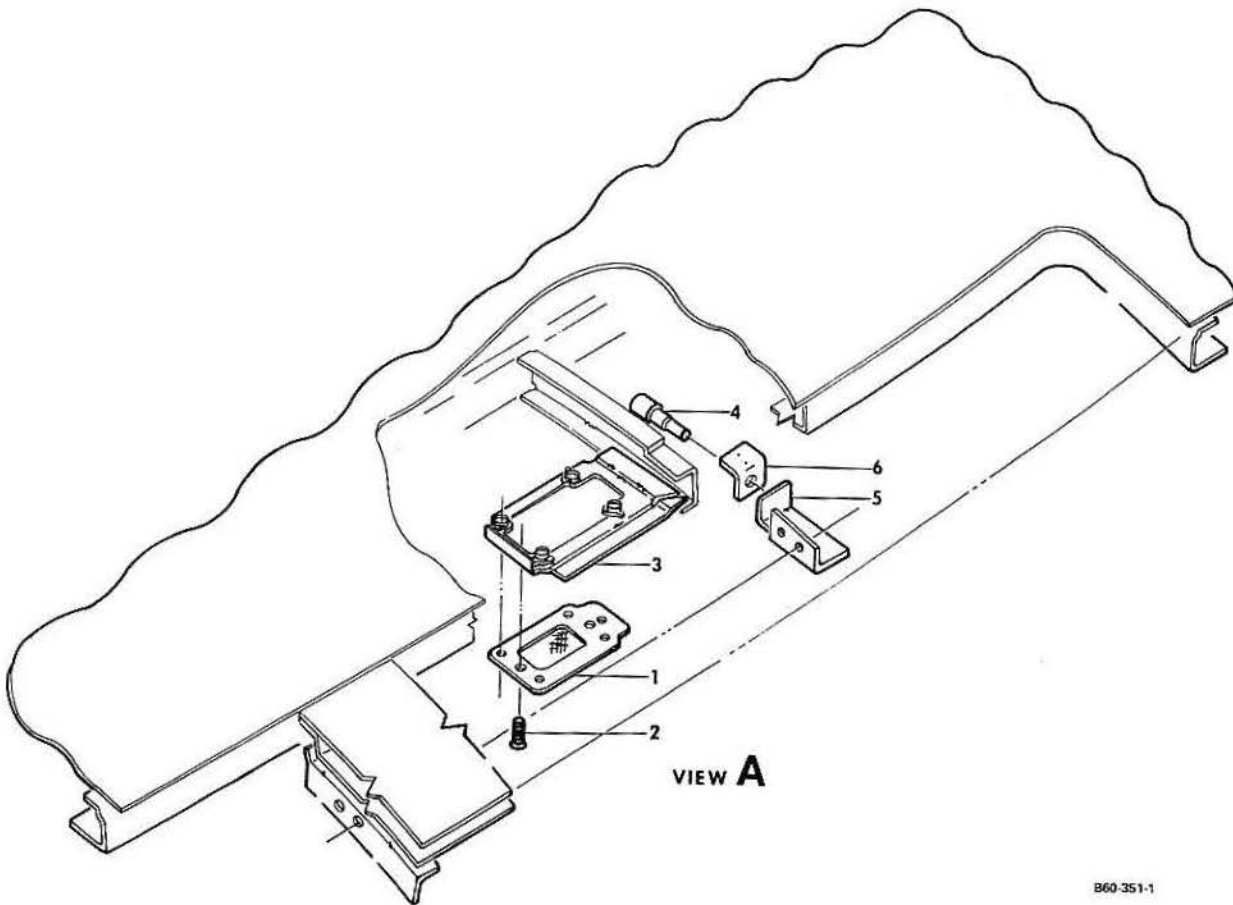
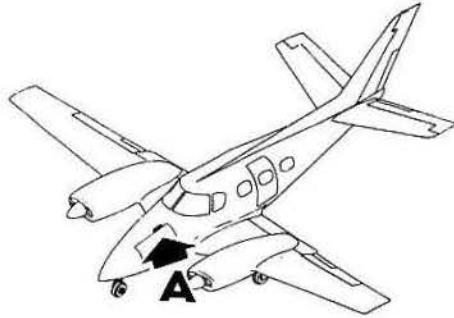
GAMA/ATA CODE & INDEX NO.	PART NO.	DESCRIPTION	1 2 3 4 5 6 7							UNITS PER ASSY	USABLE ON CODE	
			1	2	3	4	5	6	7			
20-01 - 1	2195-501N	LIGHT ASSY,OVERHEAD	.	.	.	.	.	.	.	.	6	
- 2	2191	. REFLECTOR ASSY.	.	.	.	.	.	.	.	.	1	
	1495	. BULB.	.	.	.	.	.	.	.	.	1	
- 3	2189	. LENS.	.	.	.	.	.	.	.	.	1	
- 4	2196	. HOLDER,LENS	.	.	.	.	.	.	.	.	1	
- 5	2197	. BALL.	.	.	.	.	.	.	.	.	1	
- 6	3247	. RING,SNAP	.	.	.	.	.	.	.	.	1	
- 7	3142	. SEAL,FELT	.	.	.	.	.	.	.	.	1	
	3143	. SPRING,MARCEL	.	.	.	.	.	.	.	.	2	
- 8	2194	. WASHER,SNAP	.	.	.	.	.	.	.	.	1	
- 9	2193	. WASHER,MARCEL	.	.	.	.	.	.	.	.	1	
- 10	2204	. FLANGE.	.	.	.	.	.	.	.	.	1	
	7194-1	. PLATE,COVER	.	.	.	.	.	.	.	.	1	
	L18366-3	. SWITCH.	.	.	.	.	.	.	.	.	1	
	60-364027-11	LIGHT INSTL,CABIN ENTRANCE DOOR	.	.	.	.	.	.	.	.	NP	
- 11	60-530084-1	. HOUSING/REFLECTOR/.	.	.	.	.	.	.	.	.	1	
- 12	60-364027-9	. ANGLE	.	.	.	.	.	.	.	.	1	
- 13	2506	. SOCKET.	.	.	.	.	.	.	.	.	1	
- 14	MS25231-313	. BULB.	.	.	.	.	.	.	.	.	1	
- 15	60-530203-347	. LENS.	.	.	.	.	.	.	.	.	1	
- 16	60-364027-7	. ANGLE	.	.	.	.	.	.	.	.	1	
- 17	L18366-3	. SWITCH.	.	.	.	.	.	.	.	.	1	



BEECHCRAFT  
DUKE B60  
ILLUSTRATED PARTS CATALOG

33-30-01  
BAGGAGE COMPARTMENT LIGHT

BEECHCRAFT  
DUKE B60  
ILLUSTRATED PARTS CATALOG



B60-351-1

B E E C H C R A F T  
DUKE B60  
I L L U S T R A T E D P A R T S C A T A L O G

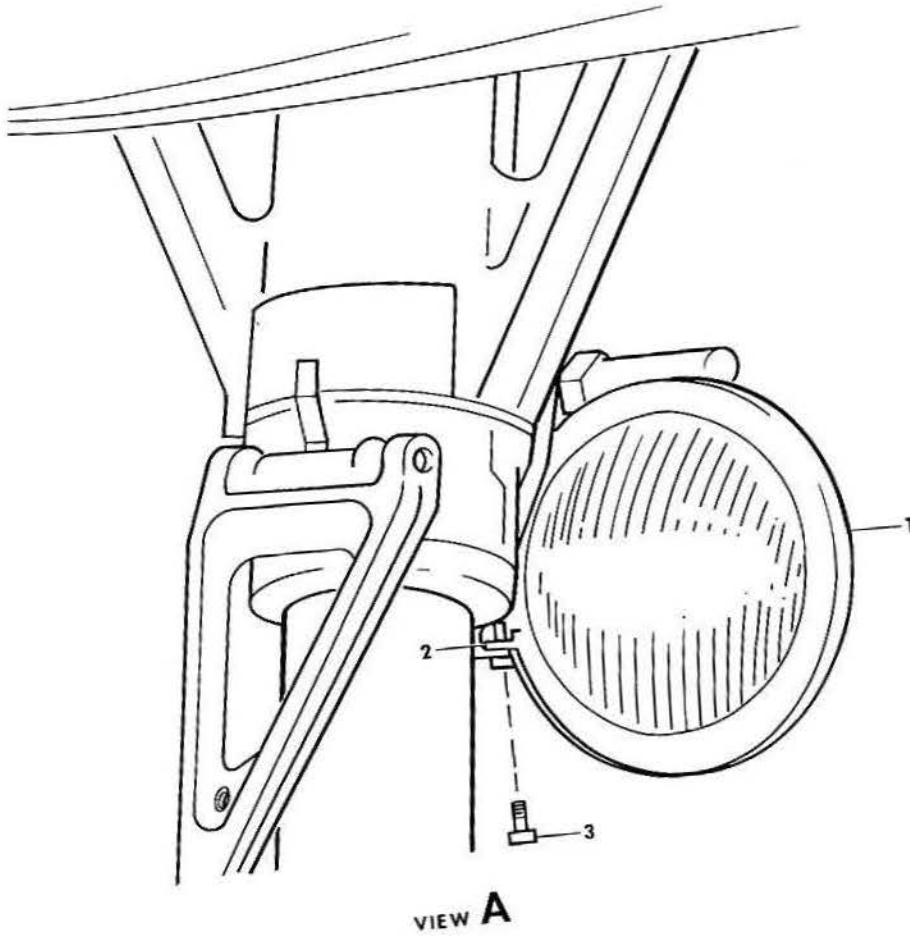
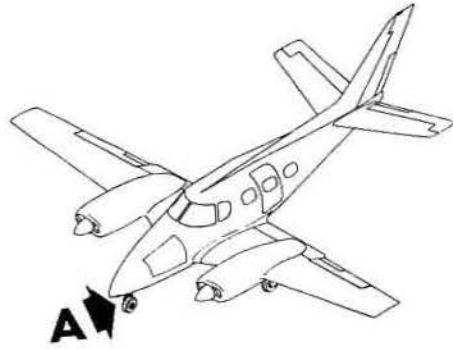
GAMA/ATA CODE & INDEX NO.	PART NO.	DESCRIPTION							UNITS PER ASSY	USABLE ON CODE
		1	2	3	4	5	6	7		
30-01	60-364000	ELECTRICAL EQUIPMENT INSTL,FUSELAGE . . . . .							NP	
- 1	83555A	. LIGHT ASSY,BAGGAGE COMPARTMENT. . . . .							1	
		/ATTACHING PARTS/								
- 2	NAS387-632-6	. SCREW,LENS COVER. . . . .							2	
	AN515-6-7	. SCREW,LIGHT ASSY ATTACHING. . . . .							4	
	AN960-6L	. WASHER. . . . .							4	
		*								
- 3	R MS25232-307	. . . . .							1	
	60-364000-57	. BRACKET ASSY,BAGGAGE COMPARTMENT LIGHT. . . . .							1	
	60-364000-61	. SWITCH INSTL,BAGGAGE COMPARTMENT LIGHT. . . . .							NP	
- 4	C3100L5	. . SWITCH,BAGGAGE COMPARTMENT LIGHT. . . . .							1	
- 5	60-364000-63	. . ACTUATOR,SWITCH . . . . .							1	
- 6	60-364000-65	. . BRACKET,BAGGAGE COMPARTMENT LIGHT SWITCH. . . . .							1	



B E E C H C R A F T  
DUKE 860  
I L L U S T R A T E D P A R T S C A T A L O G

33-40-01  
TAXI LIGHT

BEECHCRAFT  
DUKE B60  
ILLUSTRATED PARTS CATALOG



850-360-2

FIGURE 40-01. TAXI LIGHT



B E E C H C R A F T  
DUKE B60  
I L L U S T R A T E D P A R T S C A T A L O G

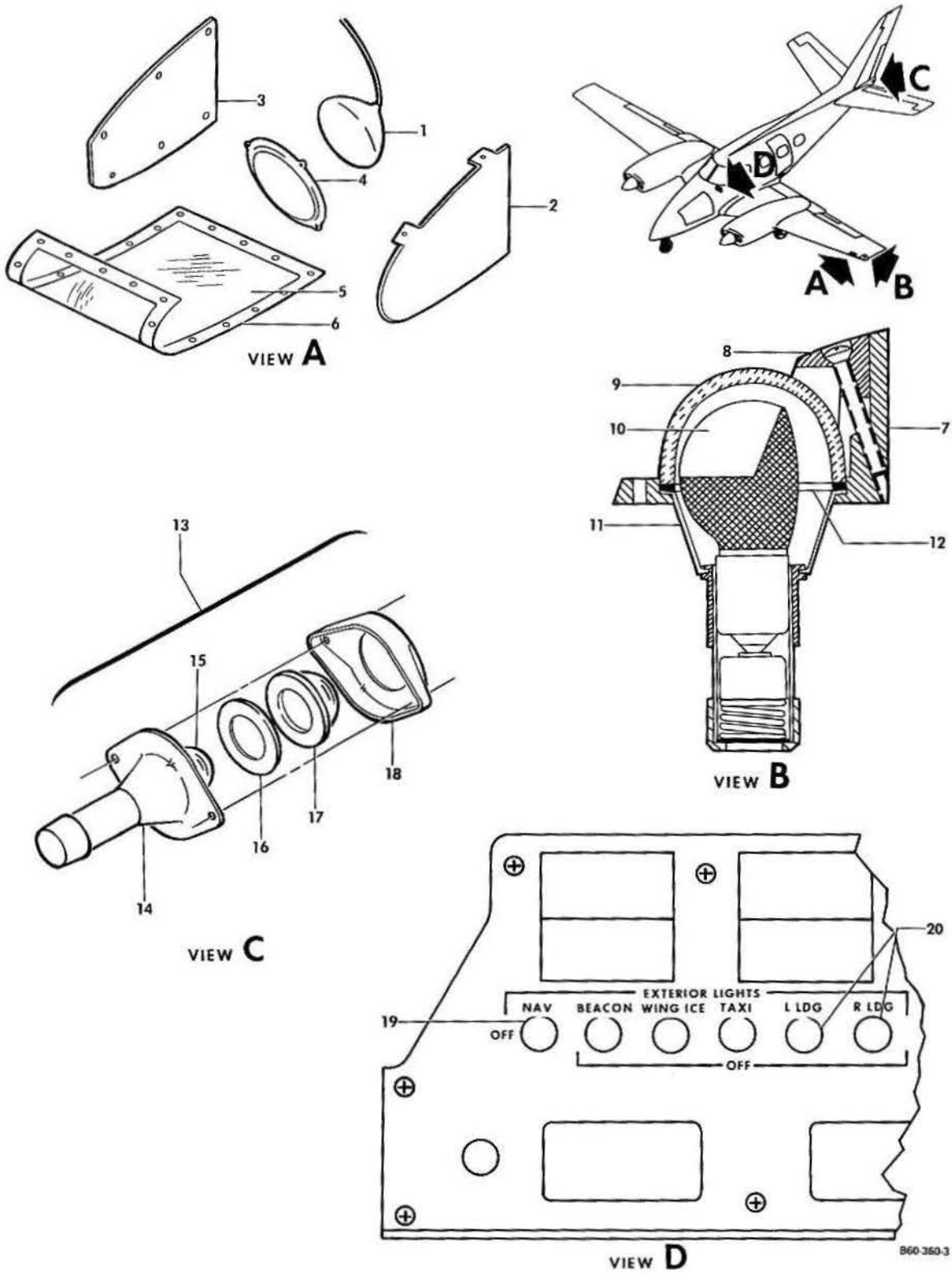
GAMA/ATA CODE & INDEX NO.	PART NO.	DESCRIPTION							UNITS PER ASSY	USABLE ON CODE
		1	2	3	4	5	6	7		
40-01	60-364000	ELECTRICAL EQUIPMENT INSTL,FUSELAGE	.	.	.	.	.	.	NP	
	60-364000-611	. LIGHT ASSY,NOSE WHEEL TAXI.	.	.	.	.	.	.	1	
- 1	AN3176-1	. LIGHT ASSY,NOSE WHEEL TAXI.	.	.	.	.	.	.	1	
	4587	. BULB,TAXI LIGHT	.	.	.	.	.	.	1	
- 2	60-820069-11	. BRACKET,TAXI LIGHT MOUNTING	.	.	.	.	.	.	1	
		/ATTACHING PARTS/								
- 3	AN4-13A	. BOLT.	.	.	.	.	.	.	1	
	AN960-416	. WASHER.	.	.	.	.	.	.	1	
	MS20365-428C	. NUT	.	.	.	.	.	.	1	
		-----*								
	35-380053-654	. SWITCH ASSY	.	.	.	.	.	.	1	
	35-380053-7	. SWITCH.	.	.	.	.	.	.	1	
	35-380052	. KNOB.	.	.	.	.	.	.	1	
	7274-2-10	. CIRCUIT BREAKER	.	.	.	.	.	.	1	



BEECHCRAFT  
DUKE B60  
ILLUSTRATED PARTS CATALOG

33-40-10  
NAVIGATION AND LANDING LIGHTS

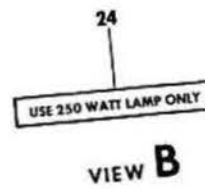
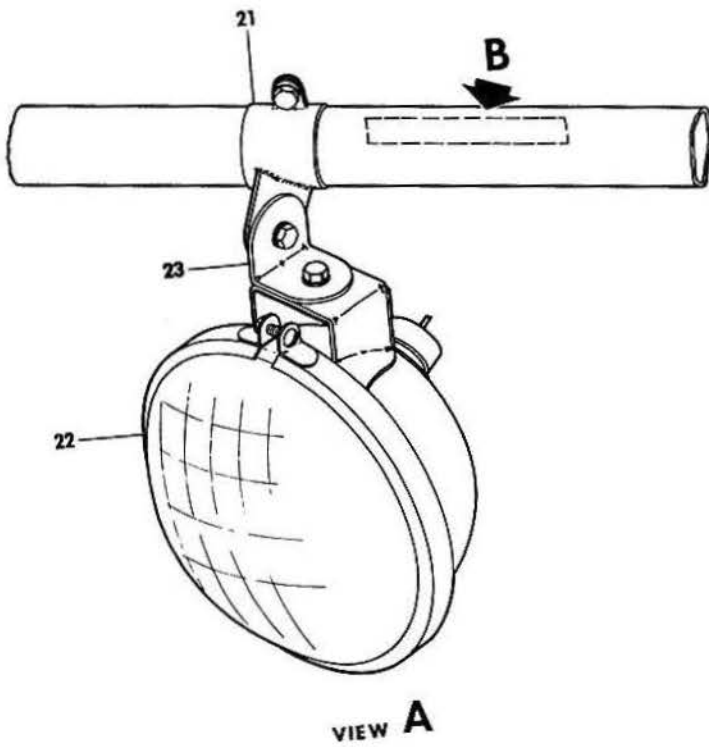
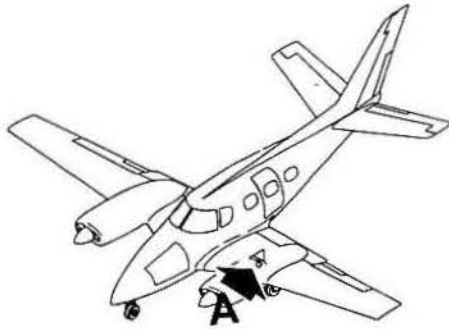
BEECHCRAFT  
DUKE B60  
ILLUSTRATED PARTS CATALOG



B E E C H C R A F T  
DUKE B60  
I L L U S T R A T E D P A R T S C A T A L O G

GAMA/ATA CODE & INDEX NO.	PART NO.	DESCRIPTION	UNITS PER ASSY	USABLE ON CODE
		1 2 3 4 5 6 7		
40-10	60-369000	ELECTRICAL EQUIP INSTL, WING MACELLE AND ENGINE.	NP	
- 1	4596	. BULB. . . . .	1	1
- 2	000-170027-1	. RIB, LANDING LIGHT/LH/ . . . . .	1	1
	000-170027-2	. RIB, LANDING LIGHT/RH/ . . . . .	1	1
- 3	000-170000-39	. REFLECTOR/LH AND RH/ . . . . .	1	1
- 4	000-170026-1	. RETAINER RING/LH AND RH/ . . . . .	1	1
		/ATTACHING PARTS/		
	MS27039-0806	. SCREW . . . . .	4	
	130290-3	. CLIPNUT . . . . .	4	
	AN960-08L	. WASHER. . . . .	4	
		-----		
- 5	000-170028-1	. LENS, LANDING LIGHT/LH/ . . . . .	1	1
	000-170028-2	. LENS, LANDING LIGHT/RH/ . . . . .	1	1
- 6	000-170024-1	. RETAINER, LANDING LIGHT LENS/LH/ . . . . .	1	1
	000-170024-2	. RETAINER, LANDING LIGHT LENS/RH/ . . . . .	1	1
- 7	A1815A-R7512	. LIGHT ASSY, NAVIGATION/RED/ . . . . .	1	
	A1815A-G7512	. LIGHT ASSY, NAVIGATION/GREEN/ . . . . .	1	
		/ATTACHING PARTS/		
	MS2469355	. . SCREW . . . . .	2	
		-----		
- 8	A6177	. . RETAINER, LENS . . . . .	1	
	MS35336-9	. . LOCKWASHER. . . . .	1	
	NAS388-6-16	. . SCREW . . . . .	1	
- 9	A1280-2	. . LENS/RED/ . . . . .	1	
	A1280-3	. . LENS/GREEN/ . . . . .	1	
- 10	A7512-24	. . BULB. . . . .	1	
- 11	A1825	. . HOLDER ASSY, LAMP. . . . .	1	
- 12	A1257A	. . GASKET, LENS . . . . .	1	
	000-170000-37	. . HARNESS, NAVIGATION LIGHT/RED/ . . . . .	1	
	000-170000-38	. . HARNESS, NAVIGATION LIGHT/GREEN/ . . . . .	1	
	60-364000	ELECTRICAL EQUIPMENT INSTL, FUSELAGE	NP	
- 13	A2064-1683	. LIGHT ASSY, TAIL . . . . .	1	
- 14	A-3510	. . BASE AND LAMPHOLDER ASSY. . . . .	1	
- 15	1203	. . BULB. . . . .	1	
- 16	A2109-3	. . GASKET. . . . .	1	
- 17	A4513-1	. . LENS CLEAR. . . . .	1	
- 18	A2108	. . RETAINER. . . . .	1	
- 19	35-380053-19	. SWITCH, NAVIGATION LIGHTS. . . . .	1	
	35-380052	. KNOB. . . . .	1	
- 20	35-380053-654	. SWITCH ASSY, LANDING LIGHTS. . . . .	2	
	35-380053-7	. SWITCH. . . . .	1	
	35-380052	. . KNOB, SWITCH . . . . .	1	
	7274-2-10	. CIRCUIT BREAKER/LH AND RH LANDING LIGHT/ . . . . .	2	
	7274-2-5	. CIRCUIT BREAKER/NAVIGATION LIGHTS/ . . . . .	1	

BEECHCRAFT  
DUKE B60  
ILLUSTRATED PARTS CATALOG



B60-360-4

B E E C H C R A F T  
DUKE B60  
I L L U S T R A T E D P A R T S C A T A L O G

GAMA/ATA CODE & INDEX NO.	PART NO.	DESCRIPTION							UNITS PER ASSY	USABLE ON CODE
		1	2	3	4	5	6	7		
40-10	60-369000-139	LANDING LIGHT INSTALLATION,LH	.	.	.	.	.	.	NP	2
	60-369000-140	LANDING LIGHT INSTALLATION,RH	.	.	.	.	.	.	NP	2
- 21	60-369000-141	. BRACKET ASSY,LH	.	.	.	.	.	.	1	2
	60-369000-142	. BRACKET ASSY,RH	.	.	.	.	.	.	1	2
		/ATTACHING PARTS/								
	130909835	. BOLT.	.	.	.	.	.	.	1	
	AN960-416L	. WASHER.	.	.	.	.	.	.	2	
	MS21042-4	. NUT	.	.	.	.	.	.	1	
		*-----*								
- 22	60-369000-147	. LIGHT ASSY.	.	.	.	.	.	.	1	2
		/ATTACHING PARTS/								
	MS35335-33	. WASHER.	.	.	.	.	.	.	3	
- 23	60-369000-145	. ANGLE	.	.	.	.	.	.	1	
	AN4-5A	. BOLT.	.	.	.	.	.	.	1	
	MS21042-4	. NUT	.	.	.	.	.	.	1	
	AN960-416	. WASHER.	.	.	.	.	.	.	1	
	AN960-416L	. WASHER.	.	.	.	.	.	.	1	
		*-----*								
	4596	. . LAMP.	.	.	.	.	.	.	1	2
- 24	60-369039-3	DECAL,INSTRUCTION LANDING LIGHT	.	.	.	.	.	.	1	2

CODES OF EFFECTIVITY

1 P-247 THRU P-347,      2 P-348,P-365 & AFTER  
P-349 THRU P-364

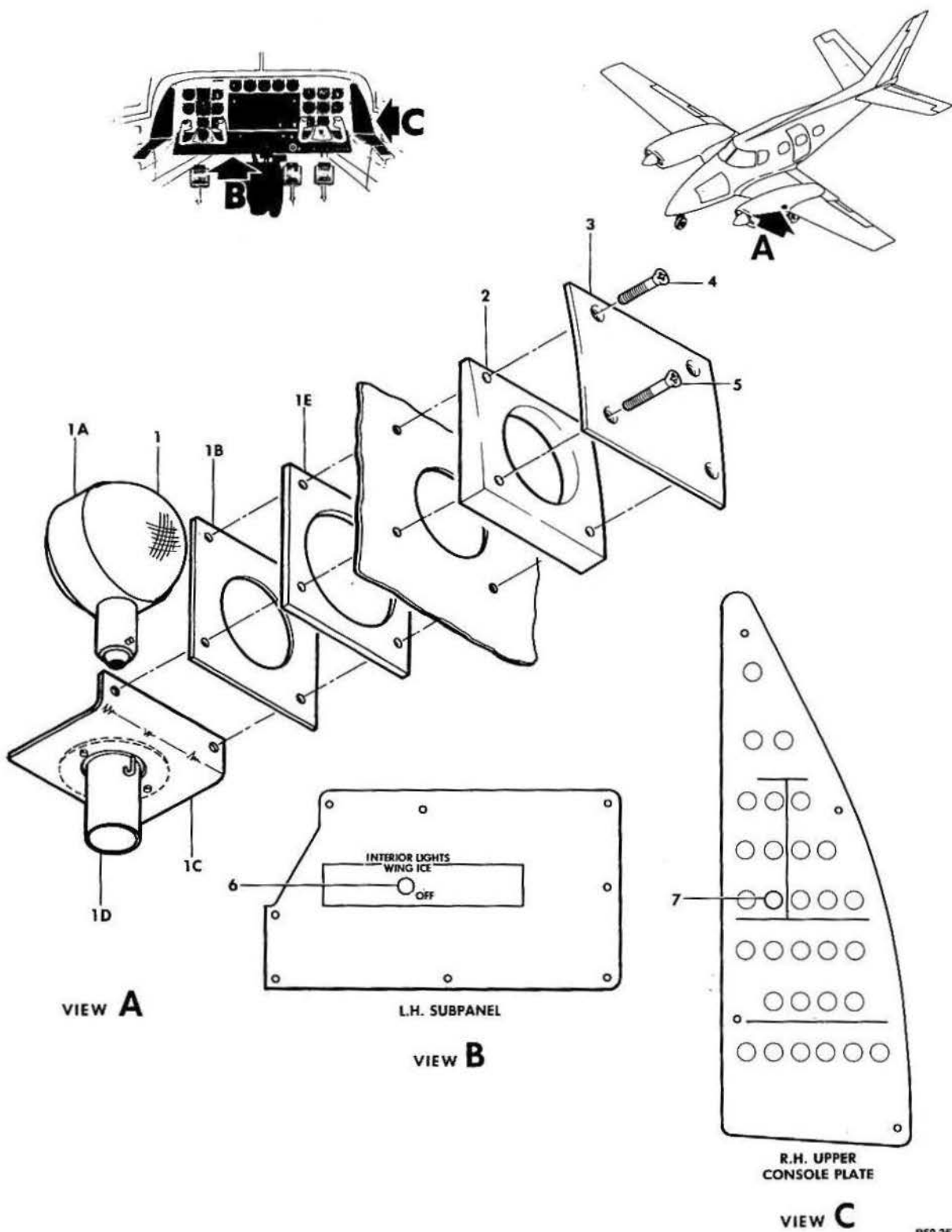




BEECHCRAFT  
DUKE 860  
ILLUSTRATED PARTS CATALOG

33-40-20  
WING ICE LIGHT

BEECHCRAFT  
DUKE B60  
ILLUSTRATED PARTS CATALOG



B60-367-2

B E E C H C R A F T  
DUKE B60  
I L L U S T R A T E D P A R T S C A T A L O G

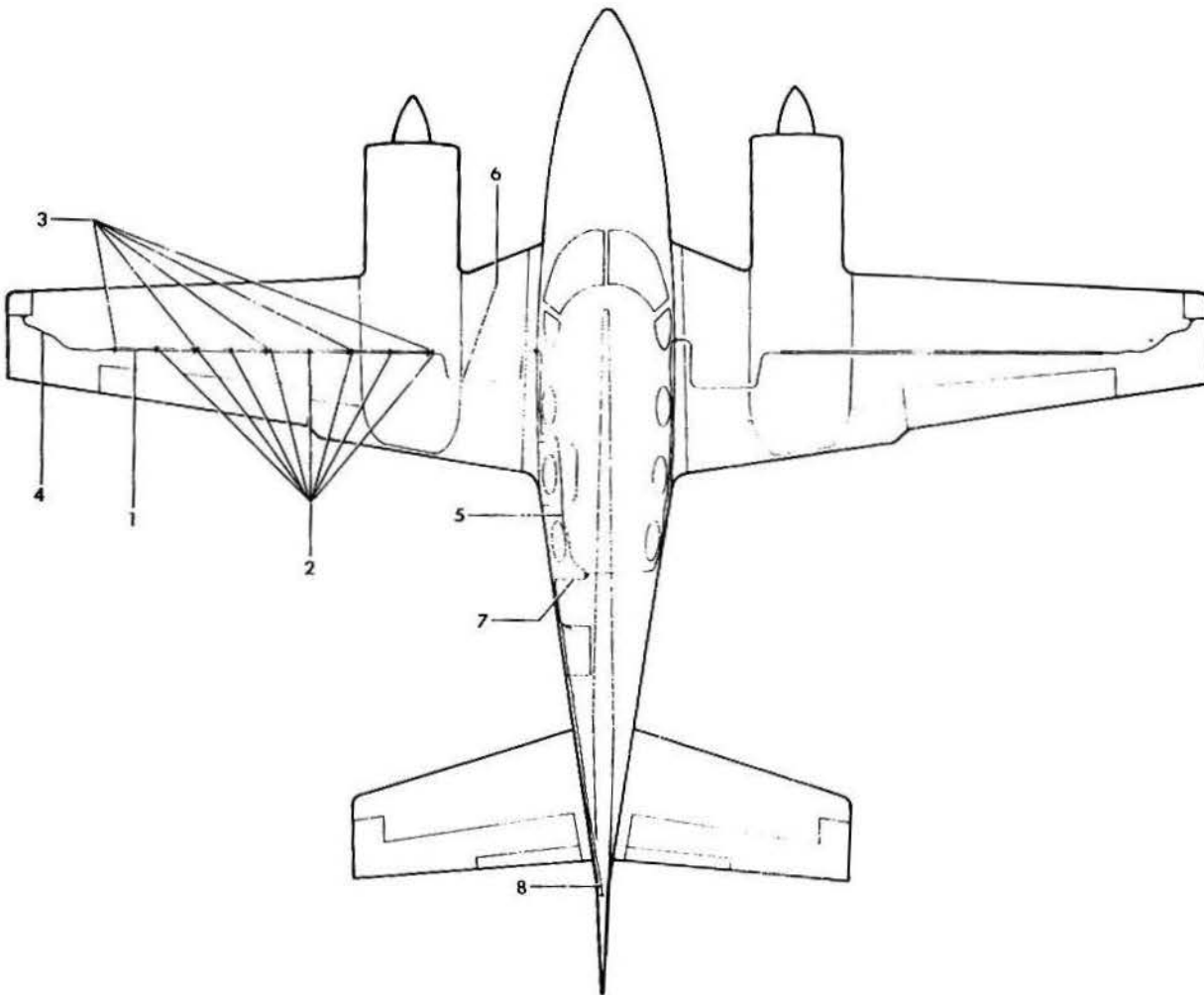
GAMA/ATA CODE & INDEX NO.	PART NO.	DESCRIPTION	UNITS PER ASSY							USABLE ON CODE
			1	2	3	4	5	6	7	
40-20	R 60-361011-1	LIGHT INSTL, WING ICE. . . . .								NP
	002-361010-15	. LIGHT/SPARES FOR MS2531B-1/ . . . . .								1
- 1	002-361010-7	. . LENS. . . . .								1
- 1A	A70798-24	. . LAMP. . . . .								1
	002-361010-11	. . LIGHT MOUNT ASSY. . . . .								1
- 1B	002-361010-5	. . . RETAINER. . . . .								1
- 1C	002-361010-9	. . . BRACKET . . . . .								1
- 1D	25047SC	. . . LAMP SOCKET INDEX . . . . .								1
- 1E	002-361010-13	. . . SPACER. . . . .								1
	MS21071L06	. . . NUT PLATE . . . . .								2
	MS21073L06	. . . NUT PLATE . . . . .								2
- 2	60-361012-1	. SPACER. . . . .								1
- 3	60-361011-5	. WINDOW, ICE LIGHT. . . . .								1
- 4	MS24693S32	. SCREW . . . . .								2
- 5	MS24693S30	. SCREW . . . . .								2
- 6	35-380053-654	. SWITCH ASSY . . . . .								1
	35-380053-7	. . SWITCH. . . . .								1
	35-380052	. . KNOB, SWITCH . . . . .								1
- 7	07274-2-5	. CIRCUIT BREAKER . . . . .								1



BEECHCRAFT  
DUKE B60  
ILLUSTRATED PARTS CATALOG

33-40-31  
STROBE LIGHTS

BEECHCRAFT  
DUKE B60  
ILLUSTRATED PARTS CATALOG

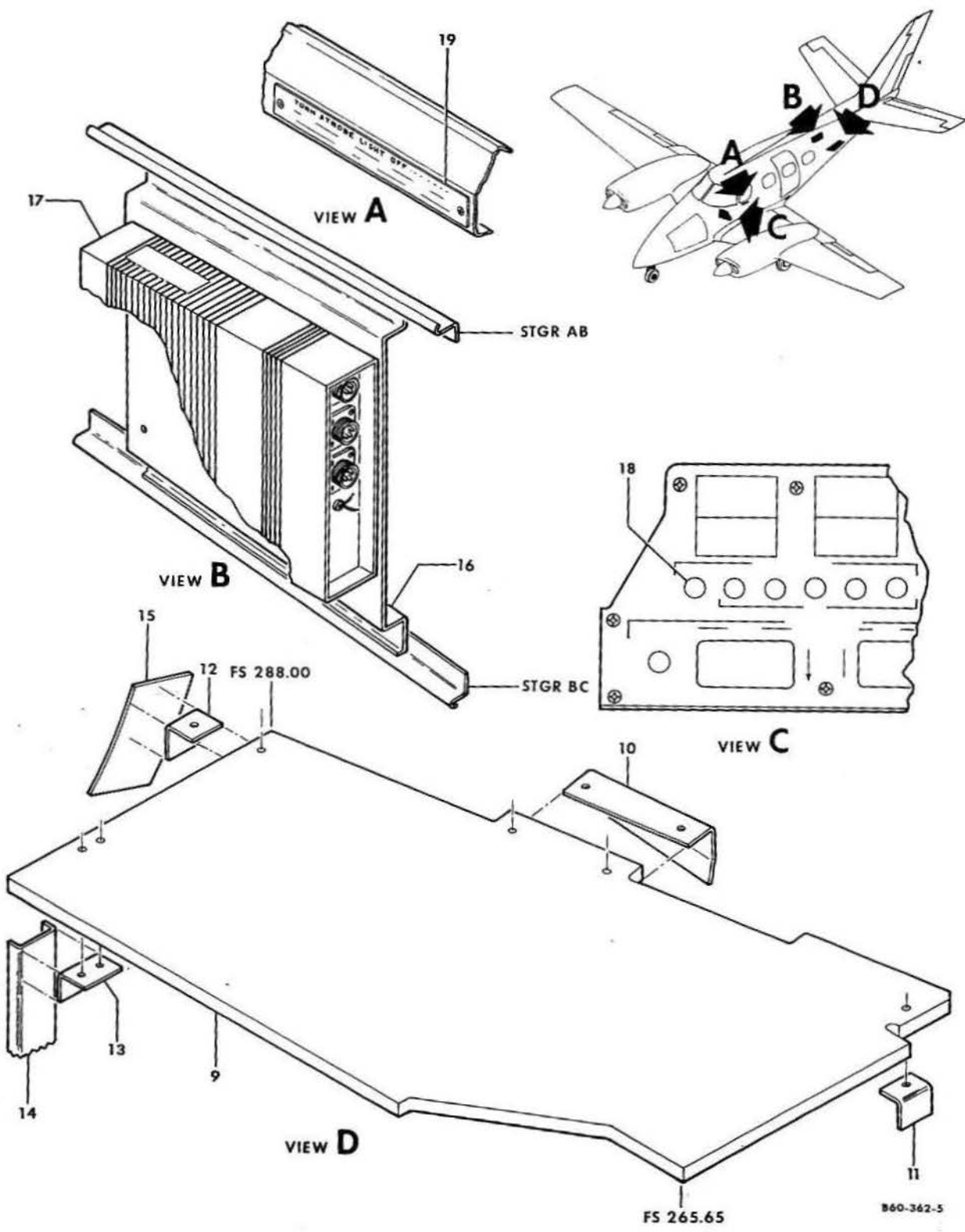


B60-362-4

B E E C H C R A F T  
DUKE B60  
I L L U S T R A T E D P A R T S C A T A L O G

GAMA/ATA CODE & INDEX NO.	PART NO.	DESCRIPTION							UNITS PER ASSY	USABLE ON CODE
		1	2	3	4	5	6	7		
40-31	60-360017-39	LIGHT INSTL,STROBE/WITH 60-500000 AUTOPILOT/.							NP	1
	60-360017-41	LIGHT INSTL,STROBE/WITH BENDIX M-4C AUTOPILOT/.							NP	1
	60-360017-43	LIGHT INSTL,STROBE/WITH B-5P AUTOPILOT OR NO. . AUTOPILOT AT ALL/							NP	1
	60-360017-57	LIGHT INSTL,STROBE/WITH 1980 STRUCTURE CHANGES/							NP	2
	60-360017-29	CONDUIT INSTL,WING/WS66.000 TO WS175.281/ . .							NP	
- 1	60-360017-31	CONDUIT/111.3 INCHES LONG/ . . . . .							1	
- 2	115005-2	GROMMET . . . . .							8	
- 3	766-8	CLAMP . . . . .							5	
		/ATTACHING PARTS/								
	MS35206-245	SCREW . . . . .							5	
	AN960-8L	WASHER . . . . .							5	
	MS21044D08	NUT . . . . .							5	
		-----*								
	58-360028-37	CONDUIT INSTL,LH WING/WS175.281 TO WS217.000/							NP	
	58-360028-38	CONDUIT INSTL,RH WING/WS175.281 TO WS217.000/							NP	
- 4	130936N8LH0300	CONDUIT/LENGTH AS REQUIRED/ . . . . .							1	
	109611	CLIP . . . . .							1	
	LHMS-510	MOUNT . . . . .							2	
		/ATTACHING PARTS/								
	MS35219-56	SCREW . . . . .							2	
	AN960PD10	WASHER . . . . .							2	
	MS21083D3	NUT . . . . .							2	
		-----*								
	MS3367-1-9	STRAP . . . . .							1	
	MS21919DG8	CLAMP . . . . .							2	
		/ATTACHING PARTS/								
	MS35219-43	SCREW . . . . .							2	
	AN960PD8	WASHER . . . . .							2	
	MS21083D08	NUT . . . . .							2	
		-----*								
- 5	60-360017-51	HARNES ASSY,STROBE LIGHT/WING-FUSELAGE/ . .							1	6
	60-360017-25	HARNES ASSY,STROBE LIGHT/WING-FUSELAGE/ . .							1	5
	PT07E-14-5S	CONNECTOR . . . . .							2	6
	MS3114F-12-3S	CONNECTOR . . . . .							2	5
	MS3114F-18-11S	CONNECTOR . . . . .							1	
	M7078-3-16-3	CABLE . . . . .							AR	9
	8618	CABLE . . . . .							AR	8
- 6	60-360017-53	CABLE ASSY,STROBE LIGHT/LH & RH WING/ . . . .							2	6
	60-360017-27	CABLE ASSY,STROBE LIGHT/LH & RH WING/ . . . .							2	5
	PT06E-14-5P	CONNECTOR . . . . .							1	6
	MS3116E-12-3P	CONNECTOR . . . . .							1	5
	CA3106E10SL3SF80	CONNECTOR . . . . .							1	6
	PT06E-14-5P	CONNECTOR . . . . .							1	5
	M7078-3-16-3	CABLE . . . . .							AR	9
	8618	CABLE . . . . .							AR	8
- 7	60-360017-23	HARNES ASSY,STROBE LIGHT/FUSELAGE/ . . . .							1	
	MS3116E-18-11P	CONNECTOR . . . . .							1	
	MS3108ER-10SL-3S	CONNECTOR . . . . .							1	
	M7078-3-16-3	CABLE . . . . .							AR	9
	8618	CABLE . . . . .							AR	8
	32448	SPLICE,KNIFE . . . . .							1	
- 8	60-360017-21	CABLE ASSY,STROBE LIGHT/FUSELAGE/ . . . .							1	
	MS3106ER-10SL-3S	CONNECTOR . . . . .							1	
	MS3108ER-10SL-3S	CONNECTOR . . . . .							1	
	M7078-3-16-3	CABLE . . . . .							AR	9
	8618	CABLE . . . . .							AR	8

BEECHCRAFT  
DUKE B60  
ILLUSTRATED PARTS CATALOG

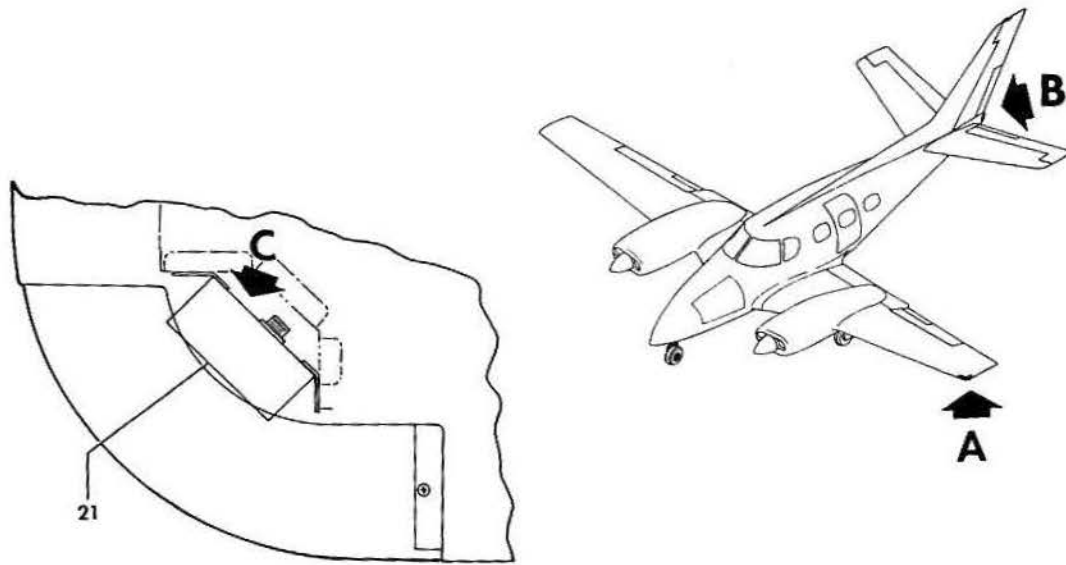




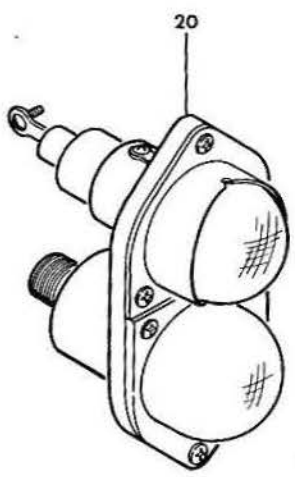
B E E C H C R A F T  
DUKE B60  
I L L U S T R A T E D P A R T S C A T A L O G

GAMA/ATA CODE & INDEX NO.	PART NO.	DESCRIPTION							UNITS PER ASSY	USABLE ON CODE	
		1	2	3	4	5	6	7			
40-31	A1437	. .	. .	. .	. .	. .	. .	. .	1	7	
	102-360017-7	. .	. .	. .	. .	. .	. .	. .	1	7	
	60-440021-1	. .	. .	. .	. .	. .	. .	. .	NP	1	
	60-440023	. .	. .	. .	. .	. .	. .	. .	NP	1	
	60-340075-3	. .	. .	. .	. .	. .	. .	. .	NP	1	
	- 9	60-440021-7	. .	. .	. .	. .	. .	. .	. .	1	1
		60-440023-1	. .	. .	. .	. .	. .	. .	. .	1	1
		130675	. .	. .	. .	. .	. .	. .	. .	10	
		NAS220-13	. .	. .	. .	. .	. .	. .	. .	14	
	- 10	AN960-8	. .	. .	. .	. .	. .	. .	. .	AR	
130909N28		. .	. .	. .	. .	. .	. .	. .	AR		
60-440021-11		. .	. .	. .	. .	. .	. .	. .	1	1	
60-440023-5		. .	. .	. .	. .	. .	. .	. .	1	1	
- 11		60-440021-13	. .	. .	. .	. .	. .	. .	1	1	
- 12		60-440021-15	. .	. .	. .	. .	. .	. .	1	1	
60-440023-7		. .	. .	. .	. .	. .	. .	. .	1	1	
- 13		60-440021-57	. .	. .	. .	. .	. .	. .	1	1	
- 14		60-440021-59	. .	. .	. .	. .	. .	. .	1	1	
- 15		60-440021-61	. .	. .	. .	. .	. .	. .	1	1	
- 16	60-360017-65	. .	. .	. .	. .	. .	. .	. .	NP	2	
	60-360017-61	. .	. .	. .	. .	. .	. .	. .	1	2	
	60-360017-59	. .	. .	. .	. .	. .	. .	. .	1	2	
	MS21059L3	. .	. .	. .	. .	. .	. .	. .	4		
- 17	60-1750-3	. .	. .	. .	. .	. .	. .	. .	1		
	701571	. .	. .	. .	. .	. .	. .	. .	1		
	MS35207-263	. .	. .	. .	. .	. .	. .	. .	4		
	130909B15	. .	. .	. .	. .	. .	. .	. .	4		
	MS35333-39	. .	. .	. .	. .	. .	. .	. .	4		
- 18	AN960-10	. .	. .	. .	. .	. .	. .	. .	4		
	35-380053-3	. .	. .	. .	. .	. .	. .	. .	1		
- 19	35-380052	. .	. .	. .	. .	. .	. .	. .	1		
	60-360020-1	. .	. .	. .	. .	. .	. .	. .	1	4	
	NAS387-632-6P	. .	. .	. .	. .	. .	. .	. .	2		
	AN960D6L	. .	. .	. .	. .	. .	. .	. .	2		
	MS21083D06	. .	. .	. .	. .	. .	. .	. .	2		

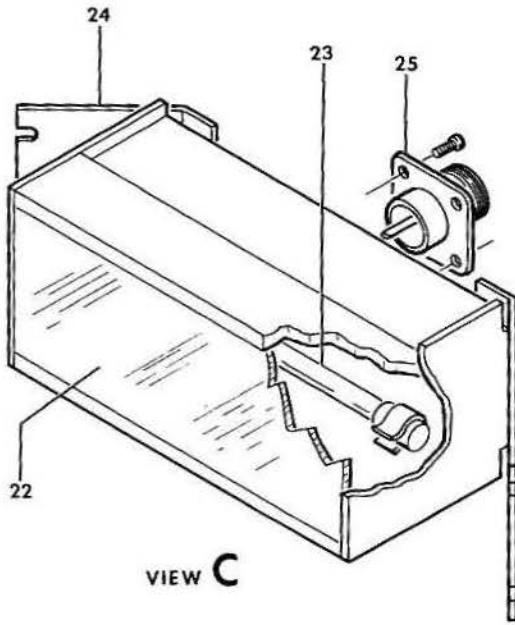
BEECHCRAFT  
DUKE B60  
ILLUSTRATED PARTS CATALOG



VIEW A



VIEW B



VIEW C

860-362-6

B E E C H C R A F T  
DUKE B60  
I L L U S T R A T E D P A R T S C A T A L O G

GAMA/ATA CODE & INDEX NO.	PART NO.	DESCRIPTION							UNITS PER ASSY	USABLE ON CODE
		1	2	3	4	5	6	7		
40-31	60-440019-615	.	.	.	.	.	.	.	1	
- 20	30-0530-5	.	.	.	.	.	.	.	1	
	31-0725-1	.	.	.	.	.	.	.	1	
	A4513	.	.	.	.	.	.	.	1	
	MS3102A-10SL-3P	.	.	.	.	.	.	.	1	
	A1257A	.	.	.	.	.	.	.	1	
- 21	30-1331-3	.	.	.	.	.	.	.	2	
	701148-7-2	.	.	.	.	.	.	.	2	
		.	.	.	.	.	.	.		
	MS16997-31	.	.	.	.	.	.	.	4	
	AN960-8L	.	.	.	.	.	.	.	4	
- 22	25-0491-1	.	.	.	.	.	.	.	1	
	202065	.	.	.	.	.	.	.	1	
- 23	55-0221-1	.	.	.	.	.	.	.	1	
	202331	.	.	.	.	.	.	.	1	
- 24	31-3908-1	.	.	.	.	.	.	.	2	
	203422	.	.	.	.	.	.	.	2	
- 25	30-1467-101	.	.	.	.	.	.	.	1	
	MS3102A105L-3P	.	.	.	.	.	.	.	1	

C O D E S O F E F F E C T I V I T Y

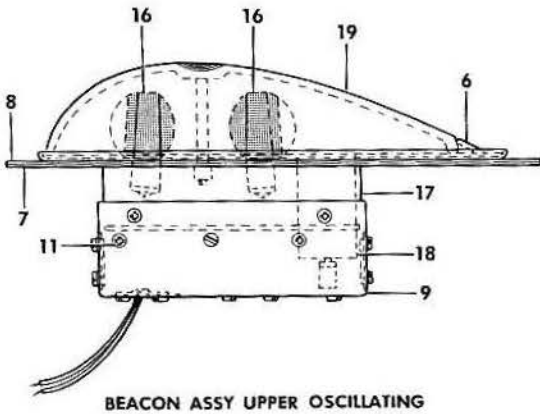
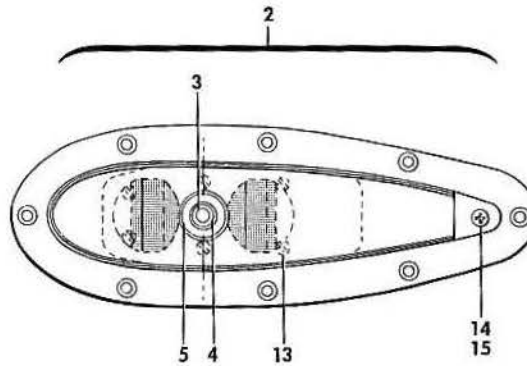
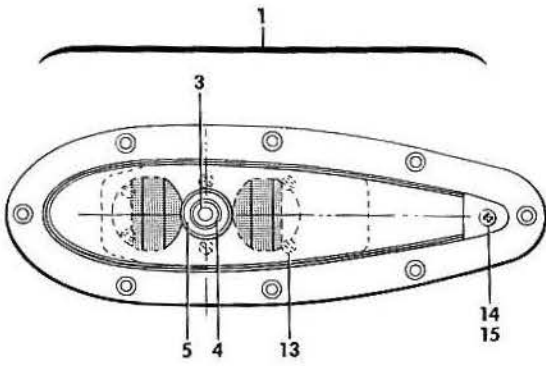
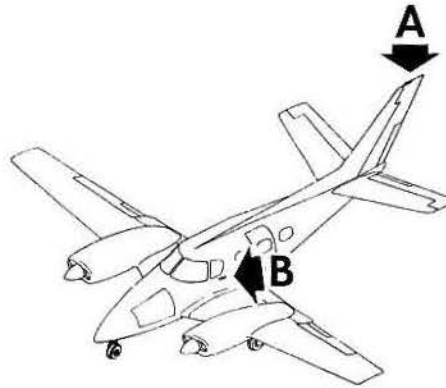
1	P-247 THRU P-512	2	P-513 AND AFTER
3	DELETED	4	P-479 AND AFTER
5	P-247 THRU P-442	6	P-443 AND AFTER
7	P-433 THRU P-471	8	P-247 THRU P-399
9	P-400 AND AFTER		



BEECHCRAFT  
DUKE B60  
ILLUSTRATED PARTS CATALOG

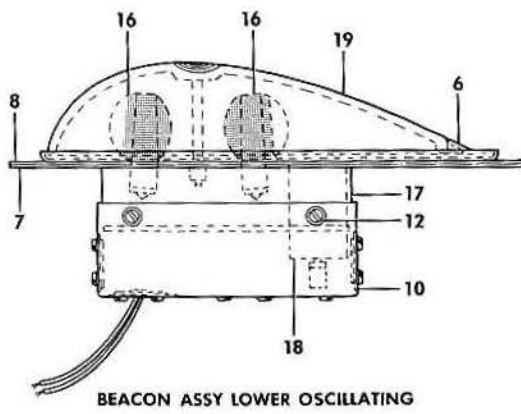
33-40-40  
OSCILLATING BEACONS

BEECHCRAFT  
DUKE B60  
ILLUSTRATED PARTS CATALOG



BEACON ASSY UPPER OSCILLATING

VIEW A



BEACON ASSY LOWER OSCILLATING

VIEW B

B60-361-2

B E E C H C R A F T  
DUKE B60  
I L L U S T R A T E D P A R T S C A T A L O G

GAMA/ATA CODE & INDEX NO.	PART NO.	DESCRIPTION	UNITS							USABLE ON CODE	
			1	2	3	4	5	6	7		
40-40	60-364000	ELECTRICAL EQUIPMENT INSTL,FUSELAGE . . . . .								NP	
- 1	60-364000-49	. LIGHT ASSY,OSCILLATING BEACON/UPPER/. . . . .								1	
- 2	40-0100-3	. LIGHT ASSY,OSCILLATING BEACON/LOWER/. . . . .								1	
- 3	AN56506H4	. . SET SCREW,LENS RETAINING. . . . .								1	
- 4	13731-3	. . SCREW,LENS RETAINING. . . . .								1	
- 5	13737	. . WASHER,LENS . . . . .								1	
- 6	12613-1	. . CLIP,LENS RETAINING . . . . .								1	
- 7	36112	. . GASKET. . . . .								1	
- 8	34300-9	. . PLATE ASSY,MOUNTING . . . . .								1	
- 9	41-0832-3	. . MECHANISM ASSY/UPPER/ . . . . .								1	
- 10	41-0832-1	. . MECHANISM ASSY/LOWER/ . . . . .								1	
- 11	MS24693S25	. . SCREW,MECHANISM ATTACHING/UPPER/. . . . .								8	
- 12	MS35223-27	. . SCREW,MECHANISM ATTACHING/LOWER/. . . . .								4	
- 13	MS35223-28	. . SCREW,COVER ATTACHING . . . . .								6	
- 14	LP507-1032R6	. . SCREW,LENS CLIP . . . . .								1	
- 15	MS35333-73	. . LOCK WASHER . . . . .								1	
- 16	A7079B24	. . BULB,LIGHT. . . . .								2	
- 17	33793-11	. . COVER,MECHANISM . . . . .								1	
- 18	55-0069-1	. . MOTOR,BEACON LIGHT. . . . .								1	
- 19	09961-3	. . COVER ASSY,BEACON LIGHT . . . . .								1	
	35-380053-654	SWITCH ASSY/OSCILLATING BEACONS/. . . . .								1	
	35-380053-7	. SWITCH. . . . .								1	
	35-380052	. KNOB. . . . .								1	
	7274-2-10	CIRCUIT BREAKER/OSCILLATING BEACONS/. . . . .								1	

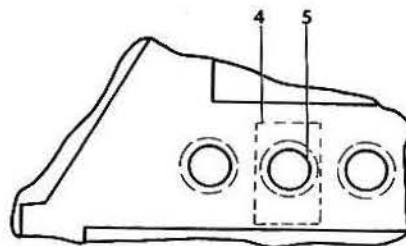
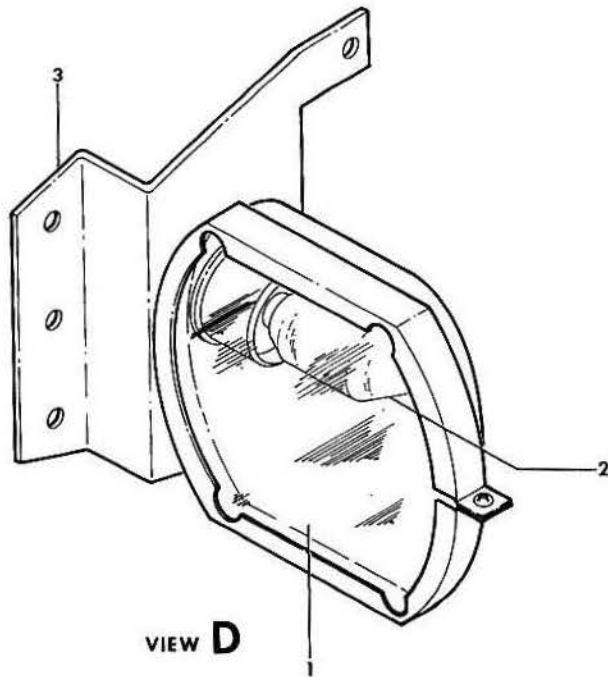
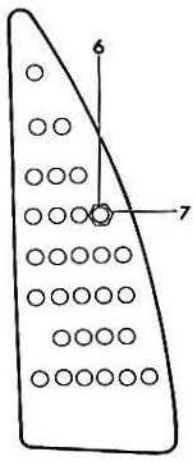
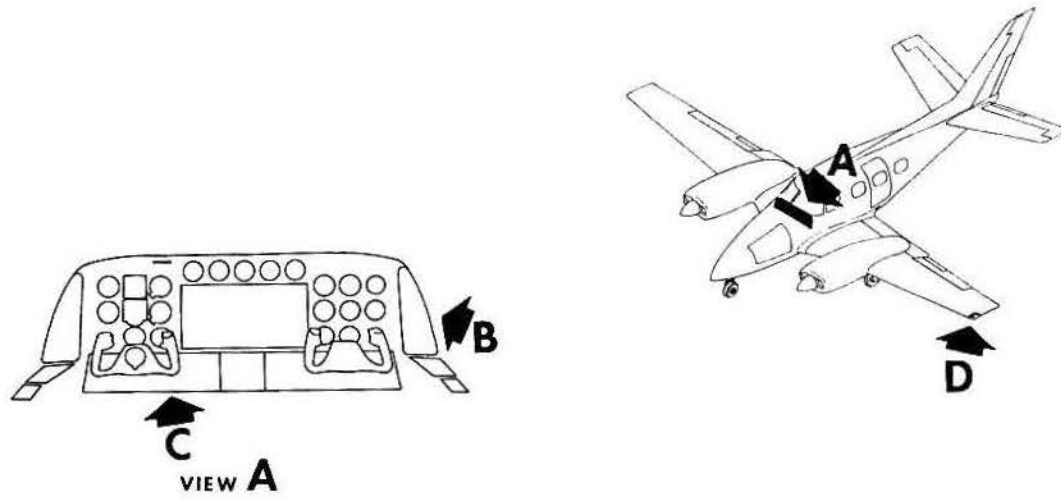




B E E C H C R A F T  
DUKE B60  
I L L U S T R A T E D P A R T S C A T A L O G

33-40-50  
WING TIP RECOGNITION LIGHT  
P-386,P-401 & AFTER

BEECHCRAFT  
DUKE B60  
ILLUSTRATED PARTS CATALOG



B60-368-1

BEECHCRAFT  
DUKE B60  
ILLUSTRATED PARTS CATALOG

GAMA/ATA CODE & INDEX NO.	PART NO.	DESCRIPTION							UNITS PER ASSY	USABLE ON CODE
		1	2	3	4	5	6	7		
40-50	101-361079-11	WING TIP RECOGNITION LIGHT INSTALLATION . . . . .							NP	1
	30-1095-9	. LH LIGHT ASSY . . . . .							1	1
	30-1095-10	. RH LIGHT ASSY . . . . .							1	1
		/ATTACHING PARTS/								
	MS35206-331	. SCREW . . . . .							2	
	MS35206-243	. SCREW . . . . .							2	
	AN960-8L	. WASHER . . . . .							4	
		↓								
- 1	31-3912-1	. . LENS ASSY . . . . .							1	1
- 2	R DN25-3	. . LAMP . . . . .							1	1
	MS35206-227	. . SCREW . . . . .							2	1
- 3	31-3913-5	. . LAMPHOLDER ASSY,LH. . . . .							1	1
	31-3913-6	. . LAMPHOLDER ASSY,RH. . . . .							1	1
- 4	35-380053-3	. SWITCH. . . . .							1	1
- 5	35-380052	. KNOB. . . . .							1	1
- 6	7277-2-10	. CIRCUIT BREAKER . . . . .							1	1
- 7	7986-25	. NUT . . . . .							1	1

CODES OF EFFECTIVITY

1 P-386,P-401 & AFTER

