

B E E C H C R A F T
DUKE B60
I L L U S T R A T E D P A R T S C A T A L O G

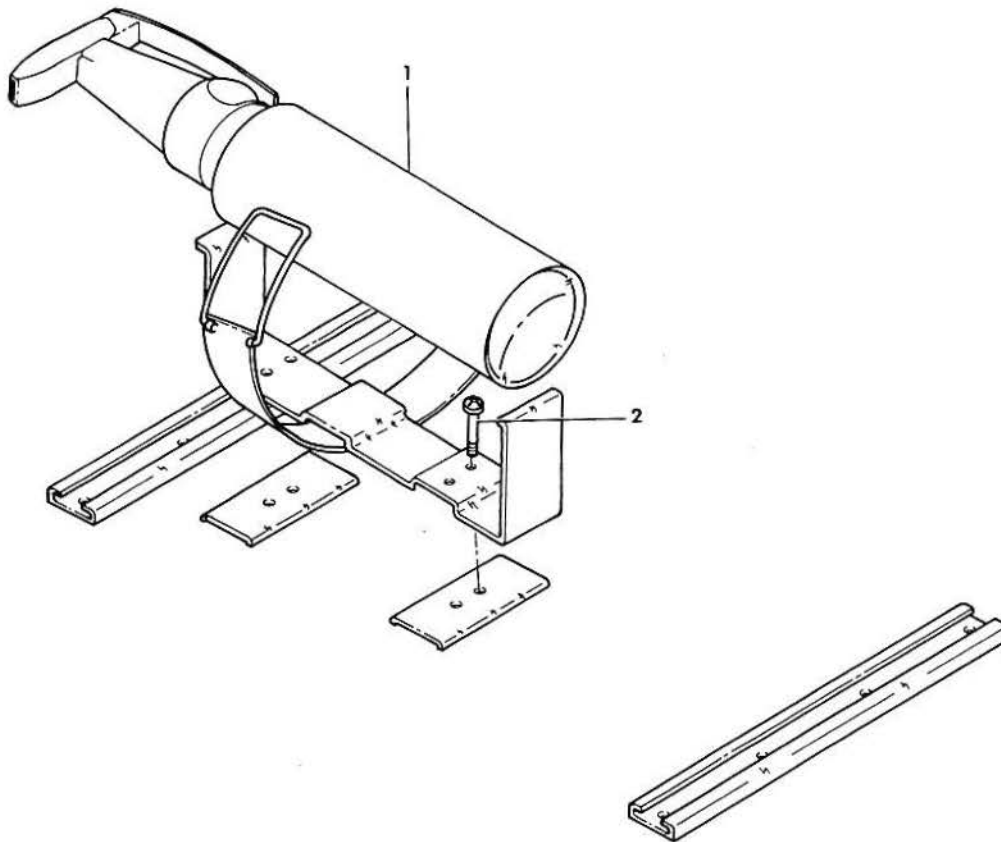
LIST OF PAGES & TABLE OF CONTENTS
FOR
CHAPTER 26-00-00 FIRE PROTECTION

SYS/SUB-SYS/ CHAP SECTION	PAGE NO.	EFFECTIVE DATE	TABLE OF CONTENTS
26-00-00	1	03/20/81. LIST OF PAGES & TABLE OF CONTENTS
26-20-01	1	03/20/81. FIRE EXTINGUISHER
26-20-01	2	03/20/81	
26-20-01	3	03/20/81	

BEECHCRAFT
DUKE B60
ILLUSTRATED PARTS CATALOG

26-20-01
FIRE EXTINGUISHER

BEECHCRAFT
DUKE B60
ILLUSTRATED PARTS CATALOG



B60-17-12

B E E C H C R A F T
DUKE B60
I L L U S T R A T E D P A R T S C A T A L O G

GAMA/ATA CODE & INDEX NO.	PART NO.	DESCRIPTION							UNITS PER ASSY	USABLE ON CODE
		1	2	3	4	5	6	7		
20-01	60-570000-3	AIRPLANE	FIRE	EXTINGUISHER	INSTALLATION	.	.	.	NP	1
	60-570000-5	AIRPLANE	FIRE	EXTINGUISHER	INSTALLATION	.	.	.	NP	3
	60-570000-17	AIRPLANE	FIRE	EXTINGUISHER	INSTALLATION	.	.	.	NP	4
	60-570001-1	AIRPLANE	FIRE	EXTINGUISHER	INSTALLATION	.	.	.	NP	5
	- 1	2-10	.	AIRPLANE	FIRE	EXTINGUISHER,HALON/INSTALLED.	.	.	1	
				BELOW	3RD	SEAT/SUPERSEDES	FR-2	1/2/		
	- 2	AN520-10R	.	SCREW	4	1
		MS27039-1-11	.	SCREW	4	2
		AN960-10	.	WASHER	4	5
		60-570000-19	.	FLOORBOARD	ASSY	.	.	.	1	4
	60-570001-3	.	BRACKET	ASSY.	.	.	.	2	5	
	60-570001-5	.	BRACKET	2	5	

CODES OF EFFECTIVITY

1	P-247 THRU P-385	2	P-386 AND AFTER
3	P-386 THRU P-485	4	P-486 THRU P-555
5	P-556 AND AFTER		

