

B E E C H C R A F T
DUKE B60
I L L U S T R A T E D P A R T S C A T A L O G

LIST OF PAGES & TABLE OF CONTENTS
FOR
CHAPTER 25-00-00 EQUIPMENT

CHAP/SUB- SECT & UNIT	PAGE NO.	EFFECTIVE DATE	TABLE OF CONTENTS
25-00-00	1	04/19/84. LIST OF PAGES & TABLE OF CONTENTS
25-00-00	2	04/16/82	
25-00-00	3	04/16/82	
25-10-01	1	03/20/81. LOOSE TOOLS AND ACCESSORIES
25-10-01	2	03/20/81	
25-10-01	3	04/19/84	
25-10-01	4	04/19/84	
25-10-01	5	04/19/84	
25-10-10	1	03/20/81. PILOT AND COPILOT SEATS
25-10-10	2	03/20/81	P-247 THRU P-409
25-10-10	3	03/20/81	
25-10-10	4	03/20/81	
25-10-10	5	01/08/82	
25-10-10	6	03/20/81	
25-10-10	7	04/19/84	
25-10-10	8	03/20/81	
25-10-10	9	03/20/81	
25-10-10	10	03/20/81	
25-10-10	11	03/20/81	
25-10-11	1	03/20/81. PILOT AND COPILOT SEATS
25-10-11	2	03/20/81	P-410 AND AFTER
25-10-11	3	03/20/81	
25-10-11	4	03/20/81	
25-10-11	5	03/20/81	
25-10-11	6	03/20/81	
25-10-11	7	03/20/81	
25-10-11	8	03/20/81	
25-10-11	9	03/20/81	
25-10-20	1	03/20/81. PARTITION CURTAIN
25-10-20	2	03/20/81	
25-10-20	3	03/20/81	
25-10-30	1	03/20/81. FLIGHT COMPARTMENT SIDE PANELS.
25-10-30	2	03/20/81	
25-10-30	3	03/20/81	
25-10-30	4	03/20/81	
25-10-30	5	03/20/81	
25-10-35	1	03/20/81. FLIGHT COMPARTMENT MISCELLANEOUS FURNISHINGS.
25-10-35	2	03/20/81	
25-10-35	3	01/08/82	
25-10-35	4	03/20/81	
25-10-35	5	03/20/81	
25-10-35	6	03/20/81	
25-10-35	7	01/08/82	
25-10-40	1	04/19/84. GLARESHIELD
25-10-40	2	04/19/84	
25-10-40	3	04/19/84	
25-20-01	1	03/20/81. PASSENGER SEATS
25-20-01	2	03/20/81	/3RD AND 4TH/
25-20-01	3	01/08/82	
25-20-01	4	03/20/81	
25-20-01	5	03/20/81	
25-20-01	6	03/20/81	
25-20-01	7	03/20/81	
25-20-01	8	03/20/81	
25-20-01	9	03/20/81	
25-20-01	10	03/20/81	
25-20-01	11	03/20/81	
25-20-01	12	03/20/81	

B E E C H C R A F T
DUKE B60
I L L U S T R A T E D P A R T S C A T A L O G

LIST OF PAGES & TABLE OF CONTENTS
FOR
CHAPTER 25-00-00 EQUIPMENT

CHAP/SUB- SECT & UNIT	PAGE NO.	EFFECTIVE DATE	TABLE OF CONTENTS
25-20-01	13	04/16/82	
25-20-01	14	03/20/81	
25-20-01	15	03/20/81	
25-20-01	16	03/20/81	
25-20-01	17	03/20/81	
25-20-01	18	03/20/81	
25-20-01	19	01/08/82	
25-20-02	1	03/20/81	STOWAGE CONTAINER INSTALLATION
25-20-02	2	03/20/81	/3RD AND 4TH SEAT-CLUB ARRANGEMENT/ P-483,P-486 AND AFTER
25-20-02	3	01/08/82	
25-20-10	1	03/20/81	CABIN WINDOW CURTAIN
25-20-10	2	03/20/81	
25-20-10	3	03/20/81	
25-20-20	1	03/20/81	MISCELLANEOUS CABIN FURNISHINGS
25-20-20	2	04/16/82	
25-20-20	3	04/16/82	
25-20-20	4	04/16/82	
25-20-20	5	04/19/84	
25-20-24	1	03/20/81	SIDE CONSOLE INSTALLATION
25-20-24	2	03/20/81	
25-20-24	3	03/20/81	
25-20-25	1	03/20/81	CABIN UPHOLSTERY
25-20-25	2	01/08/82	
25-20-25	3	01/08/82	
25-20-25	4	01/08/82	
25-20-25	5	04/19/84	
25-20-25	6	03/20/81	
25-20-25	7	03/20/81	
25-20-25	8	03/20/81	
25-20-25	9	03/20/81	
25-20-25	10	03/20/81	
25-20-25	11	03/20/81	
25-20-25	12	03/20/81	
25-20-25	13	01/08/82	
25-20-27	1	03/20/81	UPHOLSTERY INSTALLATION
25-20-27	2	03/20/81	/5TH AND 6TH SEAT/ P-511,P-520 AND AFTER
25-20-27	3	01/08/82	
25-20-27	4	03/20/81	
25-20-27	5	03/20/81	
25-20-30	1	03/20/81	CARPET INSTALLATION
25-20-30	2	03/20/81	
25-20-30	3	03/20/81	
25-20-40	1	03/20/81	PASSENGER SEATS
25-20-40	2	03/20/81	/5TH AND 6TH/ P-247 THRU P-386 AND P-388
25-20-40	3	03/20/81	
25-20-40	4	03/20/81	
25-20-40	5	03/20/81	
25-20-40	6	03/20/81	
25-20-40	7	03/20/81	
25-20-41	1	03/20/81	PASSENGER SEATS
25-20-41	2	03/20/81	/5TH AND 6TH/ P-387,P-389 THRU P-510 P-512 THRU P-519
25-20-41	3	03/20/81	
25-20-41	4	03/20/81	
25-20-41	5	03/20/81	
25-20-41	6	03/20/81	
25-20-41	7	03/20/81	

B E E C H C R A F T
DUKE B60
I L L U S T R A T E D P A R T S C A T A L O G

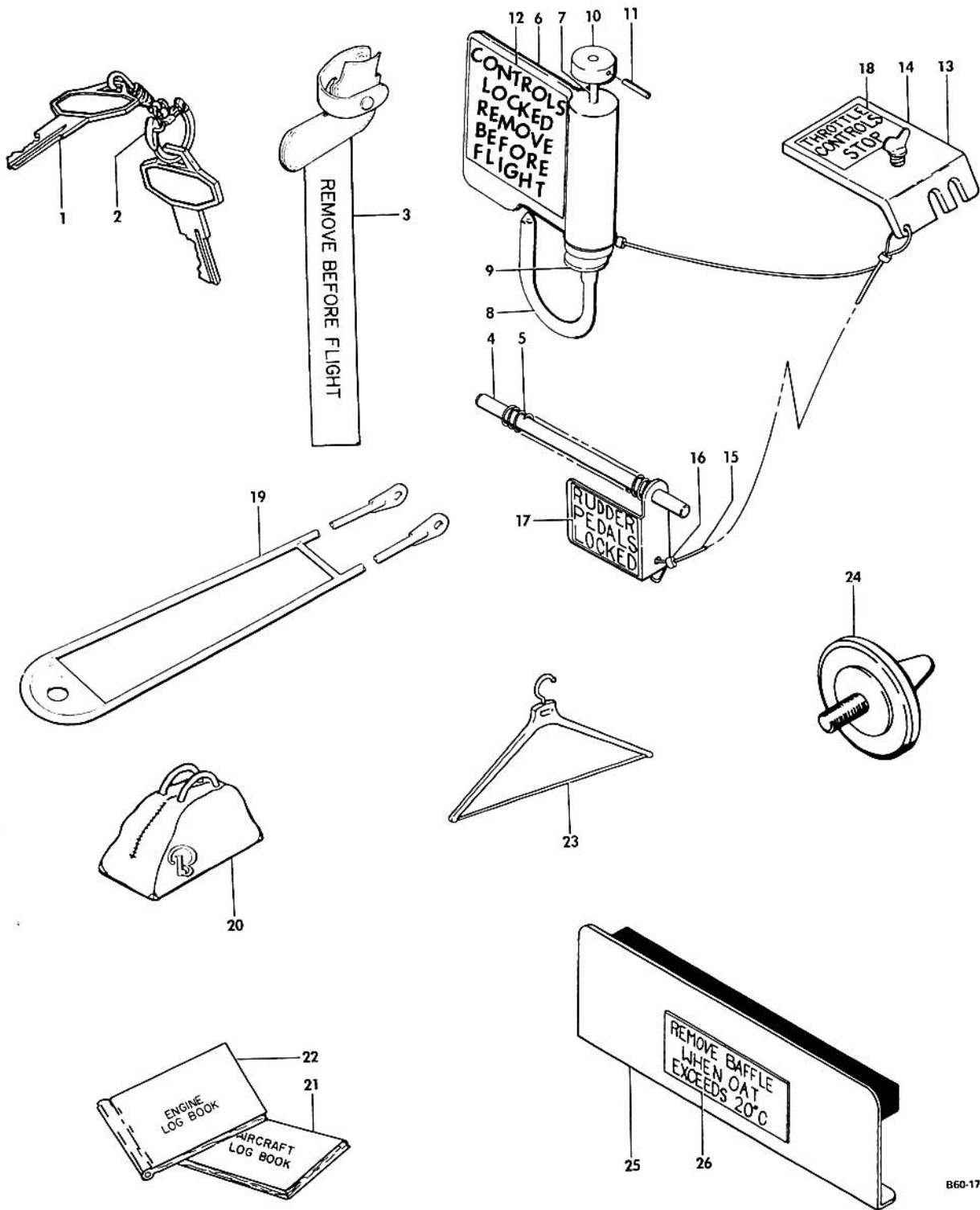
LIST OF PAGES & TABLE OF CONTENTS
FOR
CHAPTER 25-00-00 EQUIPMENT

SYS/SUB-SYS/ CHAP SECTION	PAGE NO.	EFFECTIVE DATE	TABLE OF CONTENTS
25-20-42	1	03/20/81	PASSENGER SEATS
25-20-42	2	04/16/82	/5TH AND 6TH/
25-20-42	3	03/20/81	P-511,P-520 AND AFTER
25-20-42	4	04/16/82	
25-20-42	5	03/20/81	
25-21-01	1	03/20/81	ARMREST ASSEMBLY.
25-21-01	2	03/20/81	/3RD AND 4TH SEATS/
25-21-01	3	03/20/81	P-446 AND AFTER
25-21-01	4	03/20/81	
25-21-01	5	03/20/81	
25-21-10	1	03/20/81	STOWABLE ARMREST ASSEMBLY
25-21-10	2	03/20/81	/5TH AND 6TH SEATS/
25-21-10	3	03/20/81	P-387,P-389 THRU P-445
25-21-11	1	03/20/81	STOWABLE ARMREST ASSEMBLY
25-21-11	2	03/20/81	/5TH AND 6TH SEATS/
25-21-11	3	03/20/81	P-446 THRU P-510 AND P-512 THRU P-519
25-22-01	1	03/20/81	REFRESHMENT CABINET
25-22-01	2	03/20/81	
25-22-01	3	03/20/81	
25-25-01	1	03/20/81	FULDWAY TABLE/OPTIONAL/.
25-25-01	2	03/20/81	
25-25-01	3	03/20/81	
25-50-01	1	03/20/81	COAT HANGAR ROD INSTALLATION/OPT/
25-50-01	2	03/20/81	
25-50-01	3	03/20/81	
25-50-05	1	03/20/81	BAGGAGE WEB
25-50-05	2	03/20/81	
25-50-05	3	03/20/81	
25-50-05	4	03/20/81	
25-50-05	5	03/20/81	
25-50-10	1	03/20/81	NOSE BAGGAGE COMPARTMENT FURNISHINGS.
25-50-10	2	03/20/81	
25-50-10	3	03/20/81	
25-60-01	1	03/20/81	EMERGENCY LOCATOR TRANSMITTER
25-60-01	2	03/20/81	P-247 THRU P-495
25-60-01	3	01/08/82	
25-60-02	1	03/20/81	EMERGENCY LOCATOR TRANSMITTER
25-60-02	2	03/20/81	P-496 AND AFTER
25-60-02	3	03/20/81	

BEECHCRAFT
DUKE B60
ILLUSTRATED PARTS CATALOG

25-10-01
LOOSE TOOLS AND ACCESSORIES

BEECHCRAFT
DUKE B60
ILLUSTRATED PARTS CATALOG

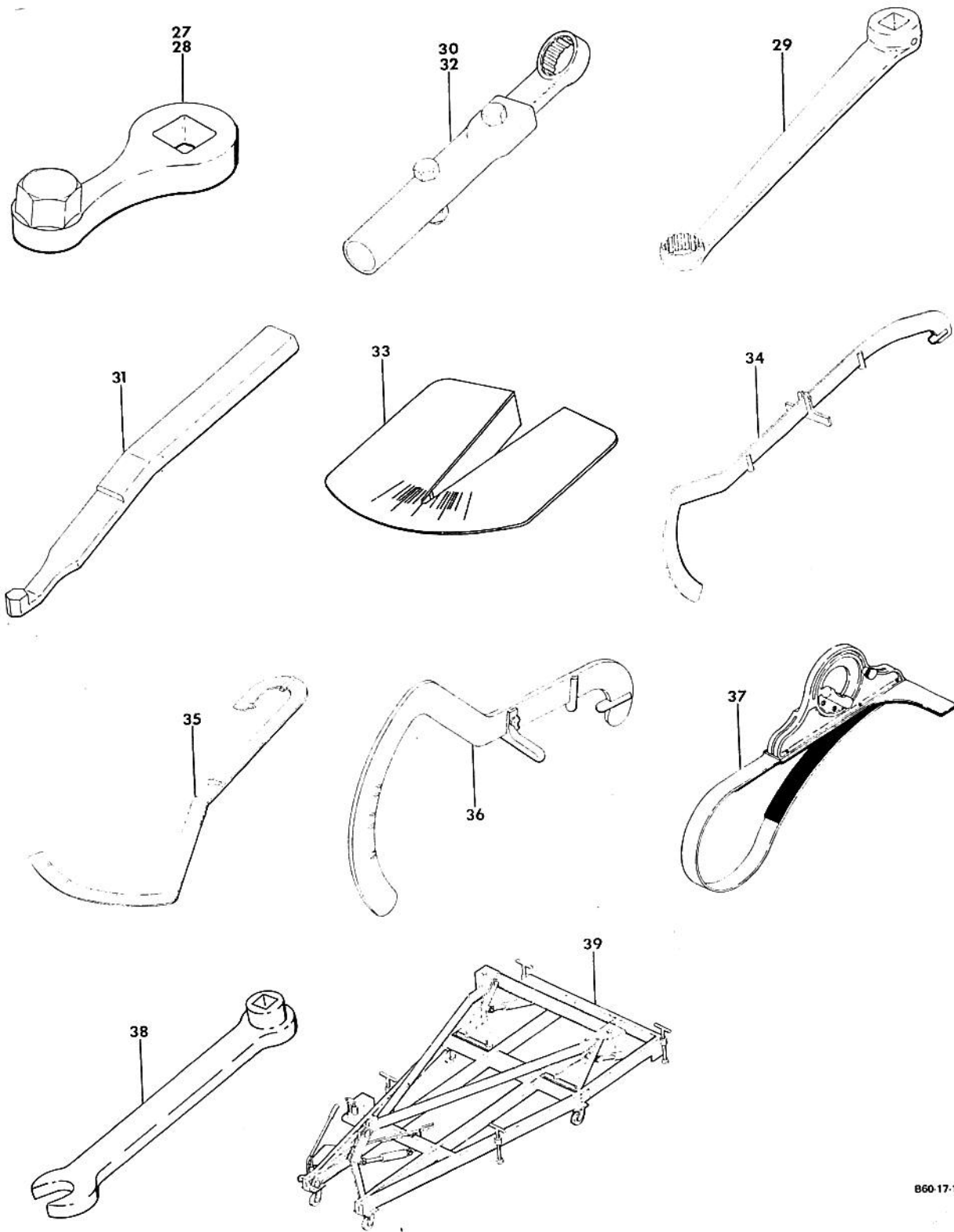


B60-17-9

B E E C H C R A F T
DUKE B60
I L L U S T R A T E D P A R T S C A T A L O G

SUB-SECT UNIT & ITEM NO.	PART NO.	DESCRIPTION							UNITS PER ASSY	USABLE ON CODE
		1	2	3	4	5	6	7		
10-01	60-590000	LOOSE TOOLS & ACCESSORIES INSTL /STANDARD/							NP	
- 1	60-400011-1	KEY,IGNITION.							2	
- 2	35-590070-41	KEY RING ASSY							1	
- 3	R DP-HP1	COVER ASSY, PITOT TUBE.							2	
	60-590012-23	LOCK ASSY,CONTROL SURFACE & THROTTLE.							1	
- 4	60-590012-1	LOCK ASSY,RUDDER.							1	
- 5	60-590012-3	SPRING.							1	
- 6	60-590012-25	LOCK ASSY,CONTROL COLUMN.							1	
	60-590012-27	FLAG ASSY,LOCK CONTROL SURFACE & THROTTLE							1	
	60-590012-29	FLAG,LOCK CONTROL SURFACE							1	
- 7	60-590012-31	TUBE,LOCK CONTROL SURFACE							1	
- 8	60-590012-33	ROD							1	
- 9	AN960-416	WASHER.							1	
- 10	60-590012-35	STOP.							1	
- 11	NAS561PF2-8	PIN,ROLL.							1	
- 12	60-590022-1	PLACARD,CONTROLS LOCKED							1	
	60-590012-17	STOP ASSY,THROTTLE.							1	
- 13	60-590012-19	STOP,THROTTLE							1	
- 14	W98292-5-540	STUD.							1	
	111504XB0010-14	SPRING,STUD							1	
	295901-2	GROMMET,STUD.							1	
	MS171504	PIN,STUD.							1	
- 15	60-590012-37	CABLE,LOCK.							1	
- 16	34138	CONNECTOR							3	
- 17	60-590016-1	DECAL,RUDDER PEDALS LOCKED.							1	
- 18	60-590018-1	DECAL,THROTTLE CONTROL STOP							1	
	60-590012-21	BAG,LOCK STORAGE.							1	
- 19	R 60-590014	BAR ASSY,TOW.							1	
- 20	A903	BAG,FLIGHT.							1	
- 21	AF5-1	BOOK,AIRCRAFT LOG							1	
- 22	EF5-1	BOOK,ENGINE LOG							1	
	50D91	MANUAL,34D39 COMBUSTION AIR BLOWER.							1	
	57083	MANUAL,A34051 HEATER.							1	
	58D42	MANUAL,52D70 HEATER IGNITER							1	
	98-31826	DIRECTORY,BEECHCRAFT SERVICE FACILITY/INTL/							1	
	R 81-35963D	INSTRUCTIONS,PAINT CARE							1	
	98-32176	CARD,SERVICE BULLETIN & LETTER NOTIFICATION							1	
	0250-010	LETTER,BEECHCRAFT SERVICE							1	
	98-34774	MASTER INDEX,BEECHCRAFT SERVICE INSTRUCTIONS.							1	
	60-590001-21	SUPPLEMENT,AFM AREA NAVIGATION SYSTEM							1	
	60-590001-39	SUPPLEMENT,AFM COLLINS ANS-31/NCS-31 NAV.							1	
	60-590001-31	SUPPLEMENT,AFM CURRENT AMPLITUDE DETECTOR.							1	
	60-590001-41	SUPPLEMENT,AFM AIR DATA AD/611D R NAV SYSTEM.							1	1
	60-590001-43	SUPPLEMENT,AFM COLLINS ANS351 R NAV SYSTEM.							1	2
	60-590001-45	SUPPLEMENT,AFM BENDIX NP2041A AREA NAV SYSTEM							1	
	60-590000-7	CHECK LIST,PILOTS							1	
	115H MANUAL	MANUAL,HARTZELL PROPELLER OWNERS.							1	
	98-36285	MANUAL,ENGINE OPERATING							1	
- 23	50-384088	HANGER,COAT							4	
	60-590000-9	MANUAL,MODEL B60 PILOTS OPERATING							1	
	60-590000-11	MANUAL,MODEL B60 FLIGHT/FAA APPROVED/							1	
	315	FLASHLIGHT,EVEREADY							1	
	915	BATTERY,FLASHLIGHT.							2	
- 24	60-590013-1	ADAPTER,SERVICE JACK.							1	
	60-590015	COMPUTER,HORSEPOWER AND FUEL FLOW							1	
- 25	60-590020-1	BAFFLE ASSY,OIL COOLER.							1	
	60-590020-5	PAD,OIL COOLER BAFFLE RUBBER.							1	
	60-590020-3	BAFFLE,OIL COOLER							1	
- 26	60-590021-3	DECAL,OIL COOLER BAFFLE INSTRUCTION							1	
	852-35769	HANDBOOK,WARRANTY FACTS							1	
	101-590020-1	WRENCH,FUEL SUMP DRAIN.							1	
	98-37375	FOLDER,AIRCRAFT MAINTENANCE LOG							1	

BEECHCRAFT
DUKE B60
ILLUSTRATED PARTS CATALOG



B60-17-10

FIGURE 10-01. LOOSE TOOLS AND ACCESSORIES
/SHEET 2 OF 2 SHEETS/

BEECHCRAFT
DUKE B60
ILLUSTRATED PARTS CATALOG

SUB-SECT UNIT & ITEM NO.	PART NO.	DESCRIPTION	UNITS PER ASSY	USABLE ON CODE		
					1	2
10-01	60-590001	LOOSE TOOLS & ACCESSORIES INSTL /OPTIONAL/	NP			
- 27	R TS1176-2	. ADAPTER,WING NUT TORQUE WRENCH/UPPER FWD &	1	5		
		LWR REAR/INTERNAL WRENCHING/				
	R TS1176-10	. ADAPTER,WING NUT TORQUE WRENCH/UPPER FWD &	1	6		
		LWR REAR/EXTERNAL WRENCHING/				
- 28	TS1171-1	. ADAPTER,WING NUT TORQUE WRENCH/UPPER REAR/.	1			
- 29	R 50-590014	. ADAPTER,WING NUT TORQUE WRENCH/LWR FWD/	1			
- 30	R TK1817-4	. WRENCH,WING BOLT/UPPER FWD & LWR REAR/.	1			
- 31	R TS1253-1	. WRENCH,WING BOLT/UPPER REAR/.	1			
- 32	R TK1817-5	. WRENCH,LOWER FWD WING BOLT.	1			
- 33	810 60-130001	. GAGE,AILERON TRAVEL	1			
- 34	810-1 60-130001	. GAGE,AILERON TAB TRAVEL	1			
- 35	807 60-630001	. GAGE,RUDDER & RUDDER TAB TRAVEL	1			
- 36	807 60-610000	. GAGE,ELEVATOR & ELEVATOR TAB TRAVEL	1			
- 37	810-2 96-524000	. GAGE,FLAP TRAVEL.	1			
- 38	922 60-960000	. WRENCH,PROPELLER TORQUE ADAPTER	1			
- 39	MODEL 400	. JACK,SERVICE.	1			
	117	. MANUAL,HARTZELL PROP OVERHAUL INSTRUCTION	1			
	130333	. MANUAL,H14 MAINTENANCE.	1			
	98-32751	. MANUAL,WHEEL & BRAKE.	1			
	98-34350	. MANUAL,H14 OPERATORS.	1			
	98-35636	. MANUAL,H14 AUTOPILOT,PILOTS OPERATING	1			
	60-590001-35C	. CATALOG,MODEL B60 PARTS	1			
	60-590001-7	. FORM,BEECHCRAFT MODEL B60 100-HOUR INSPECTION	1			
	60-590001-9	. SUPPLEMENT,FAA FLIGHT MANUAL H14/60,A60/.	1			
	60-590001-11	. SUPPLEMENT,FAA FLIGHT MANUAL /SURFACE DEICER/	1			
	60-590001-13	. SUPPLEMENT,FAA FLIGHT MANUAL.	1			
		/ELECTRIC PROP DEICER/				
	60-590001-15	. SUPPLEMENT,FAA FLIGHT MANUAL.	1			
		/LANDING GEAR SAFETY SYSTEM/				
	60-590001-17	. SUPPLEMENT,FAA FLIGHT MANUAL.	1			
		/FLIGHT INTO KNOWN ICING CONDITIONS/				
	60-590001-19	. SUPPLEMENT,FAA FLIGHT MANUAL.	1			
		/WOODWARD ELECTRIC PROP SYNCHRONIZER/				
	60-590001-21	. SUPPLEMENT,FAA FLIGHT MANUAL.	1			
		/KING KNC610 & KN74 R NAV SYSTEM/				
	60-590001-23	. SUPPLEMENT,A.F.M SPECIAL REQUIREMENTS	1			
	60-590001-25	. MANUAL,MAINTENANCE MODEL B60.	1			
	60-590001-27	. MANUAL,OVERHAUL MODEL B60	1			
	60-590001-29	. MANUAL,ELECTRICAL MODEL B60	1			
	60-590001-31	. MANUAL,AMPLITUDE DETECTOR	1			
		/FOR N1-CAD BATTERIES/				
	60-590001-3	. SUPPLEMENT,AFM B-5 AUTO PILOT	1			
	60-590001-37	. SUPPLEMENT,AFM OPERATION IN GERMANY,.	1			
		SWITZERLAND & AUSTRIA				
	98-37515	. SUPPLEMENT,SAFETY INFORMATION	1			
	60-4008	. KIT,GEN INFO/CABIN DOOR REMOVAL/.	1	3		
	98-38445	. CARD,PASSENGER INFORMATION.	AR	4		

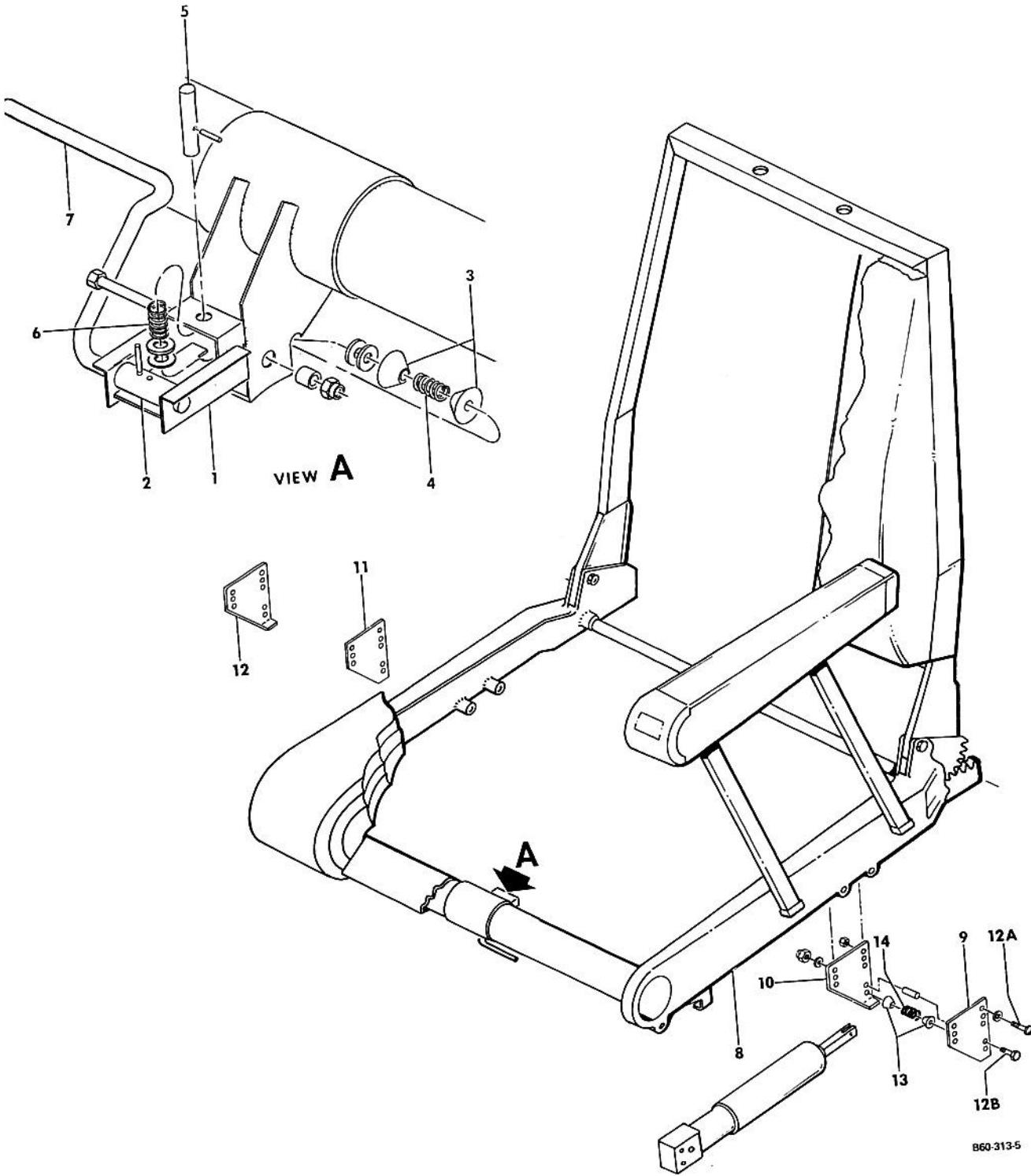
CODES OF EFFECTIVITY

- | | | | |
|---|------------------|---|-----------------|
| 1 | P-433 AND AFTER | 2 | P-454 AND AFTER |
| 3 | P-491 AND AFTER | 4 | P-529 AND AFTER |
| 5 | P-247 THRU P-423 | 6 | P-424 AND AFTER |

BEECHCRAFT
DUKE B60
ILLUSTRATED PARTS CATALOG

25-10-10
PILOT AND COPILOT SEATS
P-247 THRU P-409

BEECHCRAFT
DUKE B60
ILLUSTRATED PARTS CATALOG

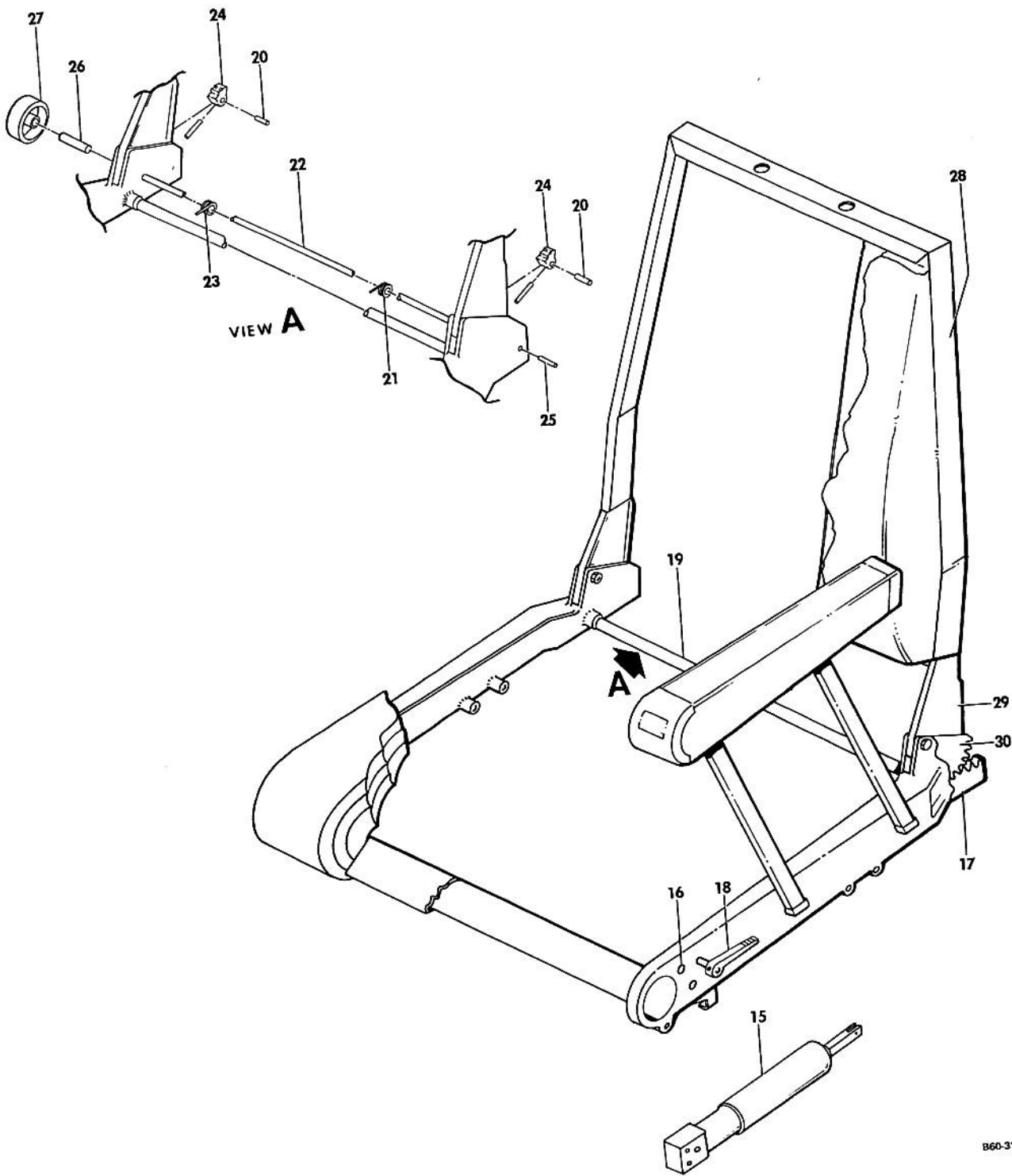


B60-313-5

B E E C H C R A F T
DUKE 860
I L L U S T R A T E D P A R T S C A T A L O G

GAMA/ATA CODE & INDEX NO.	PART NO.	DESCRIPTION	1 2 3 4 5 6 7							UNITS PER ASSY	USABLE ON CODE
			1	2	3	4	5	6	7		
10-10	60-530283-1	SEAT INSTL,STANDARD/4 PLACE/	NP	9
	60-530283-3	SEAT INSTL,CLUB	NP	9
	60-530283-5	SEAT INSTL/5 PLACE WITH 5TH SEAT/	NP	9
	60-530283-6	SEAT INSTL/5 PLACE WITH 6TH SEAT/	NP	9
	60-530283-7	SEAT INSTL/6 PLACE/	NP	9
	60-530294-1	. SEAT ASSY,PILOTS/CAM BACK/	1	9
	60-530294-2	. SEAT ASSY,COPILOTS/CAM BACK/	1	9
	60-530294-3	. SEAT ASSY,COPILOTS/ROTON BACK/	1	9
	60-530013-85	. . FRAME ASSY,PILOT SEAT/CAM BACK/	1	9
	60-530013-86	. . FRAME ASSY,COPILOT SEAT/CAM BACK/	1	9
	60-530013-87	. . FRAME ASSY,COPILOT SEAT/ROTON BACK/	1	9
	60-530013-91	. . . FRAME ASSY,PILOT BOTTOM/CAM BACK/	1	9
	60-530013-92	. . . FRAME ASSY,COPILOT BOTTOM/CAM BACK/	1	9
	60-530013-89	. . . FRAME ASSY,COPILOT BOTTOM/ROTON BACK/	1	9
- 1	60-530013-75 WELD ASSY,FWD ROLLER.	1	1
	60-530013-97 WELD ASSY,FWD ROLLER.	1	2
- 2	60-530013-11 WELD ASSY	1	1
	60-530013-93 WELD ASSY	1	2
- 3	60-530247 ROLLER,SEAT ADJUSTMENT FWD.	2	9
		/ATTACHING PARTS/									
	AN3-15A BOLT.	1	
- 4	AN960-10 WASHER.	AR	
	100943ZA016J SPRING.	1	
	NAS43DD3-16 SPACER.	1	9
	MS21042L3 NUT	1	9
	AN960-516 WASHER.	AR	
- 5	60-530013-49 PIN,SEAT ADJUSTMENT	1	9
		/ATTACHING PARTS/									
	1/16X1/2 TYPE E PIN	2	
	AN960-416 WASHER.	2	
- 6	100943ZS023G SPRING.	1	
- 7	60-530013-39 HANDLE,SEAT ADJUSTMENT.	1	9
		/WITHOUT ROTON/									
	60-530013-40 HANDLE,SEAT ADJUSTMENT /WITH ROTON/	1	9
		/ATTACHING PARTS/									
	MS171498 PIN	2	
- 8	60-530039-1 RAIL,SEAT FRAME LH SIDE	1	9
	60-530039-2 RAIL,SEAT FRAME RH SIDE	1	9
- 9	60-530235-9 LEG,LH AFT/LH SIDE/	1	3
	60-530235-17 LEG,LH AFT/LH SIDE/	1	4
- 10	60-530235-11 LEG,RH AFT/LH SIDE/	1	3
	60-530235-19 LEG,RH AFT/LH SIDE/	1	4
- 11	60-530235-13 LEG,LH AFT/RH SIDE/	1	3
	60-530235-20 LEG,LH AFT/RH SIDE/	1	4
- 12	60-530235-15 LEG,RH AFT/RH SIDE/	1	3
	60-530235-18 LEG,RH AFT/RH SIDE/	1	4
- 12A	AN525-10R24 SCREW	4	
	AN960-10 WASHER.	4	
	MS21042L3 NUT	4	
- 12B	AN3-14A BOLT.	2	4
	102933D4ZJ1000 SPACER.	2	4
	AN960-10L WASHER.	2	4
	MS21042L3 NUT	2	4
- 13	60-530247 ROLLER,SEAT ADJUSTMENT AFT.	4	9
		/ATTACHING PARTS/									
	AN3-15A BOLT.	1	4
	AN3-14A BOLT.	1	3
	AN960-10 WASHER.	AR	
- 14	100943ZA016J SPRING.	1	
	NAS43DD3-16 SPACER.	1	
	MS21042L3 NUT	1	

BEECHCRAFT
DUKE B60
ILLUSTRATED PARTS CATALOG

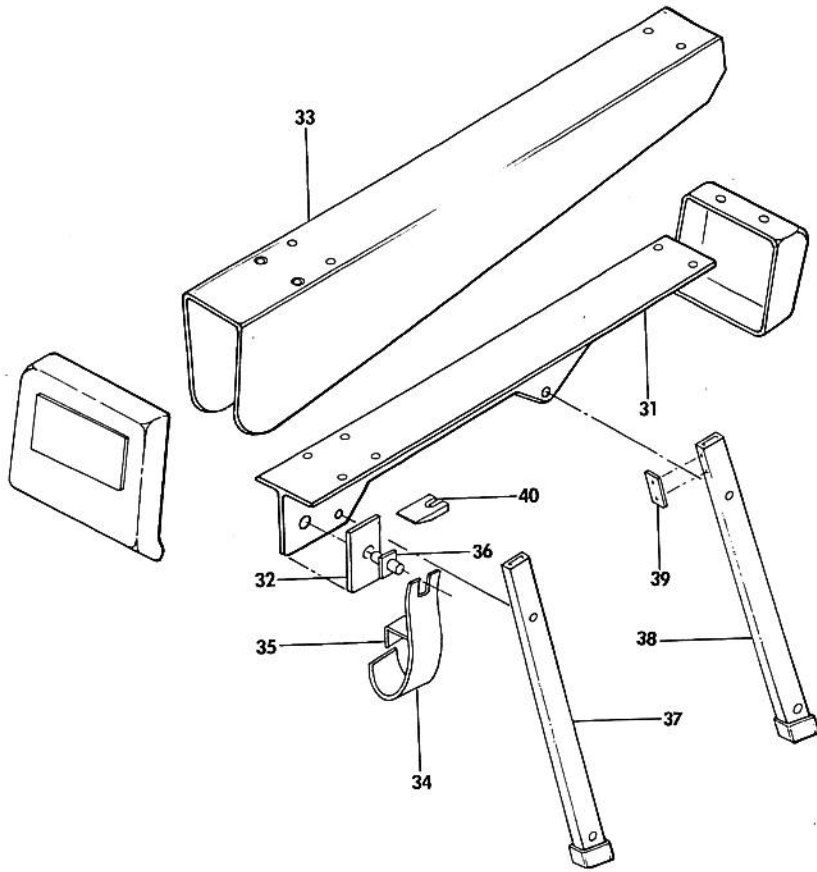


B60-313-6

BEECHCRAFT
DUKE B60
ILLUSTRATED PARTS CATALOG

GAMA/ATA CODE & INDEX NO.	PART NO.	DESCRIPTION	UNITS PER ASSY	USABLE ON CODE
		1 2 3 4 5 6 7		
10-10 - 15	36-380064-1 ACTUATOR ASSY, COPILOT SEAT ROTON LOCK . REPLACES 60-530051-1 /ATTACHING PARTS/	1	9
	AN3-16A BOLT	2	
	AN960-10 WASHER	2	
	MS21042L3 NUT	2	
- 16	NAS221-8 SCREW, ROTON ACTUATOR STABILITY.	2	9
	AN960-10L WASHER.	4	9
	MS21042L3 NUT	2	9
- 17	60-530054-1 GEAR ASSY, ROTON LOCK LOWER.	1	9
		/ATTACHING PARTS/		
	130909836 BOLT.	1	
- 18	102-530111-1 HANDLE ASSY, ROTON ACTUATOR.	1	9
- 19	60-530013-45 WELD ASSY, AFT TUBE.	1	9
		/ATTACHING PARTS/		
	MS171535 PIN	2	
- 20	60-530161 PIN, LH.	1	9
- 21	60-530046-1 SPRING, LH	1	9
- 22	60-530013-41 TUBE, AFT.	1	9
		/ATTACHING PARTS/		
	MS171499 PIN	2	
- 23	60-530046-2 SPRING, RH	1	9
- 24	60-530043-5 CAM	2	9
		/ATTACHING PARTS/		
	MS171539 PIN	1	
- 25	MS171652 PIN/ALTERNATE FOR MS171532/	2	9
	MS171532 PIN	2	9
- 26	60-530160 PIN, RH.	1	9
- 27	60-530047 KNOB, SEAT BACK ADJUSTMENT /WITHOUT ROTON BACK/ /ATTACHING PARTS/	1	9
		/ATTACHING PARTS/		
	MS171507 PIN	1	
- 28	60-530296-5 BACK ASSY, SEAT /FWD FACING, CAM/	1	9
	60-530296-7 BACK ASSY, SEAT /FWD FACING, ROTON/	1	9
	60-530296-11 WELD ASSY	1	9
- 29	60-530040-1 ADAPTER, SEAT BACK /ROTON/	2	9
	60-530040-7 ADAPTER, SEAT BACK /CAM/	2	9
		/ATTACHING PARTS/		
	MS27039-1-15 SCREW	2	
	AN960-10L WASHER.	2	
	MS21042L3 NUT	2	
- 30	60-530041-1 GEAR, ROTON LOCK UPPER /ATTACHING PARTS/	1	9
		/ATTACHING PARTS/		
	130909821 BOLT.	2	
	AN960-10 WASHER.	2	
	22K2-02 NUT, CAP	2	
		/ATTACHING PARTS/		
	R 42ND8-048 NUT, SPLINE.	4	

BEECHCRAFT
DUKE B60
ILLUSTRATED PARTS CATALOG



860-313-7

B E E C H C R A F T
DUKE B60
I L L U S T R A T E D P A R T S C A T A L O G

SUB-SECT UNIT & ITEM NO.	PART NO.	1 2 3 4 5 6 7	DESCRIPTION	UNITS PER ASSY	USABLE ON CODE
10-10	60-530139-1	ARM REST INSTL,LH STOWABLE.	NP	9
	60-530139-2	ARM REST INSTL,RH STOWABLE.	NP	9
	60-530139-3	ARM REST ASSY,LH UPHOLSTERED.	1	9
	60-530139-4	ARM REST ASSY,RH UPHOLSTERED.	1	9
			/ATTACHING PARTS/		
	AN24-18A	SCREW	2	
	105739SYD0700	SPACER.	2	
	50-534547-25	WASHER.	2	
	42ND8-048	NUT	2	

	60-530139-5	FRAME ASSY,LH SEAT ARMREST.	1	9
	60-530139-6	FRAME ASSY,RH SEAT ARMREST.	1	9
	60-530139-7	SUPPORT ASSY,LH	1	9
	60-530139-8	SUPPORT ASSY,RH	1	9
- 31	60-530139-13	SUPPORT,LH.	1	9
	60-530139-14	SUPPORT,RH.	1	9
- 32	60-530139-15	DOUBLER,SUPPORT	1	9
	60-530139-25	CLIP.	2	9
	60-530139-9	PAN ASSY,LH	1	9
	60-530139-10	PAN ASSY,RH	1	9
			/ATTACHING PARTS/		
	AN515-8R4	SCREW	4	
	AN935-8L	WASHER.	4	
	AN960PD8	WASHER.	4	
	AN366-832	NUTPLATE.	4	

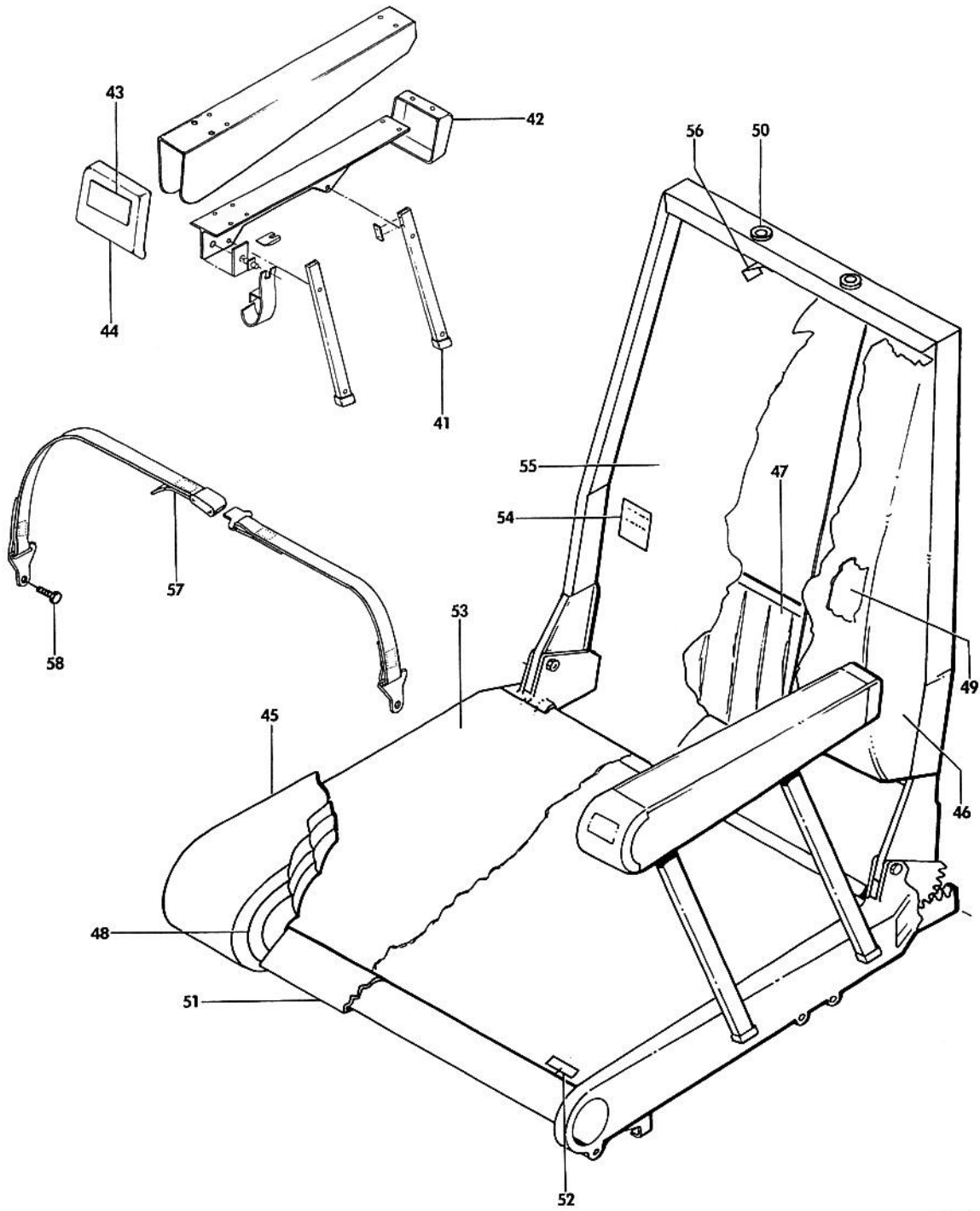
- 33	60-530139-27	PAN	1	9
	60-530139-33	CLIP.	2	9
	60-530139-11	RELEASE ASSY,ARM REST	1	9
			/ATTACHING PARTS/		
	AN509-8R7	SCREW	1	
	AN968-8	WASHER.	1	
	MS21042L08	NUT	1	

- 34	60-530139-29	HANDLE.	1	9
- 35	60-530139-31	SPRING.	1	9
- 36	50-534547-29	BOLT,LH ARM REST LATCH.	1	9
	50-534547-30	BOLT,RH ARMREST LATCH	1	9
	NAS77A6-35	BUSHING,LATCH BOLT.	1	9
	MS171499	PIN,LATCH BOLT.	1	9
- 37	60-530139-17	ARM,ARMREST FWD	1	9
- 38	60-530139-19	ARM,ARMREST AFT	1	9
			/ATTACHING PARTS/		
	130909B20	BOLT.	2	
	AN960-10L	WASHER.	2	
	AN960-10L	WASHER.	2	
R	60-530139-23	WASHER,NYLON.	2	
	MS21042L3	NUT	2	

- 39	1343	BUMPER,ARMREST AFT ARM.	1	9
			/ATTACHING PARTS/		
	MS35206-236	SCREW	1	
	100951DD016ZC	WASHER.	1	
	MS21042-06	NUT	1	

- 40	60-530139-37	STOP,ARMREST FWD ARM.	1	9
			/ATTACHING PARTS/		
	AN509-8R12	SCREW	1	
	AN960-8	WASHER.	1	
	MS21042L08	NUT	1	

BEECHCRAFT
DUKE B60
ILLUSTRATED PARTS CATALOG

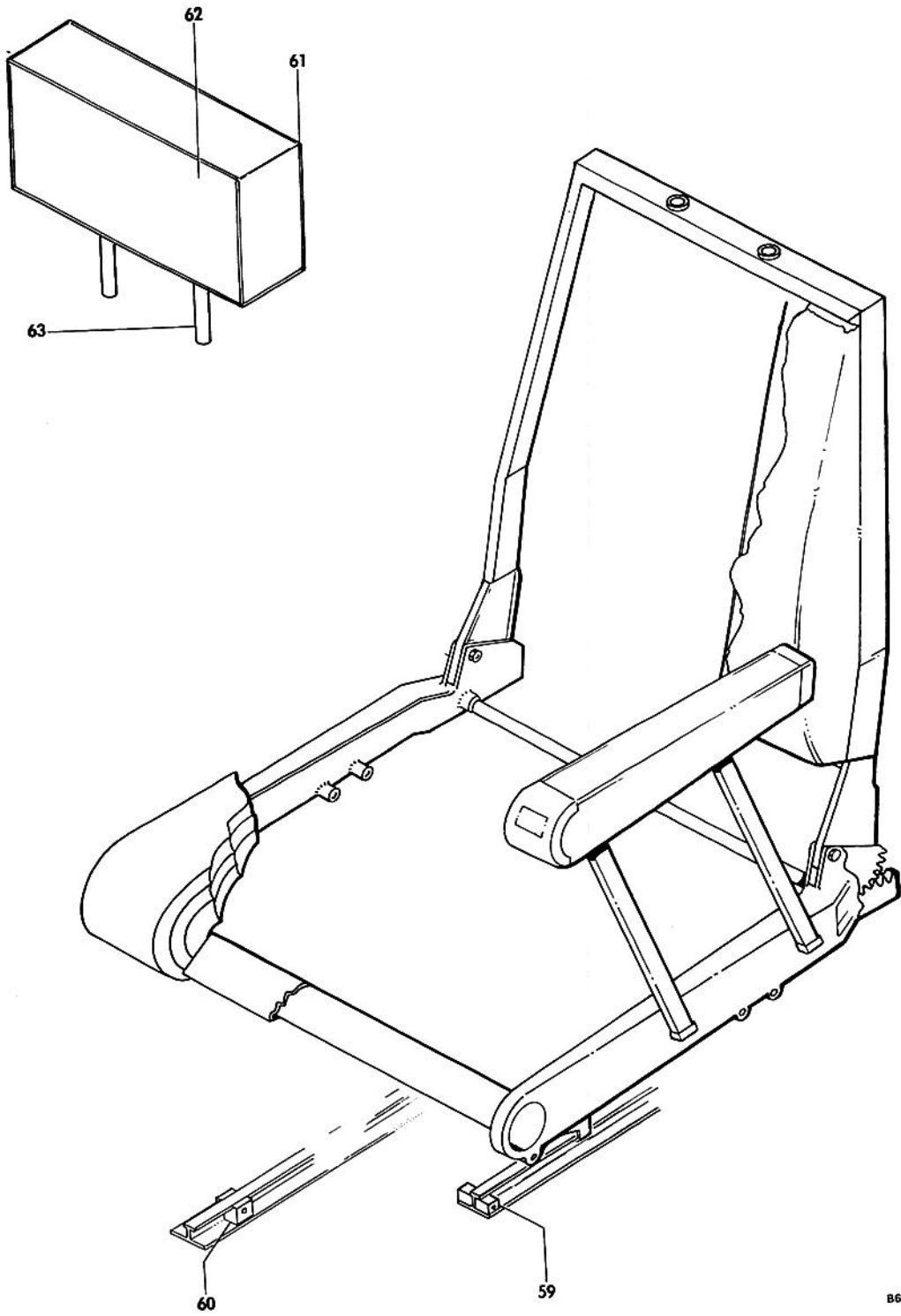


B60-313-8

B E E C H C R A F T
DUKE B60
I L L U S T R A T E D P A R T S C A T A L O G

GAMA/ATA CODE & INDEX NO.	PART NO.	1 2 3 4 5 6 7	DESCRIPTION	UNITS PER ASSY	USABLE ON CODE
10-10 - 41	99-530073-15	COVER, ARMREST ARM	2	9
- 42	60-530139-35	CAP, ARMREST AFT	1	9
			/ATTACHING PARTS/		
	NAS384-6P	SCREW	2	
	NAS390-6P	WASHER.	2	
- 43	50-534527-5	CAP, ARMREST FWD	1	9
			/ATTACHING PARTS/		
	PKB9XA6-6	SCREW	2	
- 44	50-534536	PLATE, ARMREST CAP IDENTIFICATION.	1	9
- 45	60-530294-25	COVER ASSY, SEAT BOTTOM LH	1	9
	60-530294-26	COVER ASSY, SEAT BOTTOM RH	1	9
	60-530295-17	WIRE.	1	9
- 46	60-530294-11	COVER ASSY, SEAT BACK.	1	9
- 47	60-530294-23	POCKET ASSY, SEAT BACK	1	9
			/ATTACHING PARTS/		
	NAS387-632-10P	SCREW	2	
	NAS391-6P	WASHER.	2	
	MS21042-06	NUT	2	
	SJ3401	LOOP.	AR	9
	SJ3402	HOOK.	AR	9
- 48	60-530294-45	CUSHION, SEAT BOTTOM LH.	1	9
	60-530294-46	CUSHION, SEAT BOTTOM RH.	1	9
- 49	102-530096-1	CUSHION, SEAT BACK	1	9
- 50	130010-3	MOULDING/ALTERNATE FOR 130010-5/.	1	9
	130010-5	MOULDING/ALTERNATE FOR 130010-3/.	1	9
- 51	36-530023-17	EXTENSION, SEAT BOTTOM	1	9
			/ATTACHING PARTS/		
	AN530-6R5	SCREW	10	
- 52	130569	PLACARD, IDENTIFICATION.	1	9
			/ATTACHING PARTS/		
	AN535-2-4	SCREW	2	
- 53	60-530294-19	SLING/ON SIDE OF FRONT & REAR TUBE/	1	9
- 54	60-530294-17	DOUBLER, BACK SEAT	2	9
- 55	60-530294-21	SLING, BACK SEAT	1	9
	1240	STRAP, ELASTIC/1 INCH WIDE/.	AR	9
- 56	60-530297-1	STOP, SEAT /UPHOLSTERED/	1	9
			/ATTACHING PARTS/		
	MS35206-247	SCREW	2	
	MS21042L08	NUT	2	
	F2004	PADDING /FOAM SHEET/RED 1/2 IN. THICK.	AR	9
	F2004	PADDING /FOAM SHEET/RED 1 IN. THICK	AR	9
- 57	101-530604-69	BELT ASSY, BUCKLE SEAT	1	5
	101-530604-73	BELT ASSY, CONNECTOR SEAT.	1	5
			/ATTACHING PARTS/		
- 58	130909B35	SCREW	2	
	102933D5ZM0190	SPACER.	2	
	MS21042L4	NUT	2	
	101-530604-27	BELT ASSY, BUCKLE SEAT	1	6
	101-530604-33	BELT ASSY, CONNECTOR SEAT.	1	6
			/ATTACHING PARTS/		
	130909B35	SCREW	1	
	102933D5ZM0190	SPACER.	1	
	MS21042L4	NUT	1	

BEECHCRAFT
DUKE B60
ILLUSTRATED PARTS CATALOG



B60-313-9

B E E C H C R A F T
DUKE B60
I L L U S T R A T E D P A R T S C A T A L O G

GAMA/ATA CODE & INDEX NO.	PART NO.	DESCRIPTION							UNITS PER ASSY	USABLE ON CODE
		1	2	3	4	5	6	7		
10-10 - 59	414-180657-3	2	9
	AN23-19A	1	
	MS21042L3	1	
- 60	414-180657-3	2	7
	AN23-19A	1	
	MS21042L3	1	
	33-534051	2	8
	LA3S-R1.030	1	
- 61	60-530287-1	2	9
- 62	58-530120-21	1	9
- 63	60-530287-5	1	9

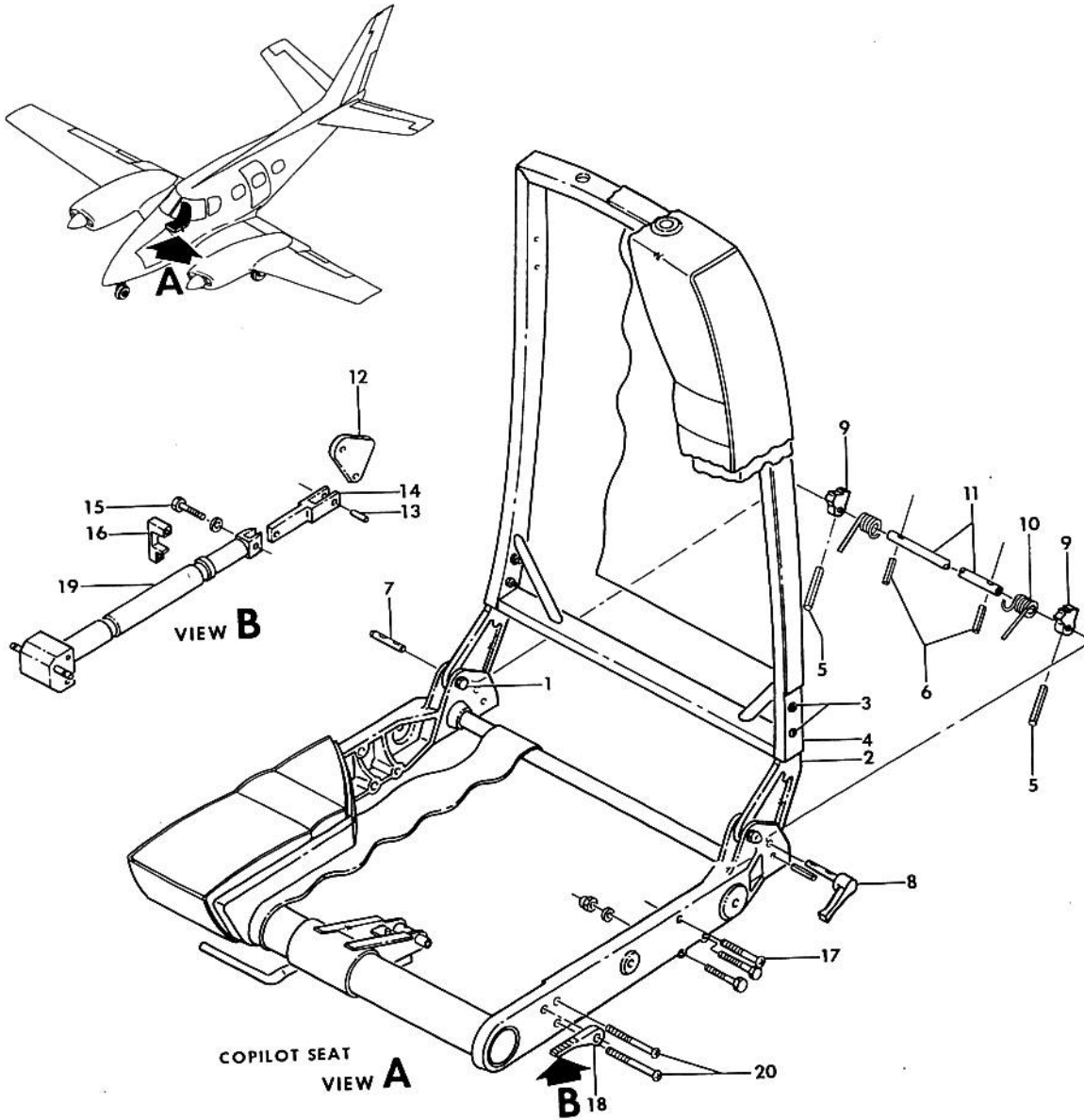
CODES OF EFFECTIVITY

1	P-247 THRU P-283	2	P-284 THRU P-409
3	P-247 THRU P-317	4	P-318 THRU P-409
5	P-247 THRU P-388	6	P-387
	EXCEPT P-387		P-389 THRU P-409
7	P-247 THRU P-334	8	P-335 THRU P-409
9	P-247 THRU P-409		

BEECHCRAFT
DUKE B60
ILLUSTRATED PARTS CATALOG

25-10-11
PILOT AND COPILOT SEATS
P-410 AND AFTER

BEECHCRAFT
DUKE B60
ILLUSTRATED PARTS CATALOG

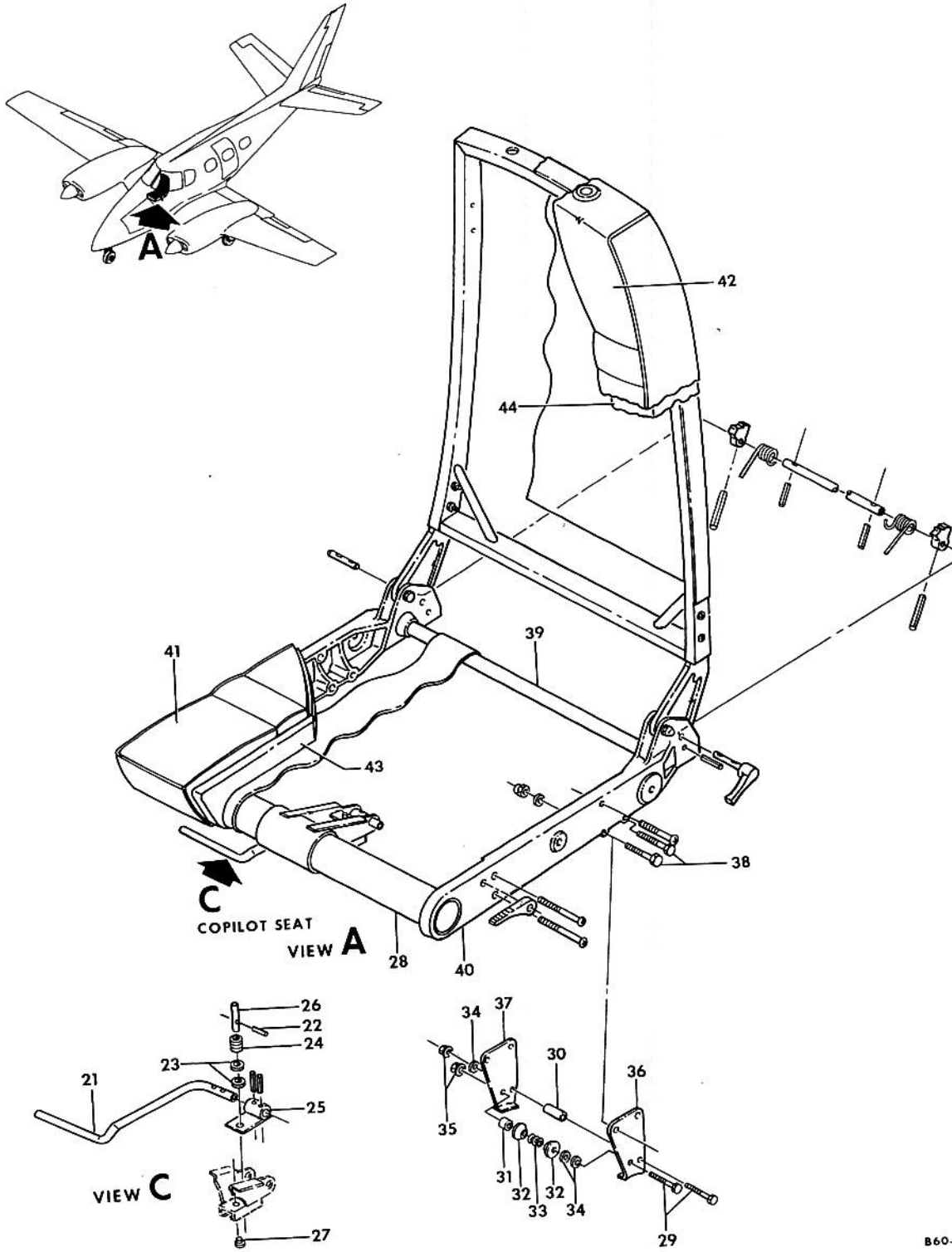


B60-313-10

B E E C H C R A F T
DUKE B60
I L L U S T R A T E D P A R T S C A T A L O G

GAMA/ATA CODE & INDEX NO.	PART NO.	1	2	3	4	5	6	7	DESCRIPTION	UNITS PER ASSY	USABLE ON CODE
10-11	60-530294-39								SEAT ASSY,PILOT/CAM BACK/	1	4
	60-530294-63								SEAT ASSY,PILOT/CAM BACK/	1	6
	60-530294-83								SEAT ASSY,PILOT/CAM BACK/	1	8
	60-530294-41								SEAT ASSY,COPILOT/CAM BACK/	1	4
	60-530294-67								SEAT ASSY,COPILOT/CAM BACK/	1	6
	60-530294-87								SEAT ASSY,COPILOT/CAM BACK/	1	8
	60-530294-43								SEAT ASSY,COPILOT/ROTON BACK/	1	4
	60-530294-65								SEAT ASSY,COPILOT/ROTON BACK/	1	6
	60-530294-85								SEAT ASSY,COPILOT/ROTON BACK/	1	8
	60-530331-1								• FRAME ASSY,PILOT SEAT/CAM/	1	1
	60-530331-3								• FRAME ASSY,COPILOT SEAT/CAM/	1	1
	60-530331-5								• FRAME ASSY,COPILOT SEAT/ROTON/	1	4
	60-530331-23								• FRAME ASSY,COPILOT SEAT/ROTON/	1	7
	58-530026-59								• • BACK ASSY,SEAT.	1	1
									/ATTACHING PARTS/		
- 1	NAS464P4A18								• • BOLT.	2	
	100951X032VB								• • SPACER/NEXT TO HEAD/	2	
	102933D5ZM0290								• • SPACER.	2	
	AN960-10L								• • WASHER.	2	
	22K2-048								• • NUT,CAP	2	
									-----*		
- 2	60-530040-5								• • ADAPTER	2	1
									/ATTACHING PARTS/		
- 3	AN525-10R14								• • SCREW	2	
	AN960-10L								• • WASHER.	2	
	MS21042L3								• • NUT	2	
									-----*		
- 4	58-530026-49								• • WELD ASSY,SEAT BACK	1	1
	60-530331-22								• • SUPPORT INSTL,PILOT CAM SEAT BACK	NP	1
	60-530331-21								• • SUPPORT INSTL,COPILOT CAM SEAT BACK	NP	1
- 5	MS171508								• • PIN,ROLL	2	1
- 6	MS171499								• • PIN,ROLL	2	1
- 7	60-530161-1								• • PIN	1	1
- 8	58-530045-5								• • HANDLE ASSY/PILOT SEAT/	1	1
	58-530045-6								• • HANDLE ASSY/COPILOT SEAT/	1	1
- 9	60-530043-7								• • CAM	2	1
- 10	60-530046-1								• • SPRING,LH	1	1
	60-530046-2								• • SPRING,RH	1	1
- 11	60-530013-41								• • TUBE,TORQUE	1	1
- 12	102-530097-1								• • PLATE/ROTON ONLY/	1	1
									/ATTACHING PARTS/		
- 13	102-530072-19								• • PIN	1	
									-----*		
- 14	102-530080-3								• • LINK/ROTON ONLY/	1	1
									/ATTACHING PARTS/		
- 15	130909B36								• • BOLT.	1	
	AN960B416								• • WASHER.	1	
									-----*		
- 16	102-530074-1								• • GUIDE/ROTON ONLY/	1	1
									/ATTACHING PARTS/		
- 17	MS27039-1-29								• • SCREW	2	
	AN960-10L								• • WASHER.	2	
	MS21042L3								• • NUT	2	
									-----*		
- 18	102-530111-1								• • HANDLE ASSY,ROTON ACTUATOR.	1	1
- 19	36-380064-1								• • ACTUATOR ASSY,ROTON	1	4
	106-384001-1								• • ACTUATOR ASSY,ROTON	1	7
									/ATTACHING PARTS/		
- 20	NAS221-29								• • SCREW	2	
	AN960-10L								• • WASHER.	2	
	MS21042L3								• • NUT	2	
									-----*		

BEECHCRAFT
DUKE B60
ILLUSTRATED PARTS CATALOG



B60-313-11

B E E C H C R A F T
DUKE B60
I L L U S T R A T E D P A R T S C A T A L O G

GAMA/ATA CODE & INDEX NO.	PART NO.	DESCRIPTION							UNITS PER ASSY	USABLE ON CODE	
		1	2	3	4	5	6	7			
10-11	60-530331-26	1	1	
	60-530331-25	1	1	
- 21	96-534073-52	1	1	
	96-534073-51	1	1	
	MS171498	2		

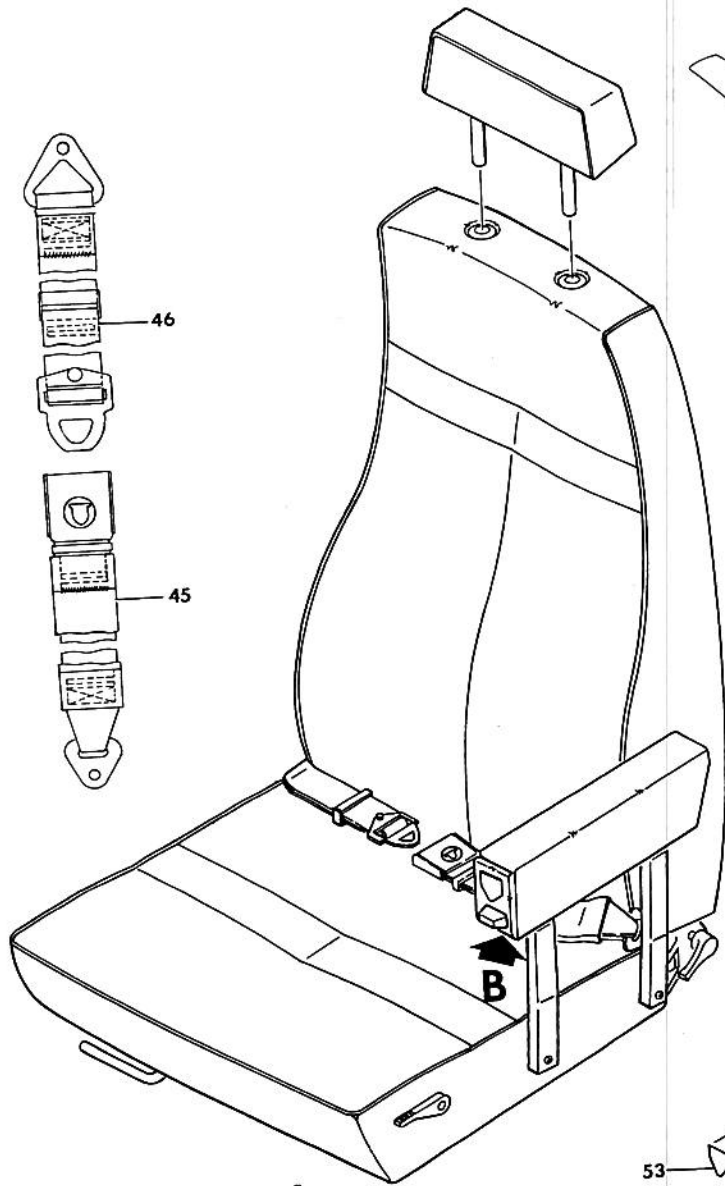
- 22	1/16 X 1/2	1	1	
- 23	AN960-416L	2	1	
- 24	100943Z5027G	1	1	
- 25	36-530026-53	1	1	
- 26	36-530026-49	1	1	
- 27	36-530026-57	1	1	
- 28	60-530331-9	1	1	
- 29	AN3-14A	4	1	
- 30	102933D4ZJ1000	2	1	
- 31	100933D4ZJ0190	2	1	
- 32	118641	4	1	
- 33	100943ZA016J	2	1	
- 34	AN960-10L	6	1	
- 35	MS21042L3	4	1	
- 36	60-530331-27	2	1	
- 37	60-530331-28	2	1	
		/ATTACHING PARTS/									
- 38	AN3-14A	2		
	AN960-10L	2		
	MS21042L3	2		

- 39	60-530013-45	1	1	
	MS171534	2		

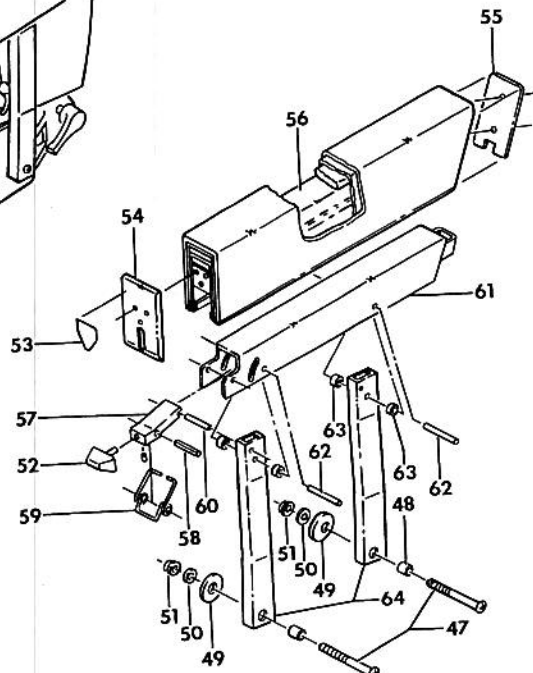
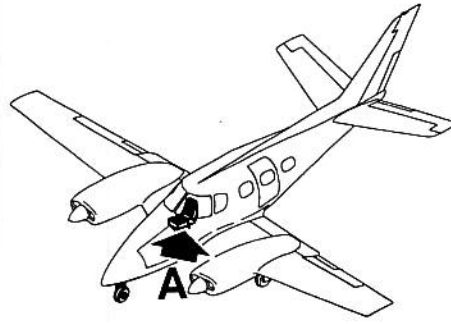
- 40	60-530039-23	1	1	
	60-530039-24	1	1	
- 41	60-530294-25	1	2	
	60-530294-51	1	5	
	60-530294-77	1	7	
	60-530294-26	1	2	
	60-530294-52	1	5	
	60-530294-78	1	7	
- 42	60-530294-11	1	2	
	60-530294-61	2	5	
	60-530294-73	1	7	
	60-530294-23	1	1	
		/ATTACHING PARTS/									
	NAS384-8-20P	2		
	NAS391-8P	2		
	NAS43DD3-48	2		

- 43	60-530294-47	1	2	
	60-530294-49	1	9	
	60-530294-48	1	2	
	60-530294-50	1	9	
- 44	102-530096-1	1	1	
	60-530395-2	1	7	
	60-530395-1	1	7	

BEECHCRAFT
DUKE B60
ILLUSTRATED PARTS CATALOG



VIEW A
COPILOT SEAT



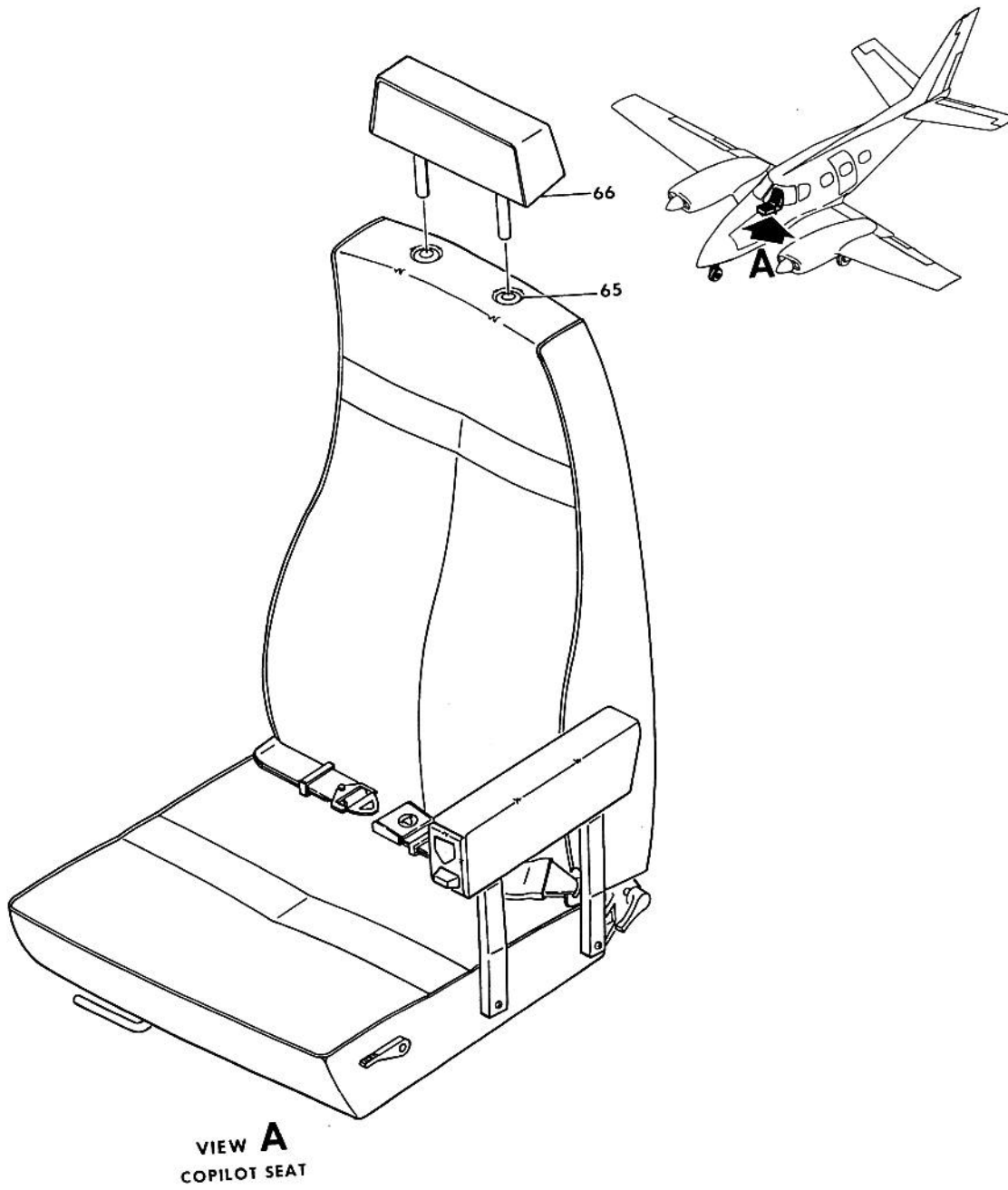
VIEW B

B60-313-12

B E E C H C R A F T
DUKE B60
I L L U S T R A T E D P A R T S C A T A L O G

GAMA/ATA CODE & INDEX NO.	PART NO.	DESCRIPTION	UNITS PER ASSY	USABLE ON CODE		
					1	2
10-11 - 45	101-530604-1	. BELT ASSY,BUCKLE SEAT	1	1		
- 46	101-530604-5	. BELT ASSY,CONNECTOR SEAT.	1	1		
	60-530294-19	. SLING,BOTTOM.	1	1		
	60-530294-21	. SLING,BACK.	1	1		
	60-530139-1	. ARMREST INSTL,PILOT STOWABLE.	NP	2		
	60-530139-2	. ARMREST INSTL,COPILOT STOWABLE.	NP	2		
		SEE CHAPTER 25-10-10 FOR THE BREAKDOWN OF THE ABOVE ARMREST INSTALLATIONS.				
	60-530355-1	. ARMREST INSTL,PILOT STOWABLE.	NP	3		
	60-530402-1	. ARMREST INSTL,PILOT STOWABLE.	NP	8		
	60-530355-2	. ARMREST INSTL,COPILOT STOWABLE.	NP	3		
	60-530402-2	. ARMREST INSTL,COPILOT STOWABLE.	NP	8		
	60-530355-3	. . . ARMREST ASSY,PILOT.	1	3		
	60-530402-3	. . . ARMREST ASSY,PILOT.	1	8		
	60-530355-4	. . . ARMREST ASSY,COPILOT.	1	3		
	60-530402-4	. . . ARMREST ASSY,COPILOT.	1	8		
		/ATTACHING PARTS/				
- 47	AN24-15A	. . . BOLT.	2			
- 48	105739SYD0560	. . . SPACER.	2			
- 49	50-534547-25	. . . WASHER.	2			
- 50	AN960-416	. . . WASHER.	2			
- 51	42ND8-048	. . . NUT	2			
		-----*				
- 52	60-530365-9	. . . HANDLE ASSY	1	3		
		/ATTACHING PARTS/				
	MS51021-42	. . . SCREW,SET	1			
		-----*				
- 53	50-534536-3	. . . EMBLEM,BEECH CREST.	1	9		
- 54	60-530352-7	. . . CAP,FRONT END	1	3		
	60-530403-1	. . . CAP,FRONT END	1	8		
		/ATTACHING PARTS/				
	MS21207-8-8	. . . SCREW	3			
		-----*				
- 55	60-530355-7	. . . CAP ASSY,AFT END.	1	3		
	60-530404-1	. . . CAP,AFT END	1	8		
- 56	60-530354-1	. . . SADDLE ASSY	1	3		
	60-530350-5	. . . SADDLE.	1	8		
	60-530402-7	. . . BRACKET ASSY.	1	8		
	60-530355-5	. . . SUPPORT ASSY,ARMREST/PILOT/	1	3		
	60-530355-6	. . . SUPPORT ASSY,ARMREST/COPILOT/	1	3		
- 57	60-530351-1	. . . ACTUATOR.	1	3		
		/ATTACHING PARTS/				
- 58	102809A1875-109	. . . PIN	1			
		-----*				
- 59	60-530348-1	. . . SPRING.	1	3		
- 60	102809A1875-109	. . . PIN,STOP.	1	3		
- 61	60-530346-1	. . . CHANNEL ASSY.	1	3		
		/ATTACHING PARTS/				
- 62	102809A1875-109	. . . PIN	2			
- 63	NAS43DD3-15	. . . SPACER.	4			
		-----*				
- 64	60-530349-1	. . . LEG,PILOT ARMREST SUPPORT	2	3		
	60-530349-2	. . . LEG,COPILOT ARMREST SUPPORT	2	3		
	60-530402-5	. . . LEG,PILOT ARMREST SUPPORT FWD	1	8		
	60-530402-6	. . . LEG,COPILOT ARMREST SUPPORT FWD	1	8		
	60-53042-19	. . . LEG,ARMREST SUPPORT AFT/PILOT & COPILOT/.	2	8		

BEECHCRAFT
DUKE B60
ILLUSTRATED PARTS CATALOG



VIEW A
COPILOT SEAT

B60-313-13

B E E C H C R A F T
DUKE B60
I L L U S T R A T E D P A R T S C A T A L O G

GAMA/ATA CODE & INDEX NO.	PART NO.	DESCRIPTION	1 2 3 4 5 6 7							UNITS PER ASSY	USABLE ON CODE
			1	2	3	4	5	6	7		
10-11 - 65	131354-1	. MOULDING,HEADREST/ALTERNATE FOR 131354-3/ . . .								2	1
	131354-3	. MOULDING,HEADREST/ALTERNATE FOR 131354-1/ . . .								2	1
- 66	13145	. SPRING,RETAINER								2	1
	60-530287-1	HEADREST ASSY								2	1
	60-530287-5	. COVER ASSY,HEADREST								1	1
	60-430020-101	TRACK,SEAT CENTER								2	1
	60-430020-103	TRACK,SEAT INBD & OUTBD								4	1
	002-430013-31	STOP,SEAT								4	1
		/ATTACHING PARTS/									
	MS27039-1-20	SCREW								1	
	MS21042L3	NUT								1	
		-----*									
58-530231-1	STOP,SEAT								2	1	
	/ATTACHING PARTS/										
LA3S-R1.030	PIN,QUICK RELEASE								1		
	-----*										

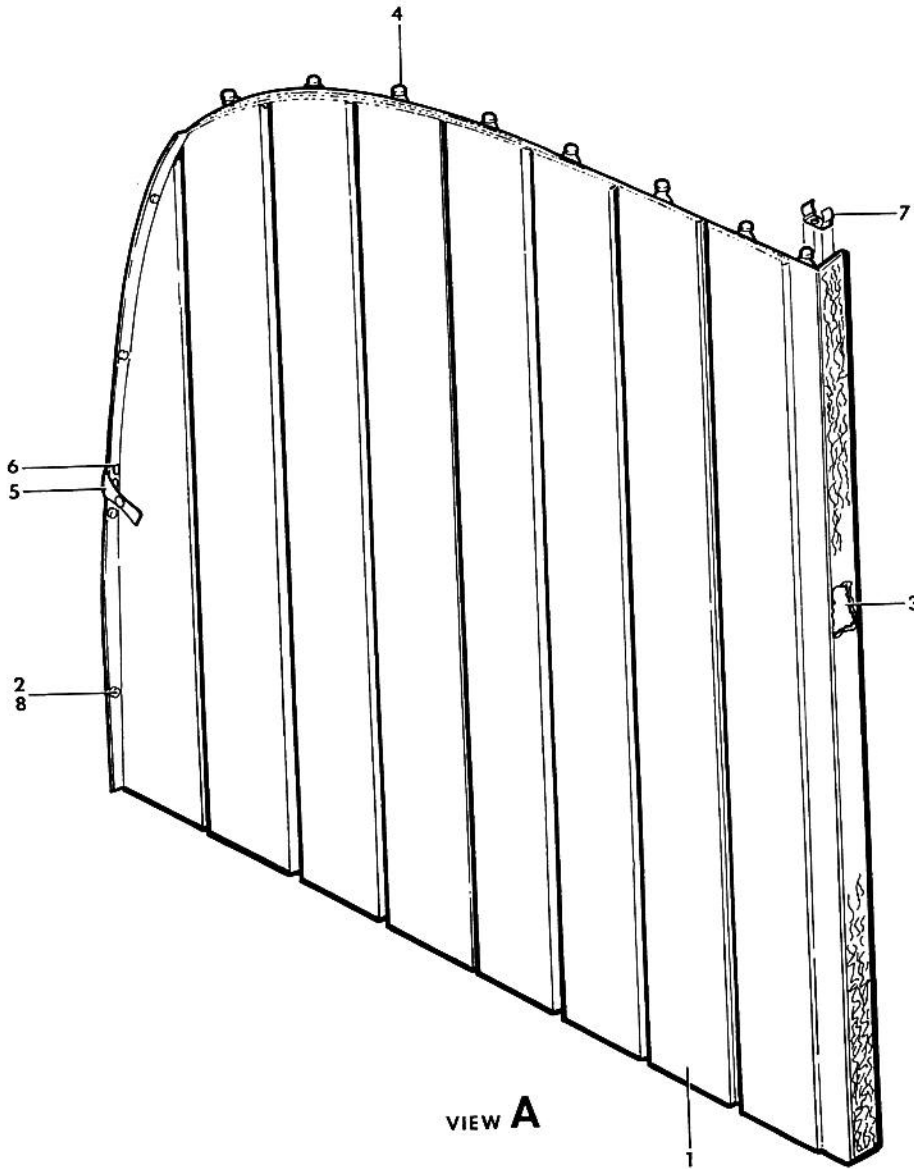
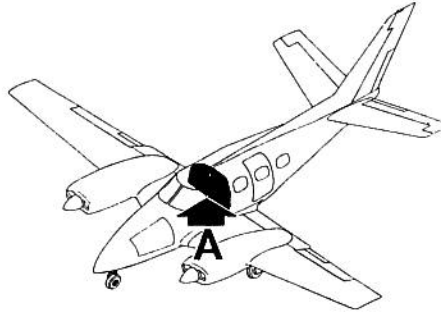
CODES OF EFFECTIVITY

1	P-410 AND AFTER	2	P-410 THRU P-445
3	P-446 THRU P-555	4	P-410 THRU P-510 P-512 THRU P-519
5	P-446 THRU P-510 P-512 THRU P-519	6	P-511, P-520 THRU P-555
7	P-511, P-520 AND AFTER	8	P-556 AND AFTER
9	P-446 AND AFTER		

BEECHCRAFT
DUKE B60
ILLUSTRATED PARTS CATALOG

25-10-20
PARTITION CURTAIN

BEECHCRAFT
DUKE 860
ILLUSTRATED PARTS CATALOG



B60-315-3

B E E C H C R A F T
DUKE B60
I L L U S T R A T E D P A R T S C A T A L O G

GAMA/ATA CODE & INDEX NO.	PART NO.	DESCRIPTION							UNITS PER ASSY	USABLE ON CODE
		1	2	3	4	5	6	7		
10-20	60-530213-21	CURTAIN INSTL							NP	1
	60-530366-1	CURTAIN INSTL							NP	2
- 1	60-530213-29	. CURTAIN ASSY,LH							1	1
	60-530366-3	. CURTAIN ASSY,LH							1	2
	60-530213-30	. CURTAIN ASSY,RH							1	1
	60-530366-4	. CURTAIN ASSY,RH							1	2
	60-530366-13	. . PANEL							1	2
	60-530366-14	. . PANEL							1	2
- 2	AN227-6	. . BUTTON							AR	
	AN227-7	. . SOCKET							AR	
- 3	60-530213-7	. . STRIP/ROYALITE/							1	1
	60-530366-15	. . STRIP/ROYALITE/							1	2
- 4	S3575	. . NYLON CARRIER							AR	
- 5	60-530213-11	. STRAP ASSY.							2	1
	60-530366-5	. STRAP ASSY,LOWER							2	2
	60-530366-9	. STRAP ASSY,UPPER							2	2
		/ATTACHING PARTS/								
- 6	NAS384-6-6P	. SCREW							1	
	NAS391-6P	. WASHER							1	
		-----*								
	60-530213-17	. . STRAP							1	1
	60-530366-7	. . STRAP,LOWER							1	2
	60-530366-11	. . STRAP,UPPER							1	2
	AN227-6	. . BUTTON							1	
	AN227-7	. . SOCKET							1	
	AN227-8	. . STUD							1	
	AN227-9	. . EYELET							1	
- 7	S3032	. SPRING,STOP							1	
- 8	AN227-10T6	. STUD,FWD CURTAIN							AR	
	60-530189-130	TRACK,CURTAIN LH.							1	
	60-530189-129	TRACK,CURTAIN CENTER.							1	
	60-530189-128	TRACK,CURTAIN RH.							1	

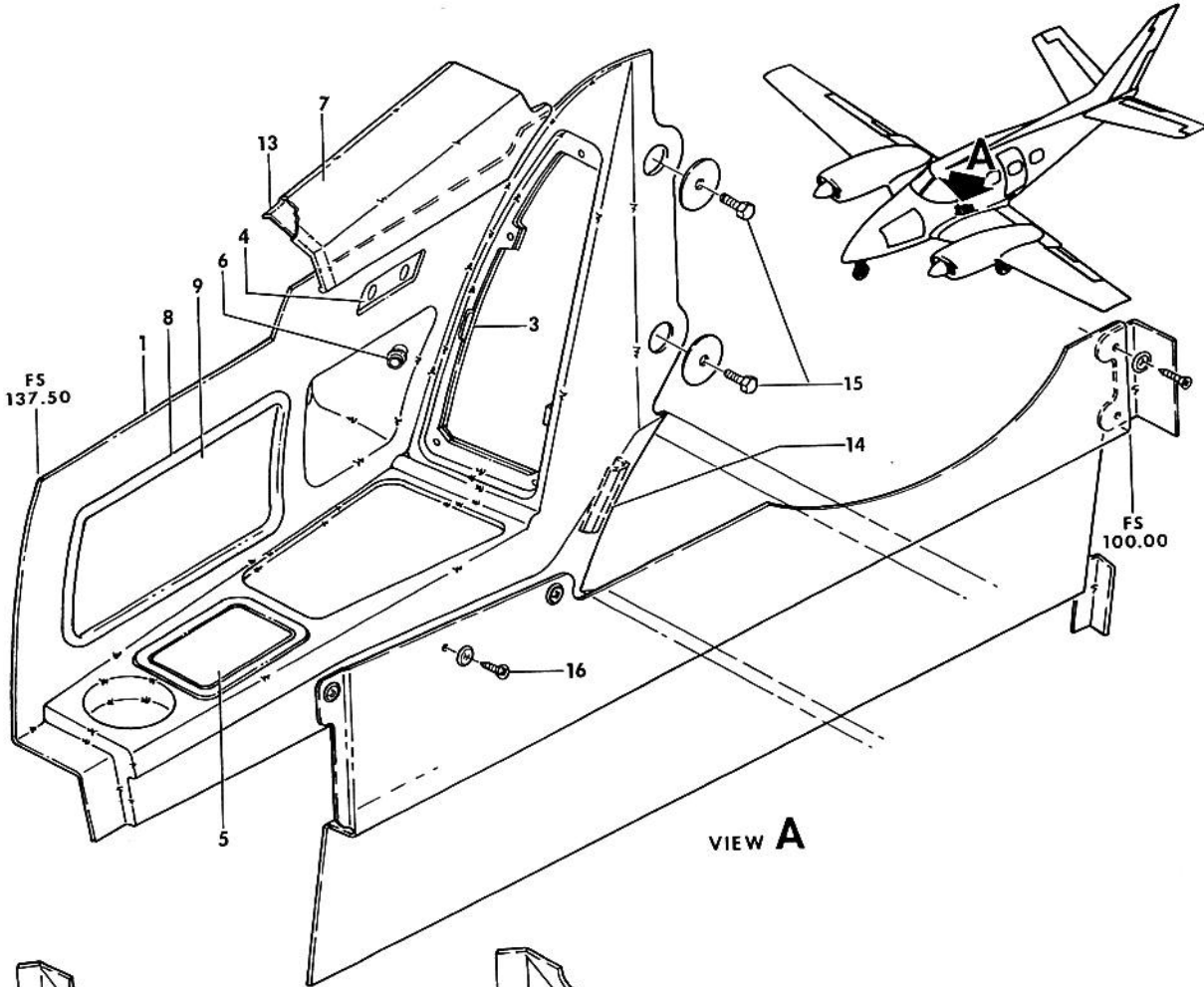
CODES OF EFFECTIVITY

1 P-247 THRU P-445 2 P-446 AND AFTER

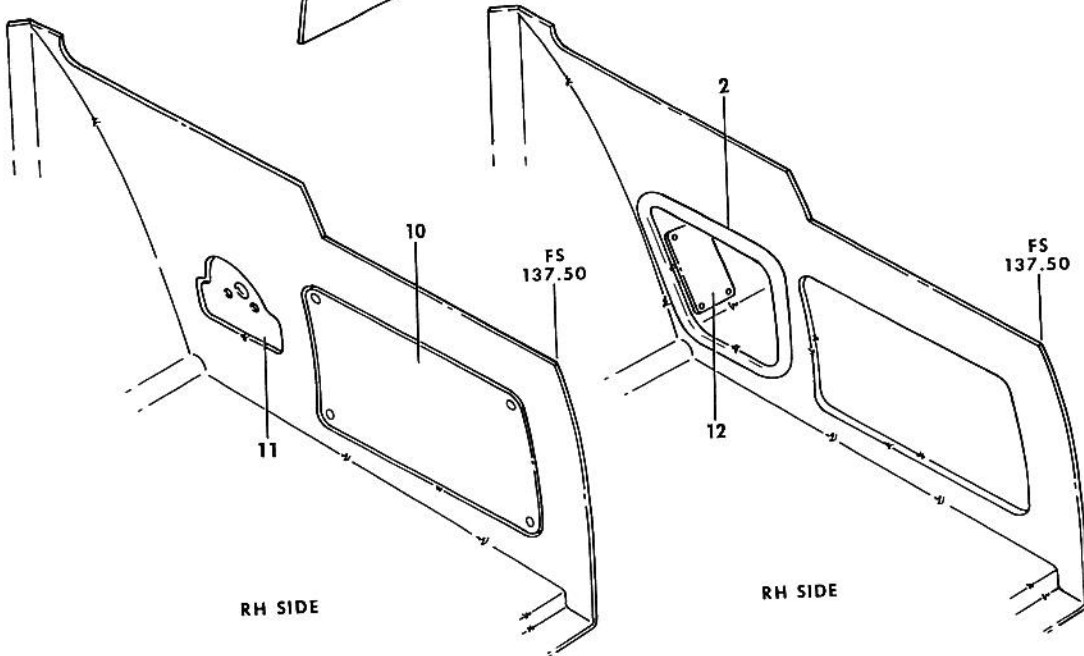
BEECHCRAFT
DUKE B60
ILLUSTRATED PARTS CATALOG

25-10-30
FLIGHT COMPARTMENT SIDE PANELS

BEECHCRAFT
DUKE B60
ILLUSTRATED PARTS CATALOG



VIEW A



RH SIDE

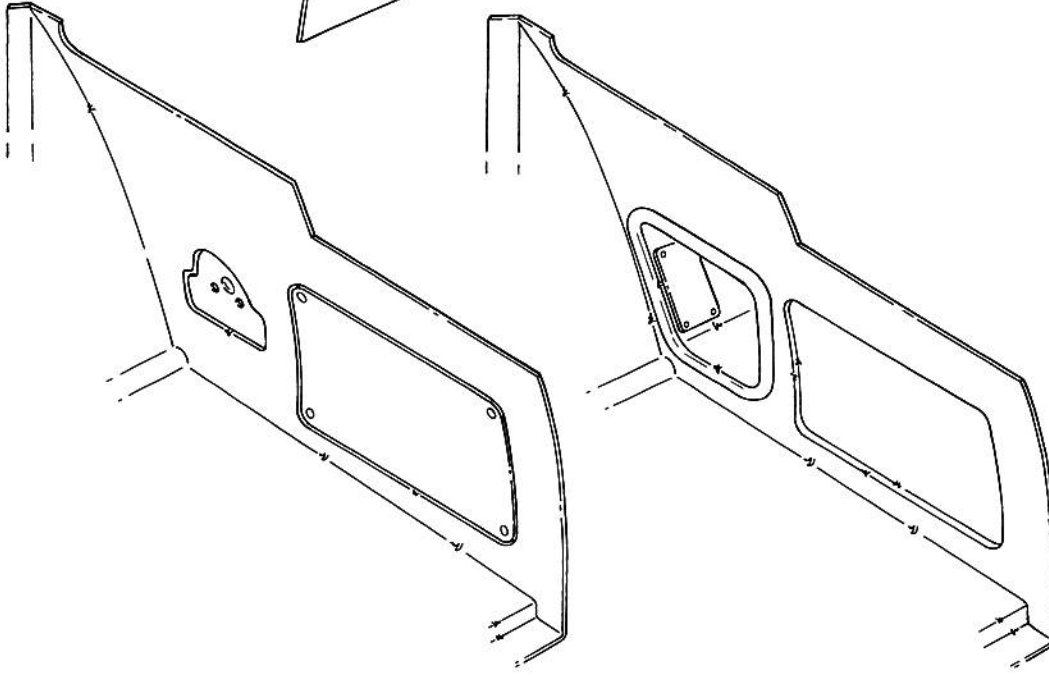
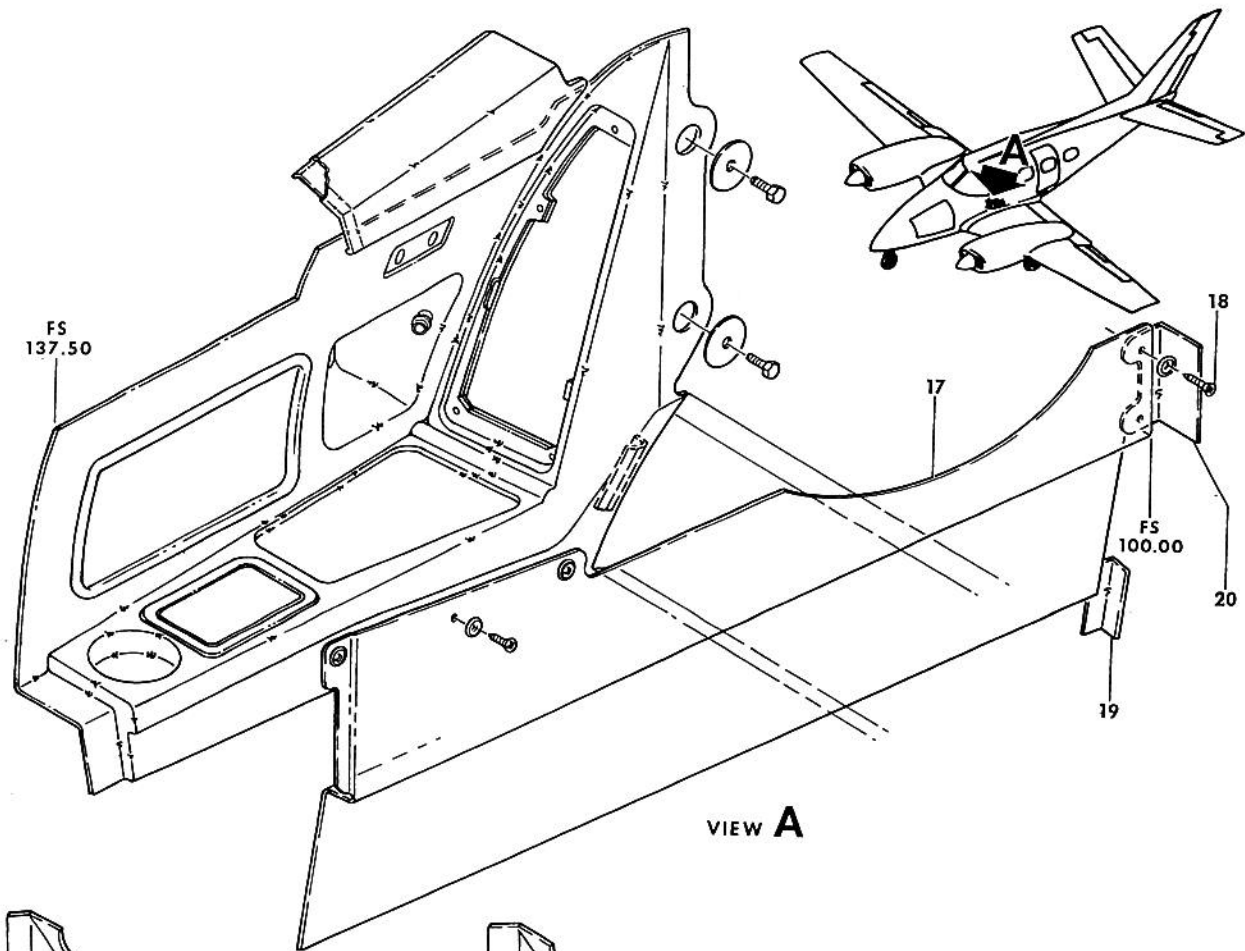
RH SIDE

B60-395-14

BEECHCRAFT
DUKE B60
ILLUSTRATED PARTS CATALOG

GAMA/ATA CODE & INDEX NO.	PART NO.	DESCRIPTION							UNITS PER ASSY	USABLE ON CODE
		1	2	3	4	5	6	7		
10-30	60-530198	ESCUTCHEON INSTL.	NP	
	60-530199-1	• ESCUTCHEON ASSY,LH.	1	5
	60-530357-1	• ESCUTCHEON ASSY,LH.	1	4
	60-530357-5	• ESCUTCHEON ASSY,LH.	1	9
	60-530199-2	• ESCUTCHEON ASSY,RH.	1	1
	60-530199-6	• ESCUTCHEON ASSY,RH.	1	3
	60-530357-2	• ESCUTCHEON ASSY,RH.	1	4
	60-530357-6	• ESCUTCHEON ASSY,RH.	1	9
- 1	60-530199-3	• ESCUTCHEON,LH	1	5
	60-530357-3	• ESCUTCHEON,LH	1	4
	60-530357-11	• ESCUTCHEON,LH	1	9
	60-530199-4	• ESCUTCHEON,RH	1	1
	60-530199-8	• ESCUTCHEON,RH	1	3
	60-530357-4	• ESCUTCHEON,RH	1	4
	60-530357-12	• ESCUTCHEON,RH	1	9
- 2	60-530199-10	• CUP	1	2
- 3	60-530170-1	• SUPPORT ASSY,LH	1	
	60-530170-2	• SUPPORT ASSY,RH	1	
	60-530170-3	• SUPPORT,LH.	1	
	60-530170-4	• SUPPORT,RH.	1	
	130290-4	• CLIP NUT,SELF-LOCKING	8	
- 4	60-530252-1	• PLATE,LH MIC & PHONE JACK IDENTIFICATION.	1	8
	60-530252-5	• PLATE,LH MIC & PHONE JACK IDENTIFICATION.	1	9
	60-530252-2	• PLATE,RH MIC & PHONE JACK IDENTIFICATION.	1	8
	60-530252-6	• PLATE,RH MIC & PHONE JACK IDENTIFICATION.	1	9
	2373-3	• AIR VALVE ASSY,PILOT & COPILOT VENT	1	9
	MS246938B51	• /ATTACHING PARTS/ • SCREW	4	9
- 5	3130	• ASHTRAY	2	
- 6	A8970B2-327	• POST LIGHT ASSY,LH.	1	
- 7	60-530281-1	• COVER ASSY,LH	1	8
	60-530281-7	• COVER ASSY,LH	1	9
	60-530281-2	• COVER ASSY,RH	1	8
	60-530281-8	• COVER ASSY,RH	1	9
		• /ATTACHING PARTS/ • TAPE	2	
- 8	60-530198-3	• GIMP,LH	1	
- 9	60-530096-5	• ESCUTCHEON,OXYGEN REGULATOR LH.	1	
		• /USE WHEN OXYGEN NOT INSTALLED/ • PLATE,RH AIRSPEED LIMITATIONS INSTRUCTIONS.	1	
- 10	60-324111-5	• /ATTACHING PARTS/ • SCREW	4	
	NAS384-6-8P	• WASHER.	4	
- 11	60-324088-9	• PLATE,RH ALTERNATE STATIC AIR VALVE INSTRUCT.	1	1
	PK89XA6-8	• /ATTACHING PARTS/ • SCREW	2	
- 12	60-530315-5	• PLATE,RH ALTERNATE STATIC AIR VALVE INSTRUCT.	1	2
- 13	60-530198-25	• CAP,LH.	1	
	60-530198-26	• CAP,RH.	1	
- 14	60-530198-1	• CLIP.	2	
- 15	130909B17	• BOLT.	4	
	60-530198-5	• WASHER.	4	
	NAS680A3	• NUTPLATE.	4	
- 16	NAS385-6-8P	• SCREW	6	
	NAS390B6P	• WASHER.	6	

BEECHCRAFT
DUKE B60
ILLUSTRATED PARTS CATALOG



B60-395-15

B E E C H C R A F T
DUKE B60
I L L U S T R A T E D P A R T S C A T A L O G

GAMA/ATA CODE & INDEX NO.	PART NO.	DESCRIPTION							UNITS PER ASSY	USABLE ON CODE
		1	2	3	4	5	6	7		
10-30	60-530064-17	CONSOLE INSTALLATION, FORWARD SECTION.							NP	
- 17	60-530064-25	. PANEL, LH.							1	6
	60-530064-29	. PANEL, LH.							1	7
	60-530064-27	. PANEL, RH.							1	6
	60-530064-31	. PANEL, RH.							1	7
		/ATTACHING PARTS/								
- 18	NAS387-632-8P	. SCREW							2	6
	6S	. WELL NUT.							2	6
- 19	60-530064-5	. CLIP.							2	
- 20	60-530064-7	. CLIP.							2	6
	60-530064-33	. BRACKET ASSY.							2	7

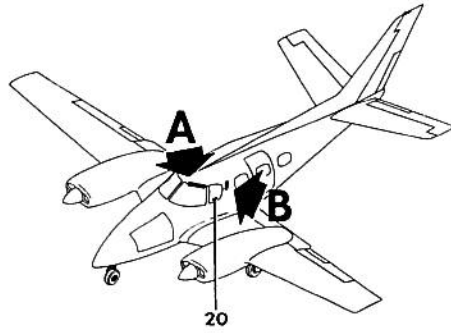
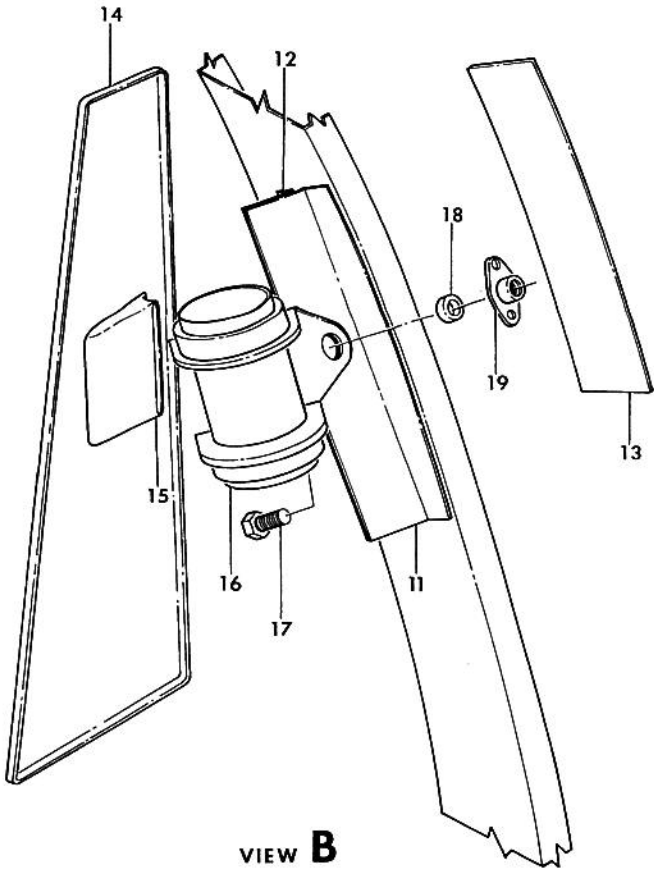
CODES OF EFFECTIVITY

1	P-247 THRU P-262	2	P-263 AND AFTER
3	P-263 THRU P-445	4	P-446 THRU P-555
5	P-247 THRU P-445	6	P-247 THRU P-471
7	P-472 AND AFTER	8	P-247 THRU P-555
9	P-556 AND AFTER		

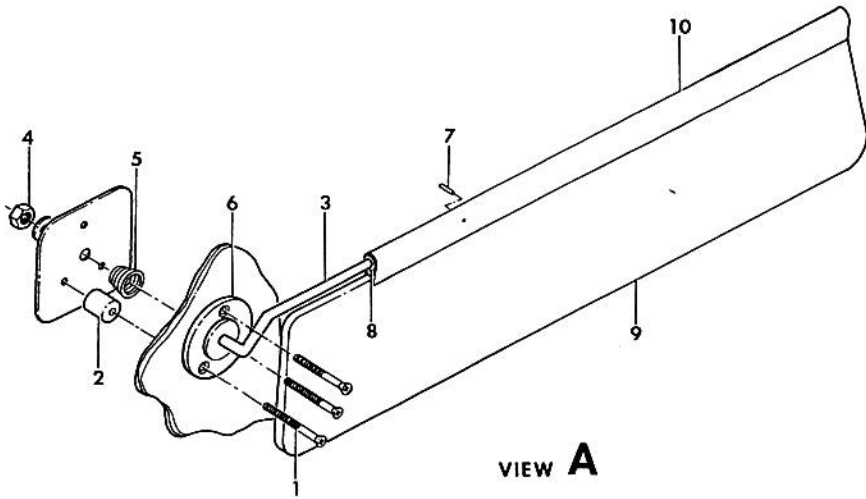
BEECHCRAFT
DUKE B60
ILLUSTRATED PARTS CATALOG

25-10-35
FLIGHT COMPARTMENT MISCELLANEOUS FURNISHINGS

BEECHCRAFT
DUKE B60
ILLUSTRATED PARTS CATALOG



VIEW B



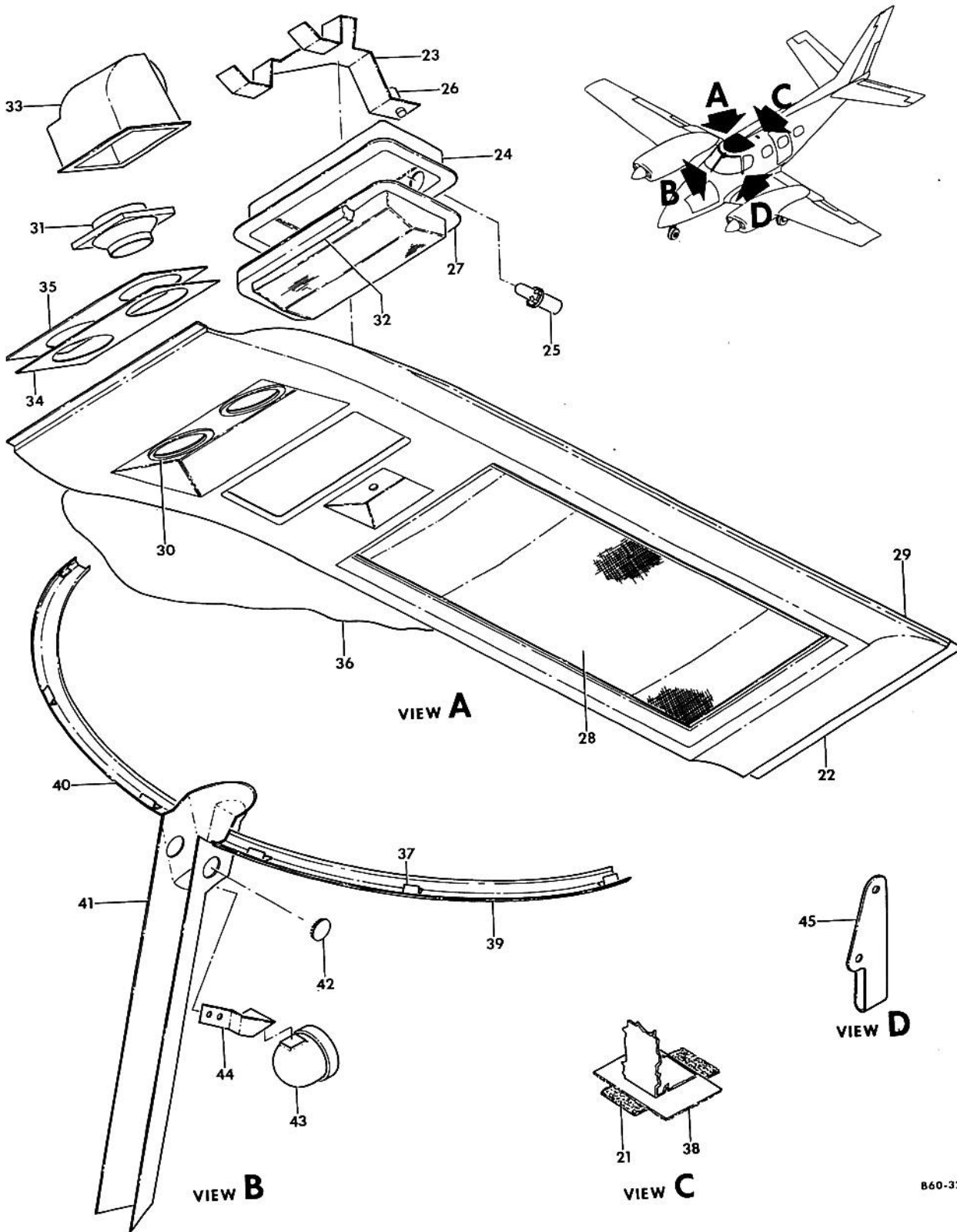
VIEW A

B60-324-10

B E E C H C R A F T
DUKE 860
I L L U S T R A T E D P A R T S C A T A L O G

GAMA/ATA CODE & INDEX NO.	PART NO.	DESCRIPTION							UNITS PER ASSY	USABLE ON CQUE
		1	2	3	4	5	6	7		
10-35	60-530206-1	SUNVISOR INSTALLATION	NP	6	
	R 60-530383-1	SUNVISOR INSTALLATION	NP	12	
	R 60-530415-1	SUNVISOR INSTALLATION	NP	11	
	60-530206-3	. SUNVISOR ASSY,LH.	1	6	
	R 60-530383-3	. SUNVISOR ASSY,LH.	1	12	
	R 60-530415-3	. SUNVISOR ASSY,LH.	1	11	
	60-530206-4	. SUNVISOR ASSY,RH.	1	6	
	R 60-530383-4	. SUNVISOR ASSY,RH.	1	12	
	R 60-530415-4	. SUNVISOR ASSY,RH.	1	11	
		/ATTACHING PARTS/								
- 1	AN509-8R14	. SCREW	3	6	
	MS24694S11	. SCREW	3	7	
- 2	R 1006960-ZC068	. SPACER	3	12	
		→								
	R NAS43003-22	. SPACER	3	11	
- 3	R 60-530206-5	. ROD ASSY,LH	1	12	
	R 60-530415-7	. ROD ASSY,LH	1	11	
	R 60-530206-6	. ROD ASSY,RH	1	12	
	R 60-530415-8	. ROD ASSY,RH	1	11	
		/ATTACHING PARTS/								
- 4	R MS21042L3	. NUT	1	12	
	R AN960-10L	. WASHER	1	12	
		→								
	58-530131-1	. BUSHING	1	11	
- 5	R 95-534037	. SPRING	1	12	
- 6	R 60-530124-11	. PIVOT	1	12	
	R 60-530416-1	. SUPPORT	1	11	
- 7	MS9048-068	. ROLL PIN	1		
	D366	. SCREW	1	7	
	D4023	. POST	1	7	
	106-530032-15	. SPACER	2	7	
- 8	R 60-530124-9	. ADAPTER	1	12	
- 9	60-530206-35	. SHADE	1	6	
	R 60-530383-5	. SHADE	1	12	
	R 60-530415-9	. BLADE	1	11	
	SS98577	. CLIP	2	6	
- 10	60-530206-37	. SUPPORT	1	6	
	R 60-530383-13	. SUPPORT	1	12	
	R 60-530415-5	. SUPPORT	1	11	
	60-5021-15	KIT, SHOULDER HARNESS/PILOT & COPILOT/	1	10	
	60-530317-1	HARNESS INSTL, SHOULDER/PILOT AND CO-PILOT/	NP	1	
	R 60-530317-25	. BRACKET ASSY,LH	1	1	
	R 60-530317-27	. BRACKET ASSY,RH	1	1	
- 11	R 60-530317-29	. BRACKET,LH	1	1	
	R 60-530317-33	. BRACKET,RH	1	1	
- 12	R 60-530317-31	. BRACKET,LH	1	1	
	R 60-530317-35	. BRACKET,RH	1	1	
- 13	60-530317-15	. DOUBLER,LH	1	1	
	60-530317-17	. DOUBLER,RH	1	1	
- 14	60-530317-21	. PANEL ASSY,LH	1	1	
	60-530317-19	. PANEL ASSY	1	1	
- 15	60-530317-23	. GROMMET	1	1	
	60-530317-20	. PANEL ASSY,RH	1	1	
	60-530317-22	. PANEL ASSY	1	1	
	60-530317-24	. GROMMET	1	1	
	NAS384-8-12P	. SCREW	2	1	
- 16	500765-403	. KEEL ASSY, SEAT BELT	1	1	
		/ATTACHING PARTS/								
- 17	AN5-5A	. BOLT	1	1	
- 18	60-530361-1	. SPACER	1	1	
	AN960-616	. WASHER	1		
		→								
- 19	NAS697A5	. NUTPLATE	1	1	
- 20	60-530322-1	. DECAL	1	1	

BEECHCRAFT
DUKE B60
ILLUSTRATED PARTS CATALOG

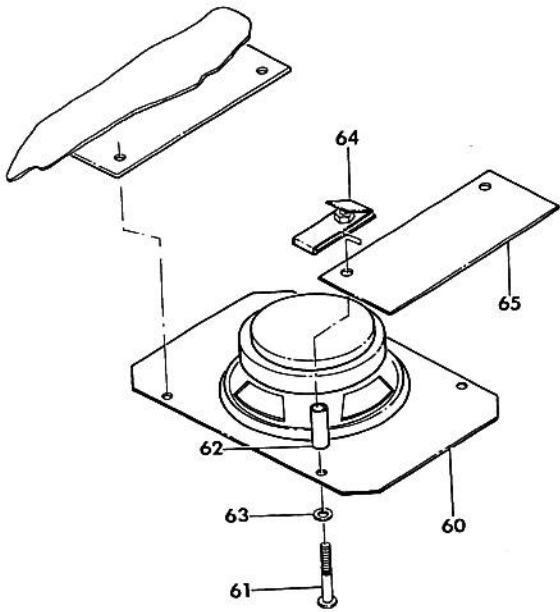


860-324-11

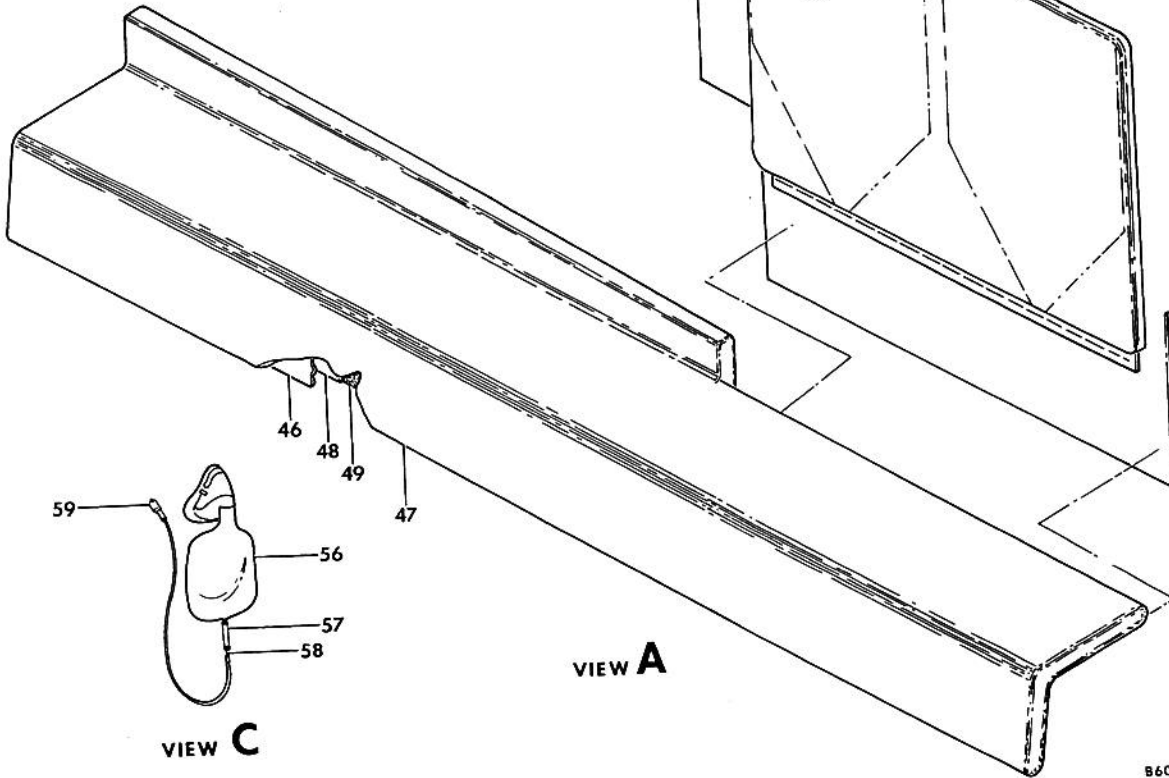
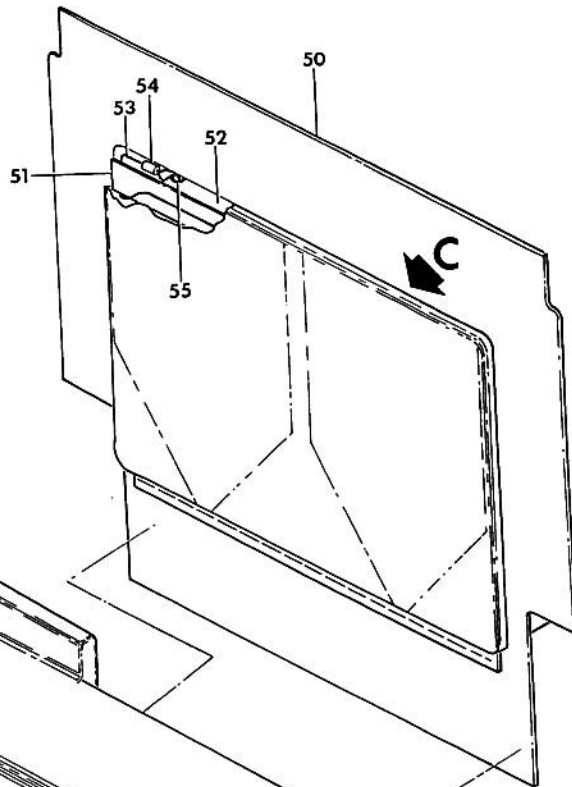
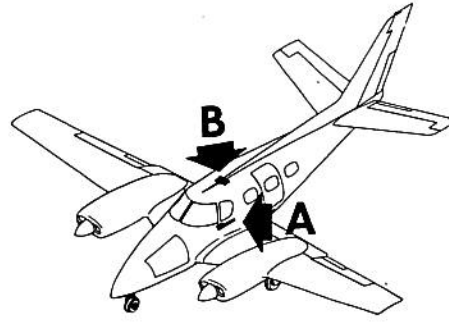
B E E C H C R A F T
DUKE B60
I L L U S T R A T E D P A R T S C A T A L O G

GAMA/ATA CODE & INDEX NO.	PART NO.	DESCRIPTION							UNITS PER ASSY	USABLE ON CODE
		1	2	3	4	5	6	7		
10-35	60-530189-7	HEADLINER ASSY,FLIGHT COMPARTMENT	1	
- 21	60-530189-5	. RETAINER,PILE VELCRO PRECOAT TAPE	10	
	60-530189-31	. ESCUTCHEON ASSY	1	8
	60-530189-163	. ESCUTCHEON ASSY	1	9
- 22	60-530189-93	. ESCUTCHEON.	1	8
	60-530189-165	. ESCUTCHEON.	1	9
- 23	60-530189-99	. LIGHT SUPPORT BRACKET	1	8
	60-530189-55	. LIGHT HOUSING ASSY.	1	8
- 24	60-530189-39	. LIGHT HOUSING	1	8
- 25	2506	. SOCKET.	2	
- 26	L-18366-3	. SWITCH/ALTERNATE FOR J20125-03/	1	
	J20125-03	. SWITCH-ALTERNATE FOR L-18366-3.	1	
- 27	60-530189-27	. LENS.	1	8
	58-530106-11	. LENS.	1	9
- 28	60-530189-95	. SPEAKER GRILL	1	
- 29	60-530189-97	. EDGING.	2	8
- 30	7194-1	. COVER PLATE	2	
- 31	2368-503	. AIR VALVE	2	
	MS24693S51	. SCREW	8	
	MK1000-08	. NUTPLATE.	8	
- 32	60-530189-91	. GASKET.	1	8
- 33	60-530189-125	. PLENUM ASSY	1	
	60-530189-45	. PLENUM,LH	1	
	60-530189-46	. PLENUM,RH	1	
	60-530189-47	. TUBE,LH	1	
	60-530189-48	. TUBE,RH	1	
- 34	60-530189-85	. GASKET.	1	
- 35	60-530189-123	. DOUBLER	1	
- 36	60-530189-49	. HEADLINER,FLIGHT COMPARTMENT.	1	
- 37	60-530189-3	. CLIP.	6	
- 38	60-530189-21	. RETAINER,HOOK VELCRO TAPE	8	
- 39	60-530192-1	. RETAINER,HEADLINER-FWD,LH	1	
- 40	60-530192-2	. RETAINER,HEADLINER-FWD,RH	1	
- 41	60-530232-1	. ESCUTCHEON,WINDSHIELD POST.	1	
	60-324146-1	COMPASS INSTL,MAGNETIC.	NP	
- 42	NAS451-52	. PLUG BUTTON,BRASS-PAINTED BLACK	2	
	AN520B10R8	. SCREW	2	
	MS20365B1032	. NUT	2	
	60-324146-5	. COMPASS ASSY.	1	
- 43	C2400L4VT95B	. COMPASS,MAGNETIC.	1	
- 44	60-324146-11	. BRACKET	1	
	AN515B4R6	. SCREW	3	
	MS20365B440	. NUT	3	
	60-340189-1	HOOK INSTALLATION,MICROPHONE.	NP	
- 45	60-340189-7	. MICROPHONE HOOK,LH.	1	
	60-340189-8	. MICROPHONE HOOK,RH.	1	
		/ATTACHING PARTS/		
	MS24693S6	. SCREW	2	

BEECHCRAFT
DUKE B60
ILLUSTRATED PARTS CATALOG



VIEW B



VIEW A

VIEW C

B60-324-12

BEECHCRAFT
DUKE B60
ILLUSTRATED PARTS CATALOG

GAMA/ATA CODE & INDEX NO.	PART NO.	DESCRIPTION							UNITS PER ASSY	USABLE ON CODE
		1	2	3	4	5	6	7		
10-35	60-530272-1	ARMREST INSTL,FLIGHT COMPARTMENT.	NP	
	60-530272-3	. ARMREST ASSEMBLY,LH	1	
	60-530272-4	. ARMREST ASSEMBLY,RH	1	
- 46	60-530272-5	. FORMER,LH	1	
	60-530272-6	. FORMER,RH	1	
- 47	60-530272-7	. COVER,LH	1	
	60-530272-8	. COVER,RH	1	
- 48	SJ3509	. HOOK	AK	
- 49	SJ3514	. LGUP,PILE	AR	
	60-530185-1	POCKET INSTL,STOWAGE-PILOT OXYGEN MASK.	NP	5
	60-530185-31	POCKET INSTL,STOWAGE/PILOT OXYGEN MASK/	NP	6
	60-530185-2	POCKET INSTL,STOWAGE-CO-PILOT OXYGEN MASK	NP	5
	60-530185-32	POCKET INSTL,STOWAGE/COPILLOT OXYGEN MASK/	NP	6
	60-530185-33	. POCKET ASSEMBLY,LH-PILOT.	1	
	60-530185-34	. POCKET ASSEMBLY,RH-CO-PILOT	1	
- 50	60-530185-5	. POCKET,LH	1	
	60-530185-6	. POCKET,RH	1	
- 51	60-530185-19	. STIFFENER	1	
- 52	60-530185-23	. ELASTIC ASSEMBLY.	1	
- 53	NO. 2	. CABLE	1	
	295902	. GROMMET	2	
- 54	34138	. CONNECTOR	2	
	60-530185-35	. COVER ASSEMBLY.	1	
- 55	GS6-3	. EYELET.	1	
- 56	801145-00	MASK ASSEMBLY,OXYGEN.	1	
	800717-00	. MASK,OXYGEN	1	
- 57	3/16ID X 062W	. TUBING.	1	
- 58	8540	. INDICATOR,OXYGEN FLOW	1	
- 59	8540	. CONNECTOR	1	
	60-530180	RADIO SPEAKER INSTL,FLIGHT COMPARTMENT.	NP	2
	60-340239-1	RADIO SPEAKER INSTL,FLIGHT COMPARTMENT.	NP	5
	60-340272-1	RADIO SPEAKER INSTL,FLIGHT COMPARTMENT.	NP	4
	P5	. SPEAKER	1	2
- 60	A46FC	. SPEAKER	1	3
		/ATTACHING PARTS/								
	AN515-4R22	. SCREW	2	2
	AN515-4R20	. SCREW	2	2
- 61	MS27039-1-20	. SCREW	4	3
	100696A-ZA028	. SPACER.	2	2
	100696A-ZA021	. SPACER.	2	2
- 62	100696D-CZ027	. SPACER.	4	3
- 63	AN960D10L	. WASHER.	4	3
	MS21044D04	. NUT	2	2
	MS21075-04	. NUTPLATE	2	2
- 64	130290-2	. CLIPNUT	4	3
		-----*								
- 65	60-340272-3	. PLATE	2	4

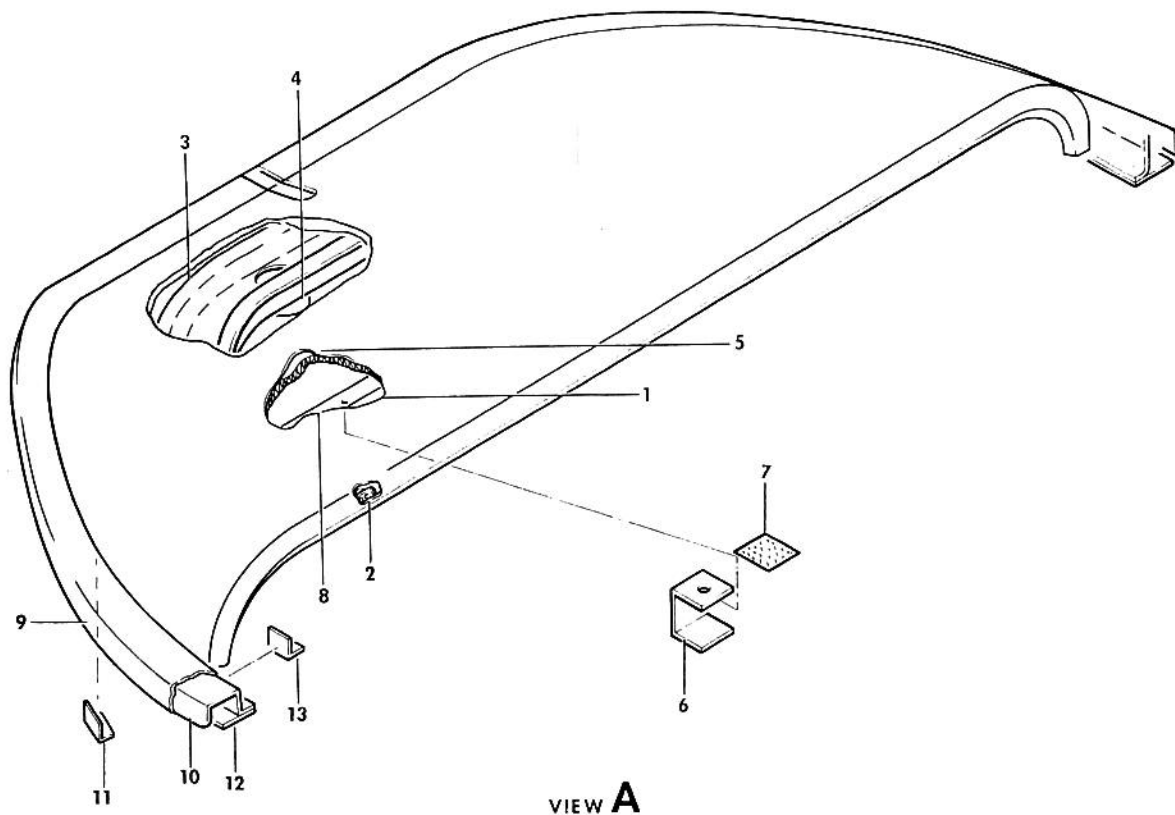
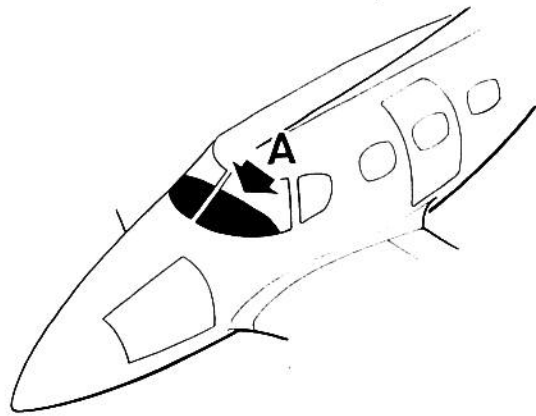
CODES OF EFFECTIVITY

1	P-389 AND AFTER	2	P-247 THRU P-307
3	P-308 AND AFTER	4	P-437
			P-440 AND AFTER
5	P-308 THRU P-436	6	P-247 THRU P-510
	P-438 AND P-439		P-512 THRU P-519
7	P-511,	8	P-247 THRU P-555
	P-520 AND AFTER		
9	P-556 AND AFTER	10	P-247 THRU P-388
11	P-571 AND AFTER	12	P-511,
			P-520 THRU P-570

B E E C H C R A F T
DUKE B60
I L L U S T R A T E D P A R T S C A T A L O G

25-10-40
GLARESHIELD

BEECHCRAFT
DUKE B60
ILLUSTRATED PARTS CATALOG



VIEW A

B60-324-5

FIGURE 10-40.GLARESHIELD

B E E C H C R A F T
DUKE B60
I L L U S T R A T E D P A R T S C A T A L O G

SUB-SECT UNIT & ITEM NO.	PART NO.	DESCRIPTION	UNITS PER ASSY	USABLE ON CODE
		1 2 3 4 5 6 7		
10-40	60-530195-37	GLARESHIELD INSTL	NP	1
	60-530195-63	GLARESHIELD INSTL	NP	2
	60-530195-19	. GLARESHIELD ASSY, COVERED.	1	1
	60-530195-65	. GLARESHIELD ASSY, COVERED.	1	2
- 1	60-530195-21	. . GLARESHIELD ASSY.	1	1
	60-530195-67	. . GLARESHIELD ASSY.	1	2
- 2	MS21069L06K	. . NUTPLATE.	8	
- 3	60-530195-69	. . PAN, GLARESHIELD	1	
- 4	60-530195-47	. . SLEEVE.	1	
	R 60-530341-3	. . ESCUTCHEON, DEFROST OUTLET	5	
- 5	60-530195-39	. . COVER, GLARESHIELD	1	3
	60-530195-59	. . COVER, GLARESHIELD	1	4
- 6	60-324000-75	. . CLIP.	3	
- 7	R SJ3511	. . HOOK.	3	
- 8	R SJ3537	. . LOOP/LENGTH AS REQUIRED/.	1	
	60-530020-11	. . RING ASSY, GLARE SHIELD LH SUPPORT	1	
	60-530020-12	. . RING ASSY, GLARE SHIELD RH SUPPORT	1	
- 9	60-530020-21	. . COVER, LH SUPPORT.	1	
	60-530020-22	. . COVER, RH SUPPORT.	1	
- 10	60-530020-23	. . RING, LH SUPPORT	1	
	60-530020-24	. . RING, RH SUPPORT	1	
- 11	60-530020-25	. . CLIP.	4	
		/ATTACHING PARTS/		
	NAS384-6-6	. . SCREW	4	
		*		
- 12	60-530020-27	. . SUPPORT	2	
- 13	60-530020-35	. . CLIP.	2	
		/ATTACHING PARTS/		
	AN515-6R7	. . SCREW	2	
	MS21042L06	. . NUT	2	
		*		

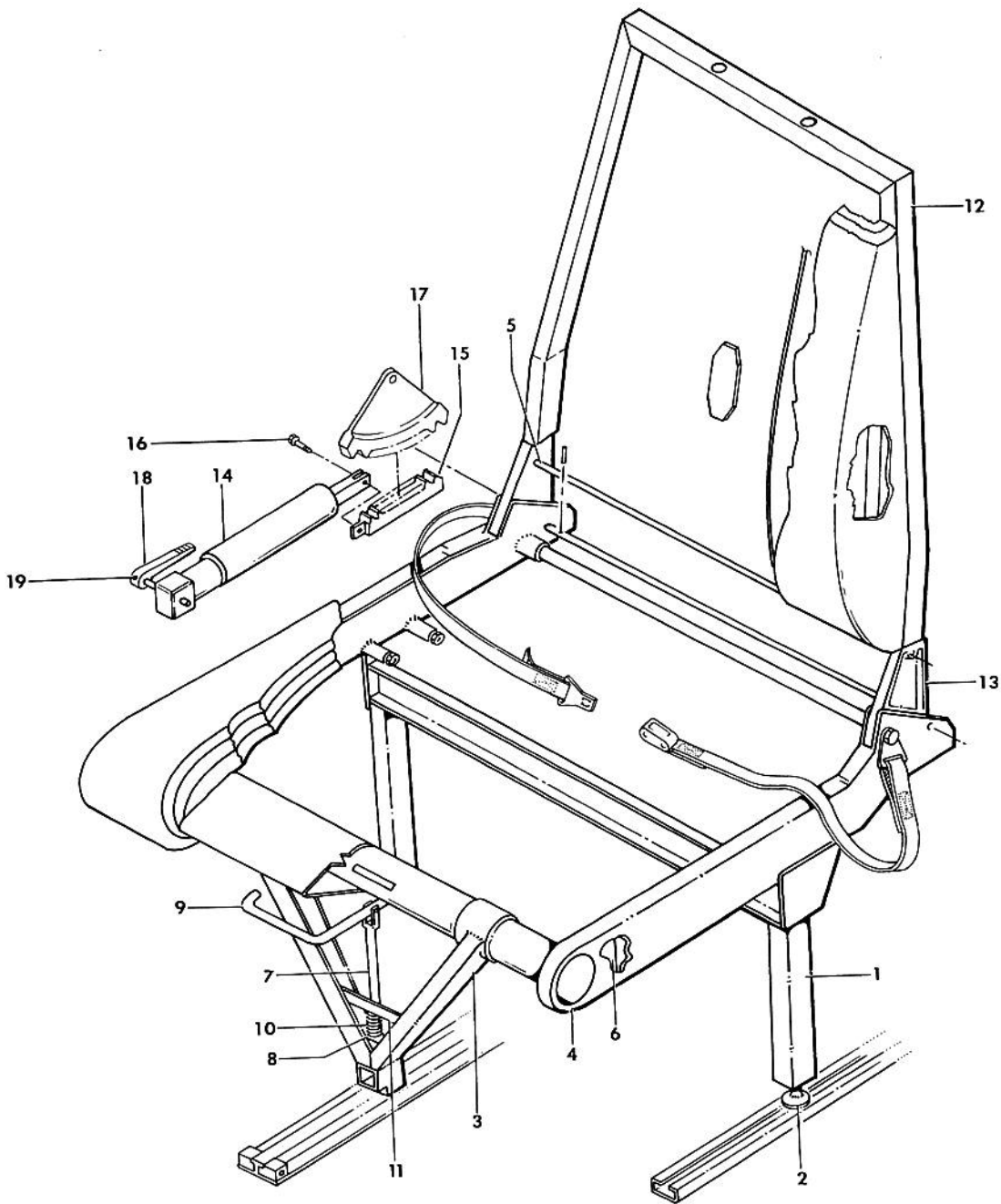
CODES OF EFFECTIVITY

1	P-247 THRU P-374	2	P-375 AND AFTER
3	P-247 THRU P-445	4	P-446 AND AFTER

BEECHCRAFT
DUKE B60
ILLUSTRATED PARTS CATALOG

25-20-01
PASSENGER SEATS
/3RD AND 4TH/

BEECHCRAFT
DUKE B60
ILLUSTRATED PARTS CATALOG

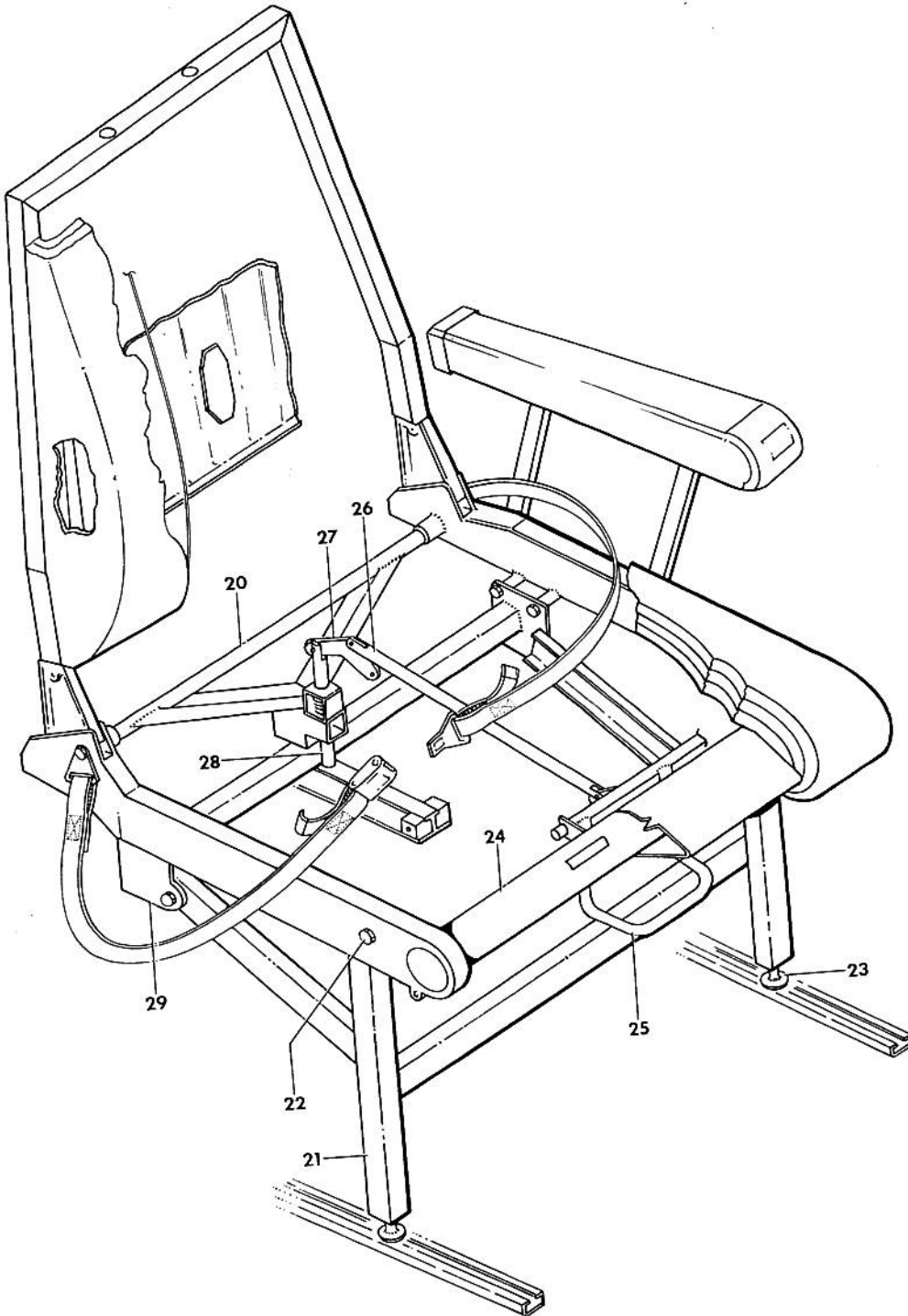


B60-314-5

BEECHCRAFT
DUKE 660
ILLUSTRATED PARTS CATALOG

GAMA/ATA CODE & INDEX NO.	PART NO.	DESCRIPTION	UNITS PER ASSY	USABLE ON CODE
20-01	60-530283	SEATING INSTL,PASSENGER	NP	
	60-530294-5	. SEAT ASSY,LH 3RD AFT FACING/WITH CAM BACK/.	1	11
	60-530294-69	. SEAT ASSY,LH 3RD AFT FACING/WITH CAM BACK/.	1	12
	60-530294-6	. SEAT ASSY,RH 4TH AFT FACING/WITH CAM BACK/.	1	11
	60-530294-70	. SEAT ASSY,RH 4TH AFT FACING/WITH CAM BACK/.	1	12
	60-530294-7	. SEAT ASSY,LH 3RD FWD FACING/WITH ROTON BACK/.	1	1
	60-530294-29	. SEAT ASSY,LH 3RD FWD FACING/WITH ROTON BACK/.	1	13
	60-530294-71	. SEAT ASSY,LH 3RD FWD FACING/WITH ROTON BACK/.	1	12
	60-530294-8	. SEAT ASSY,RH 4TH FWD FACING/WITH ROTON BACK/.	1	1
	60-530294-30	. SEAT ASSY,RH 4TH FWD FACING/WITH ROTON BACK/.	1	13
	60-530294-72	. SEAT ASSY,RH 4TH FWD FACING/WITH ROTON BACK/.	1	12
	60-530016-67	. . FRAME ASSY,LH FWD FACING SEAT	1	1
	60-530016-68	. . FRAME ASSY,RH FWD FACING SEAT	1	1
	60-530247	. . . ROLLER,SEAT	2	1
		/ATTACHING PARTS/		
	AN3-14A	. . . BOLT	1	
	MS21042L3	. . . NUT	1	
	AN960-10	. . . WASHER	1	
	102933D42J0280	. . . SPACER	1	
	100943ZA016J	. . . SPRING	1	
	60-530016-3	. . . LEG ASSY,SEAT /WELDED/.	1	1
		/ATTACHING PARTS/		
	AN525-10R24	. . . SCREW	4	
	MS21042L3	. . . NUT	4	
	AN960-10	. . . WASHER	4	
- 1	60-530016-5 WELD ASSY,REAR LEG.	1	1
- 2	100-530448-7 FOOT	2	1
- 3	60-530016-7 WELD ASSY,FRONT SUPPORT	1	1
- 4	60-530039-1 FRAME,SIDE	1	1
	60-530039-2 FRAME,SIDE	1	1
- 5	60-530016-47 TUBE,SEAT /AFT/	1	1
- 6	60-530016-9 FITTING ASSY,WELDED	2	1
		/ATTACHING PARTS/		
	AN525-10R7 SCREW	4	
	AN525-10R9 SCREW/RH SIDE	4	
	AN960-10 WASHER	8	
	MS21042L3 NUT	8	
- 7	60-530016-59 LINK ASSY,LOCK ACTUATING.	1	1
		/ATTACHING PARTS/		
	AN392-17 PIN	3	
	MS24665-132 PIN,COTTER.	3	
	AN960-4 WASHER	3	
- 8	100943ZS0276 SPRING,SEAT RELEASE	1	1
	AN960-416 WASHER,SEAT RELEASE SPRING.	2	1
- 9	60-530016-25 HANDLE,SEAT RELEASE	1	1
- 10	60-530016-37 PIN,SEAT POSITION LOCKING	1	1
- 11	60-530016-63 BRACKET,SEAT RELEASE PIN.	1	1
	60-530296-7 BACK ASSY	1	1
- 12	60-530296-11 WELD ASSY	1	1
- 13	60-530040-1 ADAPTER	2	1
- 14	36-380064-1 ACTUATOR ASSY,SEAT RECLINE LOCK	1	1
- 15	60-530054-1 RACK ASSY,SEAT BACK ADJUSTMENT GEAR	1	1
		/ATTACHING PARTS/		
- 16	130909836 BOLT	1	
- 17	60-530041-1 GEAR,SEAT BACK ADJUSTMENT	1	1
- 18	60-530052-3 HANDLE,ROTON LOCK	1	1
		/ATTACHING PARTS/		
- 19	MS171498 PIN	1	
	R 42ND8-048 NUT,CAP	1	2

BEECHCRAFT
DUKE B60
ILLUSTRATED PARTS CATALOG



860-314-7

B E E C H C R A F T
DUKE B60
I L L U S T R A T E D P A R T S C A T A L O G

GAMA/ATA CODE & INDEX NO.	PART NO.	DESCRIPTION							UNITS PER ASSY	USABLE ON CODE
		1	2	3	4	5	6	7		
20-01	60-530136-71	1	
	60-530136-72	1	
	60-530136-3	1	
	60-530247	2	
		/ATTACHING PARTS/								
	AN3-14A	1	
	MS21042L3	1	
	AN960-10	1	
	102933D4ZJ0190	2	
	100943ZA016J	1	

- 20	60-530136-5	1	
- 21	60-530136-65	1	
		/ATTACHING PARTS/								
- 22	AN3-24A	1	
	MS21042L3	7	
	AN960-10L	7	

- 23	100-530448-7	2	
- 24	60-530136-11	1	
- 25	60-530136-9	1	
		/ATTACHING PARTS/								
	AN960-616	2	
	MS171435	2	

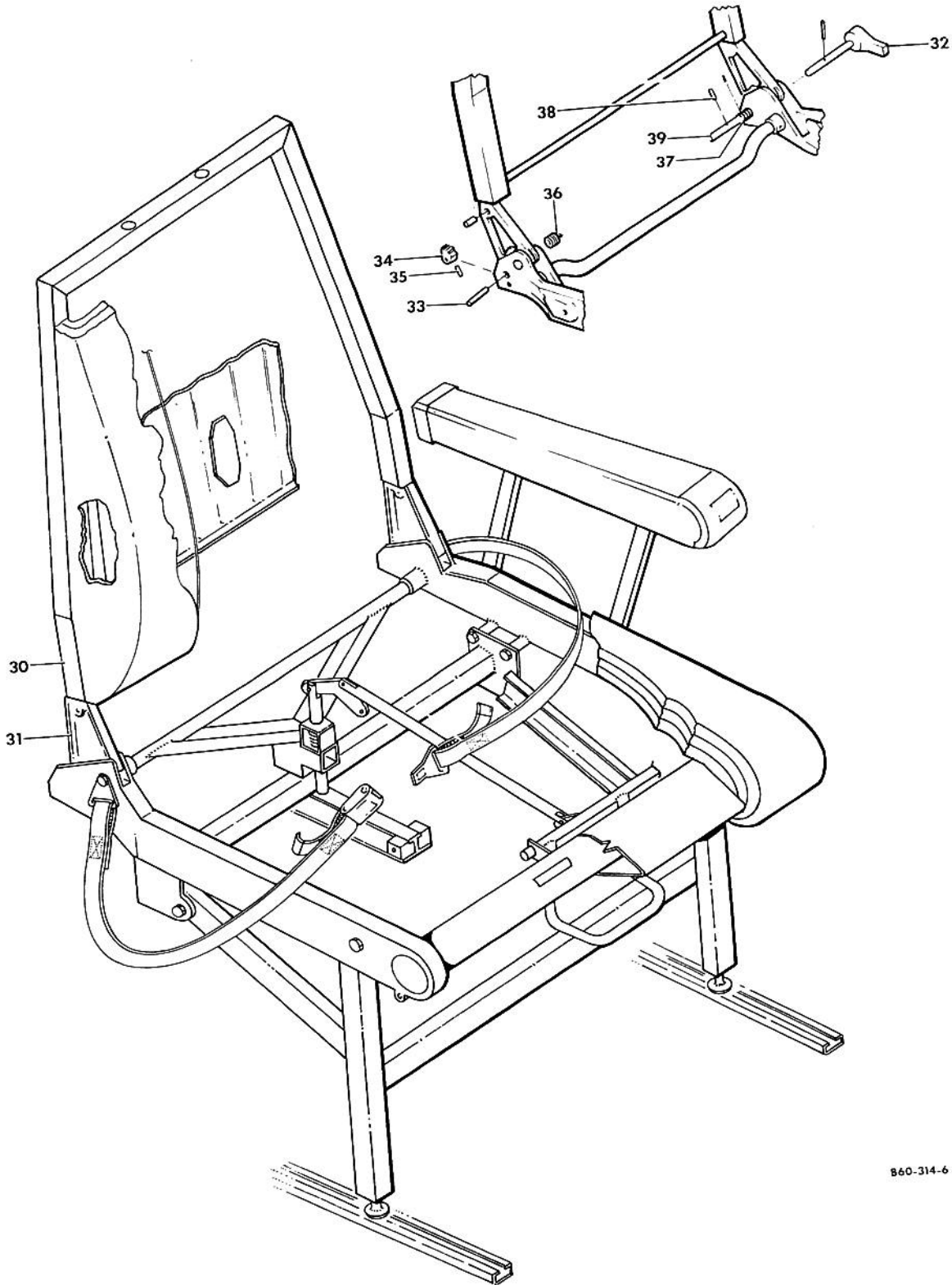
- 26	60-530136-35	1	
		/ATTACHING PARTS/								
	AN525-832R10	1	
	130909N28	1	
	AN960-8L	1	

- 27	60-530136-33	1	
		/ATTACHING PARTS/								
	AN525-832R26	2	
	130909N28	2	
	AN960-8L	2	

- 28	60-530136-31	1	
		/ATTACHING PARTS/								
	100943ZS027G	1	
	AN960-416	1	
	MS171436	1	

- 29	60-530039-23	1	
	60-530039-24	1	

BEECHCRAFT
DUKE B60
ILLUSTRATED PARTS CATALOG



860-314-6

B E E C H C R A F T
DUKE B60
I L L U S T R A T E D P A R T S C A T A L O G

GAMA/ATA CODE & INDEX NO.	PART NO.	DESCRIPTION							UNITS PER ASSY	USABLE ON CODE
		1	2	3	4	5	6	7		
20-01	58-530026-43	1	
		/ATTACHING PARTS/								
	AN3-14A	2	
	22K2-048	2	
	AN960-10	2	
	102933D5ZM0190	2	
	100951X032VB	2	

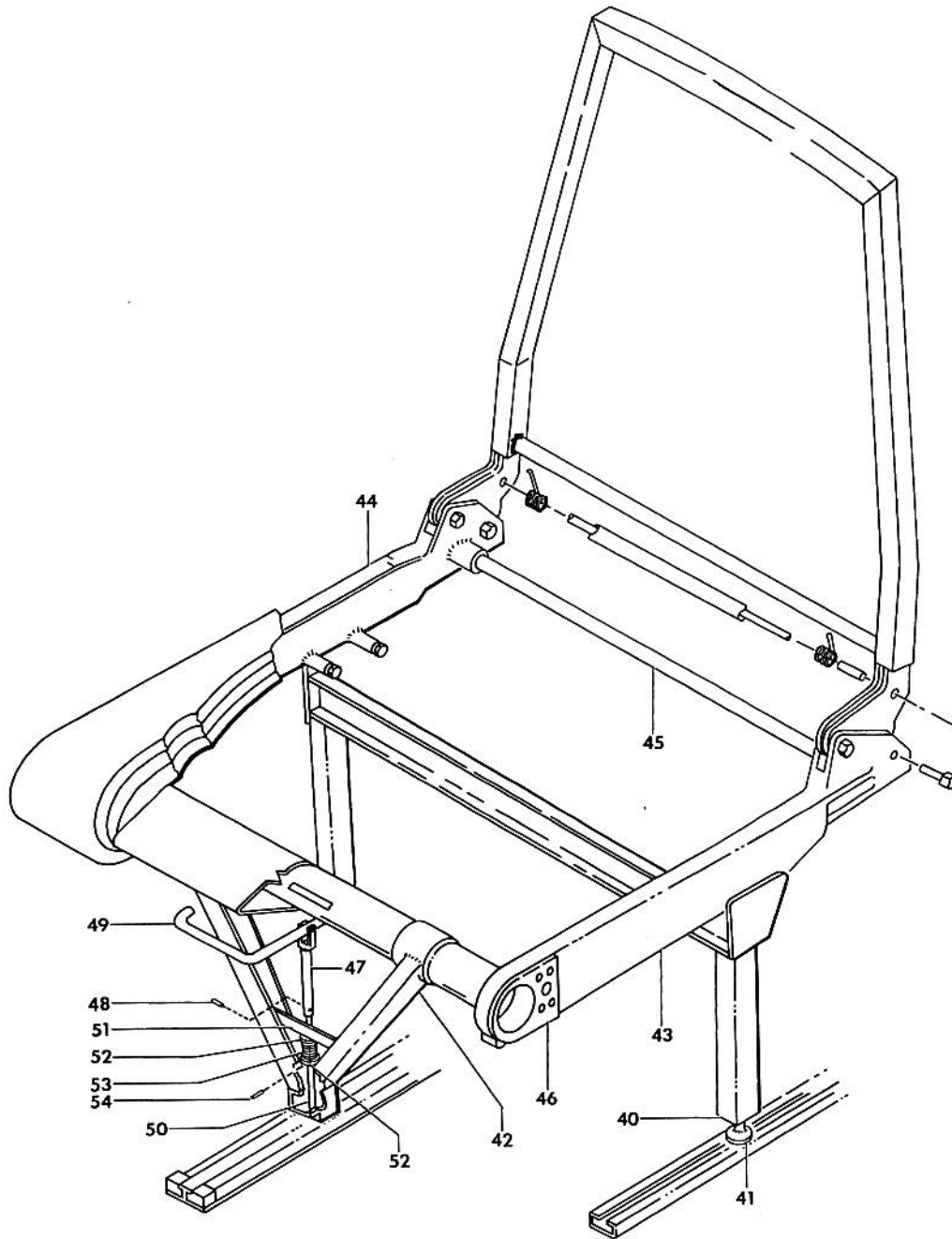
- 30	58-530026-45	1	
- 31	58-530193-1	2	
		/ATTACHING PARTS/								
	MS27039-1-15	2	
	AN960-10L	2	
	MS21042L3	2	

	60-530159-7	NP	3
	60-530159-9	NP	4
	60-530159-8	NP	3
	60-530159-10	NP	4
- 32	58-530045-5	1	4
	58-530045-6	1	4
	60-530047	1	3
		/ATTACHING PARTS/								
	MS171507	1	

	60-530160-1	1	3
- 33	60-530161-1	1	
- 34	60-530043-7	2	
		/ATTACHING PARTS/								
- 35	MS171508	1	

- 36	60-530046-1	1	
- 37	60-530046-2	1	
- 38	MS171499	2	
- 39	60-530013-41	1	

BEECHCRAFT
DUKE B60
ILLUSTRATED PARTS CATALOG

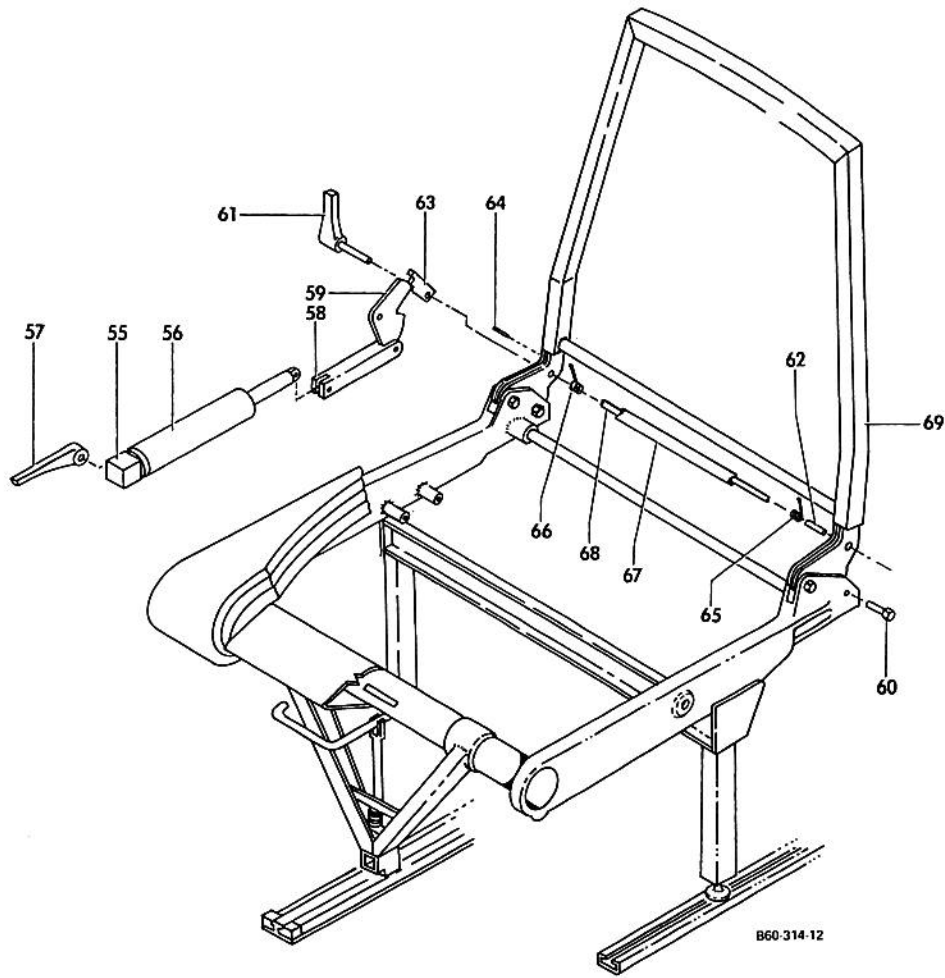


B60-314-11

B E E C H C R A F T
DUKE B60
I L L U S T R A T E D P A R T S C A T A L O G

GAMA/ATA CODE & INDEX NO.	PART NO.	DESCRIPTION							UNITS PER ASSY	USABLE ON CODE
		1	2	3	4	5	6	7		
20-01	102-530072-7	1	13
	102-530072-33	1	12
	102-530072-8	1	13
	102-530072-34	1	12
	60-530016-83	1	2
	60-530247	2	2
		/ATTACHING PARTS/								
	AN3-14A	1	
	MS21042L3	1	
	AN960-10	1	
	102933D4ZJ0280	1	
	100943ZA016J	1	
	60-530016-75	1	2
		/ATTACHING PARTS/								
	AN525-10R24	4	
	AN960-10	4	
	MS21042L3	4	
- 40	60-530016-77	1	2
- 41	100-530448-7	2	2
- 42	60-530016-7	1	2
- 43	60-530039-23	1	2
- 44	60-530039-24	1	2
- 45	60-530016-47	1	2
		/ATTACHING PARTS/								
	MS171535	2	
- 46	60-530016-9	2	2
		/ATTACHING PARTS/								
	AN525-10R7	4	
	AN960-10	4	
	MS21042L3	4	
- 47	60-530016-59	1	2
- 48	MS20392-1C17	2	
	MS24665-132	2	
	AN960-4	2	
- 49	60-530016-25	1	2
		/ATTACHING PARTS/								
	MS20392-1C17	1	
	MS24665-132	1	
	AN960-4	1	
- 50	60-530016-37	1	2
- 51	60-530016-63	1	2
- 52	AN960-416	2	2
- 53	100943ZS027G	1	2
- 54	1/16X1/2 TYPE E	1	2

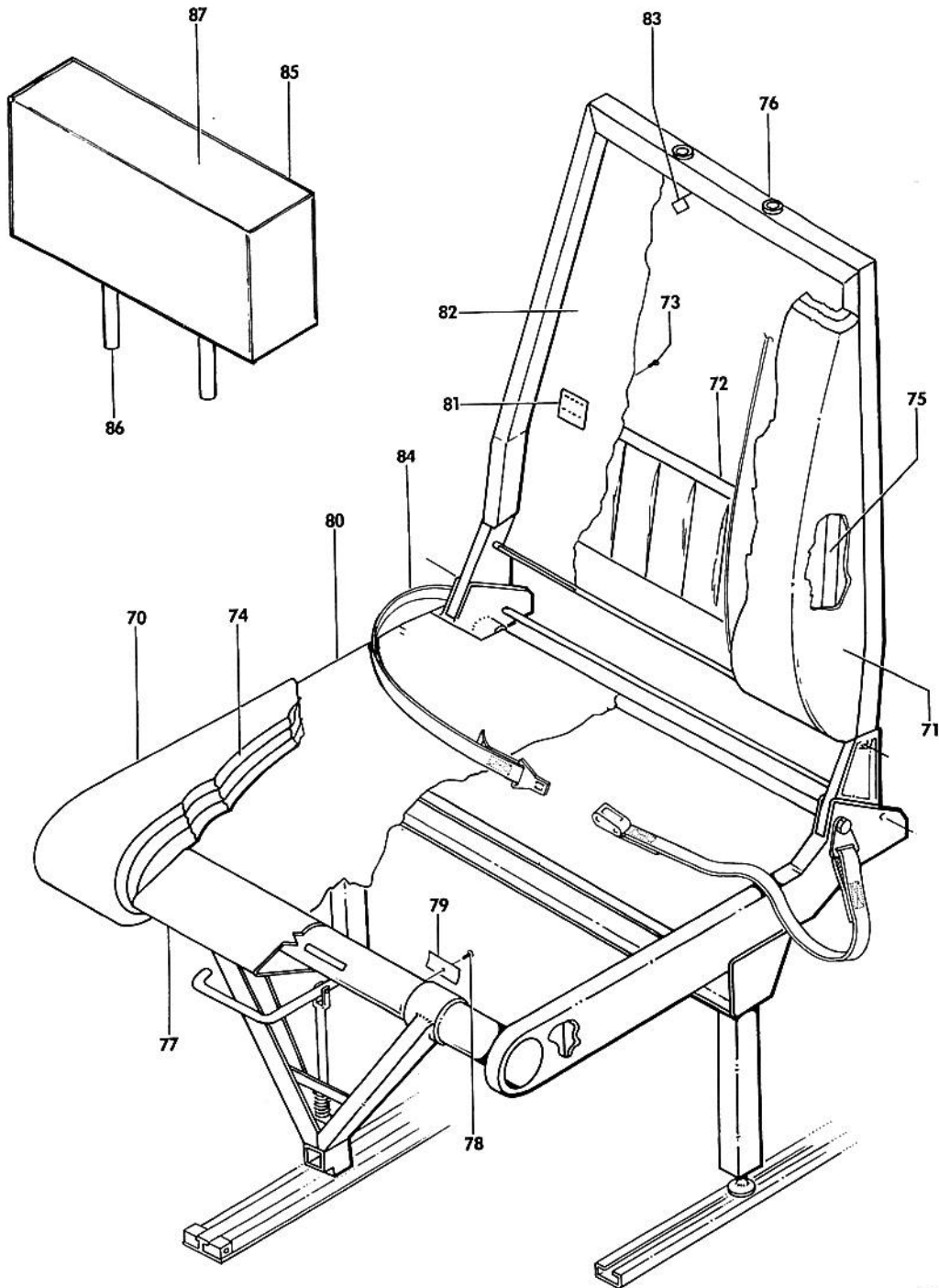
BEECHCRAFT
DUKE B60
ILLUSTRATED PARTS CATALOG



B E E C H C R A F T
DUKE B60
I L L U S T R A T E D P A R T S C A T A L O G

GAMA/ATA CODE & INDEX NO.	PART NO.	1	2	3	4	5	6	7	DESCRIPTION	UNITS PER ASSY	USABLE ON CODE	
20-01 - 55	36-380064-1	ACTUATOR ASSY	1	13	
	106-384001-1	ACTUATOR ASSY	1	12	
									/ATTACHING PARTS/			
	MS27039-1-29	SCREW	4		
	AN960-10L	WASHER	4		
	MS21042L3	NUT	4		
	102-530074-1	GUIDE,ACTUATOR.	1		
	AN960-10L	WASHER	AR		
									-----*			
	- 56	130906TC-BC065	TUBE,ACTUATOR COVER	1	2
	- 57	102-530111-1	HANDLE.	1	2
- 58	102-530080-1	LINK.	1	2	
									/ATTACHING PARTS/			
	130909B36	BOLT.	1		
	AN960D416	WASHER.	1		
	102-530072-19	PIN	1		
									-----*			
- 59	102-530075-7	STOP ASSY	1	2	
									/ATTACHING PARTS/			
	NAS464P4A29	BOLT.	1		
	102-530072-21	SPACER.	1		
	102933D5ZM0290	SPACER.	1		
	102-530086-3	SPRING/LH SEAT/	1		
	102-530086-4	SPRING/RH SEAT/	1		
	100951X040ZZ	WASHER.	2		
	22K2-048	CAP NUT	1		
									-----*			
- 60	102-530098-1	PIN	2	2	
									/ATTACHING PARTS/			
	MS16624-1025	RING,RETAINING.	1		
									-----*			
- 61	58-530045-8	HANDLE ASSY,LH.	1	2	
	58-530045-7	HANDLE ASSY,RH.	1	2	
- 62	60-530161-1	PIN	1	2	
									/ATTACHING PARTS/			
	MS171499	PIN	1		
									-----*			
- 63	102-530081-1	CAM	2	5	
	102-530081-3	CAM	2	6	
									/ATTACHING PARTS/			
	MS171504	PIN,ROLL.	1		
									-----*			
NOTE 102-530081-3 CAM MAY BE USED FOR SPARES FOR 102-530081-1 CAM IF THEY ARE REPLACED IN PAIRS.												
- 64	MS171557	PIN,CAM PIN STOP.	1	2	
- 65	60-530046-3	SPRING,LH	1	2	
- 66	60-530046-4	SPRING,RH	1	2	
- 67	102-530109-1	SHIELD,TORQUE TUBE.	1	2	
- 68	102-530072-15	TUBE,TORQUE	1	2	
- 69	102-530068-13	BACK ASSY	1	2	
	102-530068-3	WELD ASSY	1	2	
	102-530068-15	SUPPORT ASSY,LH	1	2	
	102-530068-16	SUPPORT ASSY,RH	1	2	
									/ATTACHING PARTS/			
	MS27039-1-21	SCREW	2		
AN960D10	WASHER.	2			
MS21083N3	NUT	2			
								-----*				

BEECHCRAFT
DUKE B60
ILLUSTRATED PARTS CATALOG

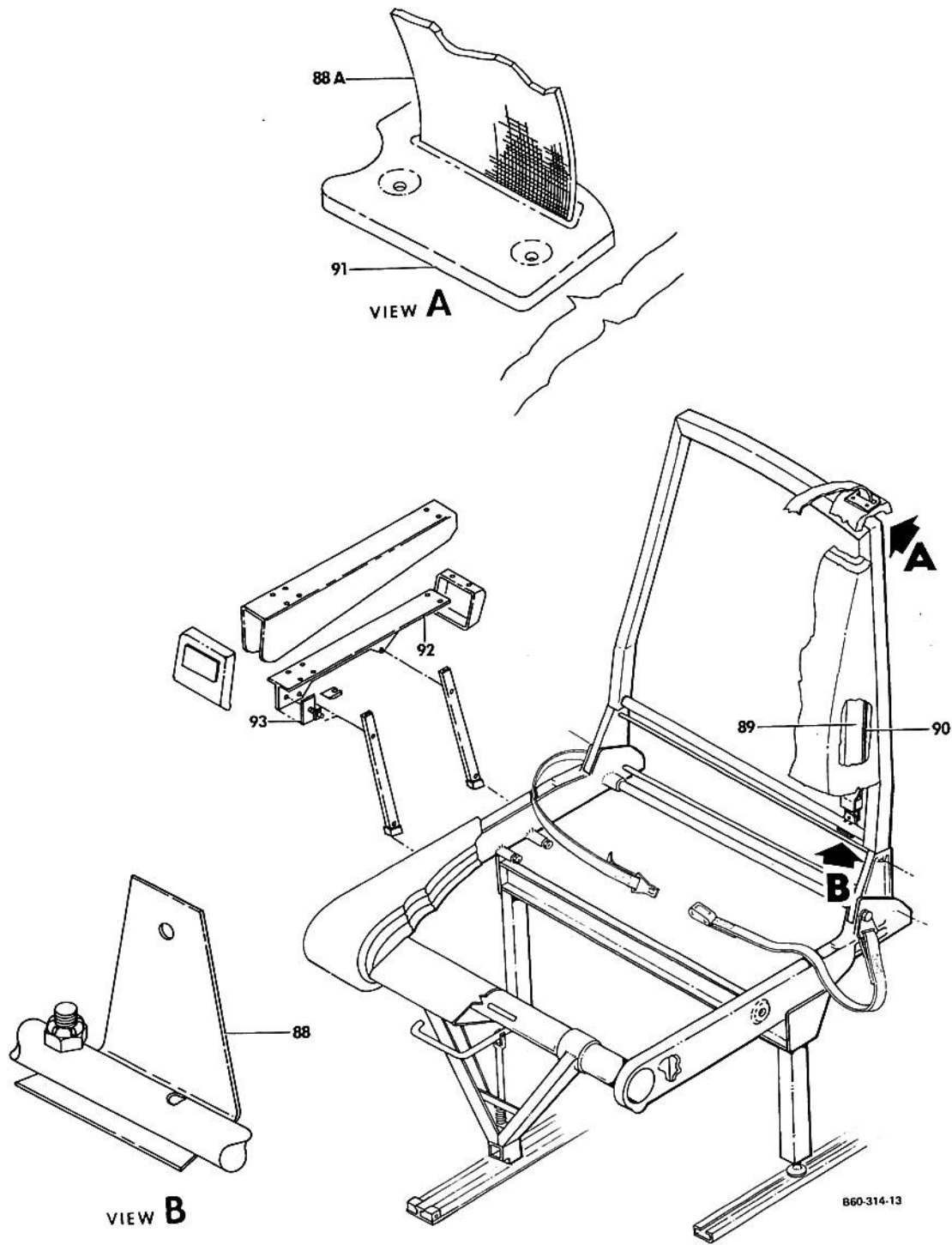


B60-314-B

B E E C H C R A F T
DUKE B60
I L L U S T R A T E D P A R T S C A T A L O G

GAMA/ATA CODE & INDEX NO.	PART NO.	DESCRIPTION							UNITS PER ASSY	USABLE ON CODE
		1	2	3	4	5	6	7		
20-01 - 70	60-530294-9	1	1
	60-530294-33	1	13
	60-530294-59	1	14
	60-530294-79	1	12
	60-530294-60	1	14
	60-530294-81	1	12
	60-530294-9	1	13
- 71	60-530294-11	1	1
	60-530294-31	1	15
	60-530294-55	1	14
	60-530294-75	1	12
	60-530294-32	1	15
	60-530294-56	1	14
	60-530294-76	1	12
	60-530294-11	1	9
	60-530294-61	1	14
	60-530294-73	1	12
- 72	60-530294-23	1	
- 73	NAS384-8-20P	2	
	NAS391-8P	2	
	NAS43003-48	2	
- 74	101-530242-1	1	2
	60-530294-57	1	10
	60-530294-58	1	10
- 75	102-530096-1	1	1
	101-530303-1	1	2
	102-530096-1	1	
- 76	130010-3	2	1
	130010-5	2	1
	131354-1	2	2
	131354-3	2	2
- 77	36-530023-17	1	1
- 78	AN530-6R5	10	
- 79	130569	1	
- 80	60-530294-19	1	
- 81	60-530294-17	1	
- 82	60-530294-21	1	1
	102-530077-23	1	2
	60-530294-21	1	
- 83	60-530297-1	1	1
	MS35206-247	2	
	MS21042L08	2	
- 84	R 331713-1C19-32C	1	11
	101-530604-23	1	12
	101-530604-27	1	12
	R 331713-1C19-32C	1	1
	58-530219-7	1	7
	58-530219-61	1	13
	101-530604-1	1	12
	58-530219-29	1	13
	101-530604-5	1	12
- 85	60-530287-3	1	1
	60-530287-7	1	2
	60-530287-3	1	
	1009432J016G	2	1
	AN960-616L	AR	1
	MS24665-153	2	1
	131345	2	2
- 86	58-530120-27	1	
- 87	60-530287-5	1	
	58-530120-29	2	2

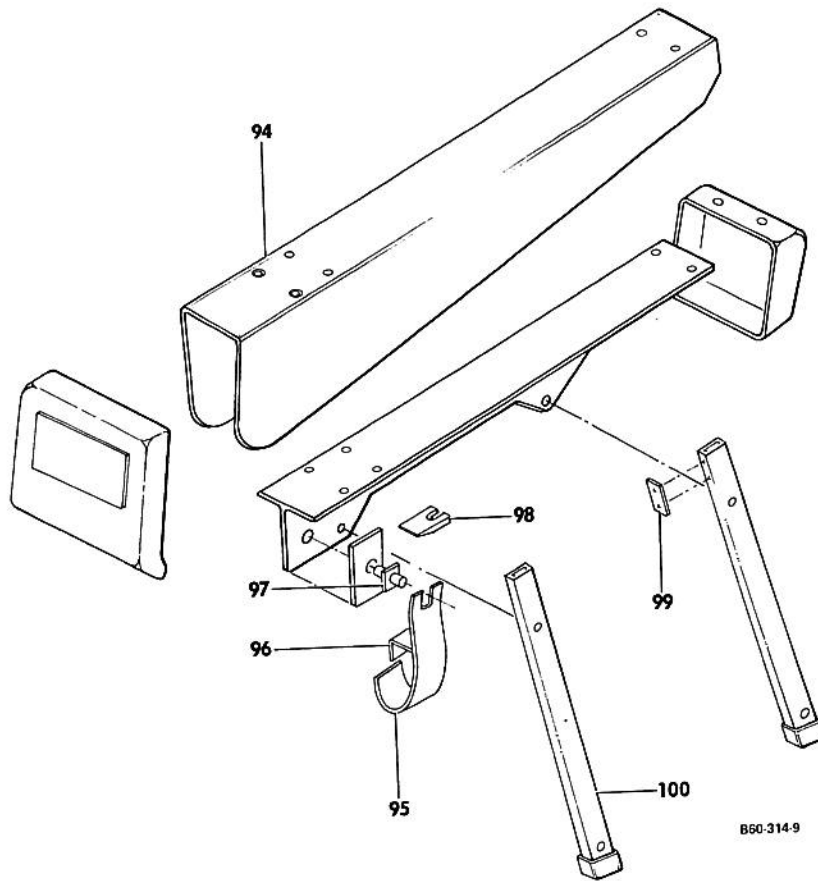
BEECHCRAFT
DUKE B60
ILLUSTRATED PARTS CATALOG



B E E C H C R A F T
DUKE 860
I L L U S T R A T E D P A R T S C A T A L O G

GAMA/ATA CODE & INDEX NO.	PART NO.	DESCRIPTION	UNITS PER ASSY	USABLE ON CODE
		1 2 3 4 5 6 7		
20-01 - 88	102-530069-1	. . BRACKET ASSY, SHOULDER HARNESS /ATTACHING PARTS/	1	2
	MS27039-1-16	. . SCREW	2	
	AN960-10L	. . WASHER	2	
	MS21042L3	. . NUT	2	
- 88A	58-380071-1	. . REEL ASSY, INERTIA/INCLUDES SHOULDER STRAP/. /ATTACHING PARTS/	1	2
	AN5-5A	. . BOLT	1	
	AN960-516	. . WASHER	1	
- 89	101-530305-5	. . GUIDE	1	2
- 90	101-530305-7	. . COVER	1	2
- 91	106-530028-1	. . BRACKET, LH SEAT	1	2
	106-530028-2	. . BRACKET, RH SEAT /ATTACHING PARTS/	1	2
	OHS8SM240-S25GY	. . SCREW	1	
	60-530139-1	. . ARMREST INSTL, STOWABLE/LH AFT FACING & RH . FWD FACING SEAT/	NP	9
	60-530139-149	. . ARMREST INSTL, FIXED/LH AFT FACING & RH FWD . FACING SEAT/	NP	9
	60-530139-2	. . ARMREST INSTL, STOWABLE/RH AFT FACING & LH . FWD FACING SEAT/	NP	9
	60-530139-150	. . ARMREST INSTL, FIXED/RH AFT FACING & LH FWD . FACING SEAT/	NP	9
	60-530356-1	. . ARMREST INSTL, STOWABLE/LH FWD FACING & RH . AFT FACING SEAT/SEE CHAPTER 25-21-01/	NP	10
	60-530356-13	. . ARMREST INSTL, FIXED/LH FWD FACING & RH AFT . FACING SEAT/SEE CHAPTER 25-21-01/	NP	10
	60-530356-2	. . ARMREST INSTL, STOWABLE/RH FWD FACING & LH . AFT FACING SEAT/SEE CHAPTER 25-21-01/	NP	10
	60-530356-14	. . ARMREST INSTL, FIXED/RH FWD FACING & LH AFT . FACING SEAT/SEE CHAPTER 25-21-01/	NP	10
	60-530139-3 ARMREST ASSY, STOWABLE UPHOLSTERED /LH AFT FACING & RH FWD FACING SEAT/	1	9
	60-530139-151 ARMREST ASSY, FIXED UPHOLSTERED /LH AFT FACING & RH FWD FACING SEAT/	1	9
	60-530139-4 ARMREST ASSY, STOWABLE UPHOLSTERED /RH AFT FACING & LH FWD FACING SEAT/	1	9
	60-530139-152 ARMREST ASSY, FIXED UPHOLSTERED /RH AFT FACING & LH FWD FACING SEAT/	1	9
	AN24-15A BOLT/STOWABLE ARMREST/	2	
	AN24-14A BOLT/FIXED ARMREST/	2	
	50-534547-25 WASHER	2	
	105739SYD0560 SPACER/STOWABLE ARMREST/	2	
	105739SYD0500 SPACER/FIXED ARMREST/	2	
	42ND8-048 NUT	2	
	60-530139-5 FRAME, STOWABLE ARMREST /LH AFT FACING & RH FWD FACING SEAT	1	9
	60-530139-153 FRAME, FIXED ARMREST /LH AFT FACING & RH FWD FACING SEAT	1	9
	60-530139-6 FRAME, STOWABLE ARMREST /RH AFT FACING & LH FWD FACING SEAT	1	9
	60-530139-154 FRAME, FIXED ARMREST /RH AFT FACING & LH FWD FACING SEAT	1	9
- 92	60-530139-13 SUPPORT, STOWABLE ARMREST /LH AFT FACING & RH FWD FACING SE	1	9
	60-530139-14 SUPPORT, STOWABLE ARMREST /RH AFT FACING & LH FWD FACING SE	1	9
	60-530139-57 SUPPORT, FIXED ARMREST	1	9
- 93	60-530139-15 DOUBLER/STOWABLE ARMREST/	1	9
	60-530139-25 CLIP	2	9

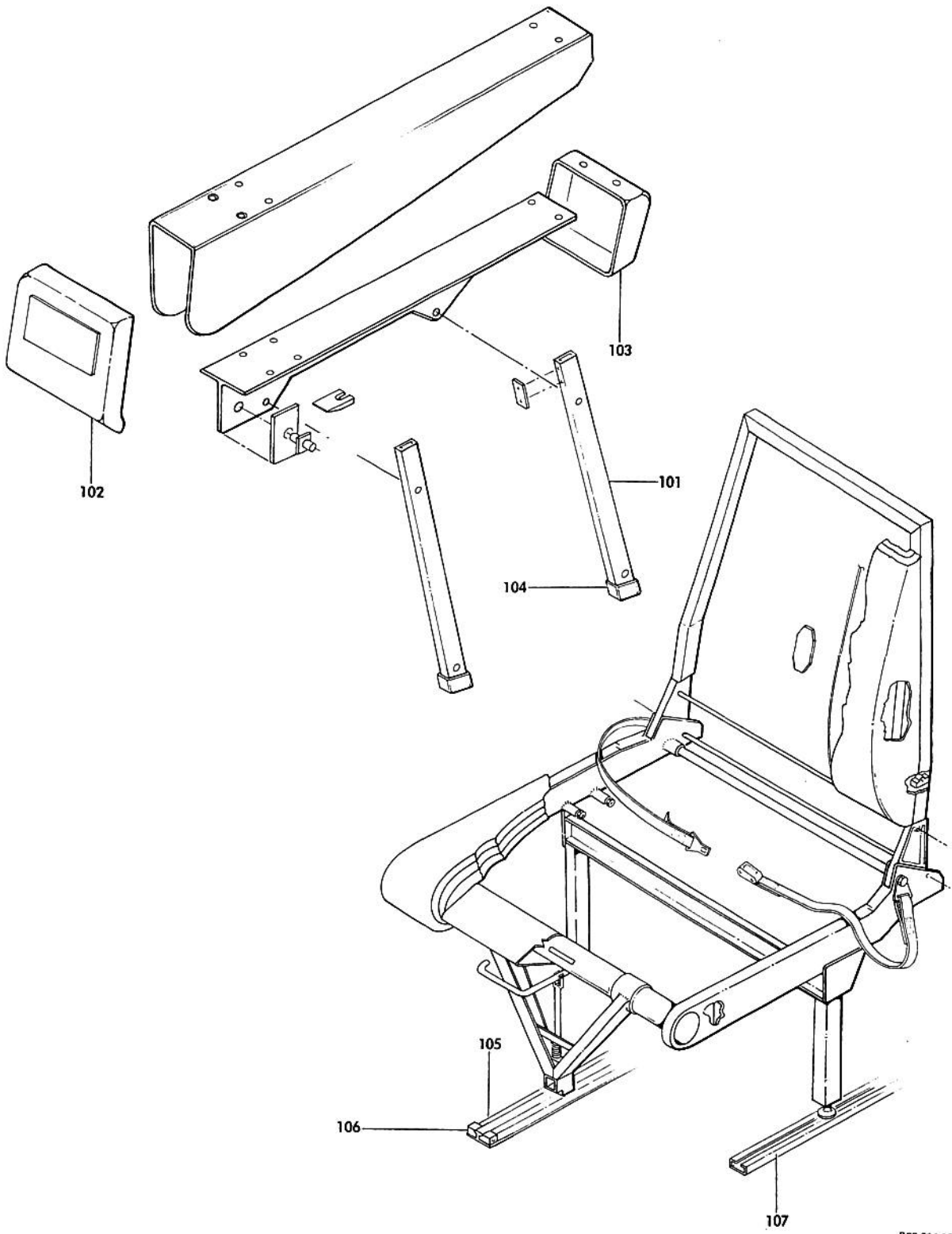
BEECHCRAFT
DUKE B60
ILLUSTRATED PARTS CATALOG



B E E C H C R A F T
DUKE B60
I L L U S T R A T E D P A R T S C A T A L O G

GAMA/ATA CODE & INDEX NO.	PART NO.	1	2	3	4	5	6	7	DESCRIPTION	UNITS PER ASSY	USABLE ON CODE
20-01	60-530139-9	PAN ASSY,LH ARMREST	1	9
	60-530139-10	PAN ASSY,RH ARMREST	1	9
									/ATTACHING PARTS/		
	AN515-8R4	SCREW	2	
	AN935-8L	WASHER	2	
	AN960PD8	WASHER	2	
	MS21047-08	NUTPLATE	2	
		-----*									
- 94	60-530139-27	PAN	1	9
	60-530139-33	CLIP	2	9
	60-530139-11	RELEASE ASSY,STOWABLE ARMREST	1	9
									/ATTACHING PARTS/		
	AN509-8R7	SCREW	1	
	AN960-8	WASHER	1	
	MS21042L08	NUT	1	
		-----*									
- 95	60-530139-29	HANDLE	1	9
- 96	60-530129-31	SPRING	1	9
- 97	50-534547-29	BOLT,LH STOWABLE ARMREST LATCH.	1	9
	50-534547-30	BOLT,RH STOWABLE ARMREST LATCH.	1	9
									/ATTACHING PARTS/		
	MS171499	PIN	1	
	NAS77A6-35	BUSHING	1	
		-----*									
- 98	60-530139-37	STOP,STOWABLE ARMREST	1	9
									/ATTACHING PARTS/		
	AN509-8R12	SCREW	1	
	AN960-8	WASHER	1	
	MS21042L08	NUT	1	
		-----*									
- 99	1343	BUMPER,STOWABLE ARMREST	1	9
									/ATTACHING PARTS/		
	MS35206-236	SCREW	1	
	100951DD016ZC	WASHER	1	
	MS21042-06	NUT	1	
		-----*									
-100	60-530139-17	ARM,STOWABLE ARMREST FWD.	1	9
	60-530139-63	ARM,FIXED ARMREST FWD	1	9
									/ATTACHING PARTS/		
	130909B20	BOLT	1	
	AN960-10L	WASHER	1	
	60-530139-23	WASHER/STOWABLE ONLY/	1	
	MS21042L3	NUT	1	
		-----*									

BEECHCRAFT
DUKE B60
ILLUSTRATED PARTS CATALOG



860-314-10

B E E C H C R A F T
DUKE 860
I L L U S T R A T E D P A R T S C A T A L O G

GAMA/ATA CODE & INDEX NO.	PART NO.	1 2 3 4 5 6 7	DESCRIPTION	UNITS PER ASSY	USABLE ON CODE
20-01 -101	60-530139-19	ARM, ARMREST AFT /ATTACHING PARTS/	2	9
	I30909B20	BOLT.	2	
	AN960-10L	WASHER.	2	
	60-530139-23	WASHER/STOWABLE ONLY/	2	
	MS21042L3	NUT	2	

-102	60-530139-39	COVER, ARMREST/UPHOLSTERY/	1	9
	50-534527-5	CAP, ARMREST FWD /ATTACHING PARTS/	1	9
	PK89XA6-6	SCREW	2	

-103	60-530139-35	CAP, ARMREST AFT /ATTACHING PARTS/	1	9
	NAS384-6P	SCREW	2	
	NAS390-6P	WASHER.	2	

-104	50-534536	PLATE, ARMREST IDENTIFICATION.	1	9
-105	99-530073-15	COVER, LOWER ARM END	1	9
-105	60-530289-7	TRACK, LH CENTER/STD/.	1	
	60-530289-11	TRACK, LH CENTER/CLUB/	1	
	60-530289-9	TRACK, RH CENTER/STD & CLUB/	1	
-106	002-430013-31	STOP, SEAT TRACK /ATTACHING PARTS/	4	
	MS27039-1-20	SCREW	1	
	MS21042L3	NUT	1	

-107	60-530284-1	SEAT TRACK. /ATTACHING PARTS/	4	
	MS24694S52	SCREW	3	

	58-530231-1	STOP, SEAT TRACK /ATTACHING PARTS/	2	
	LA3S-R1.030	PIN, QUICK RELEASE	1	

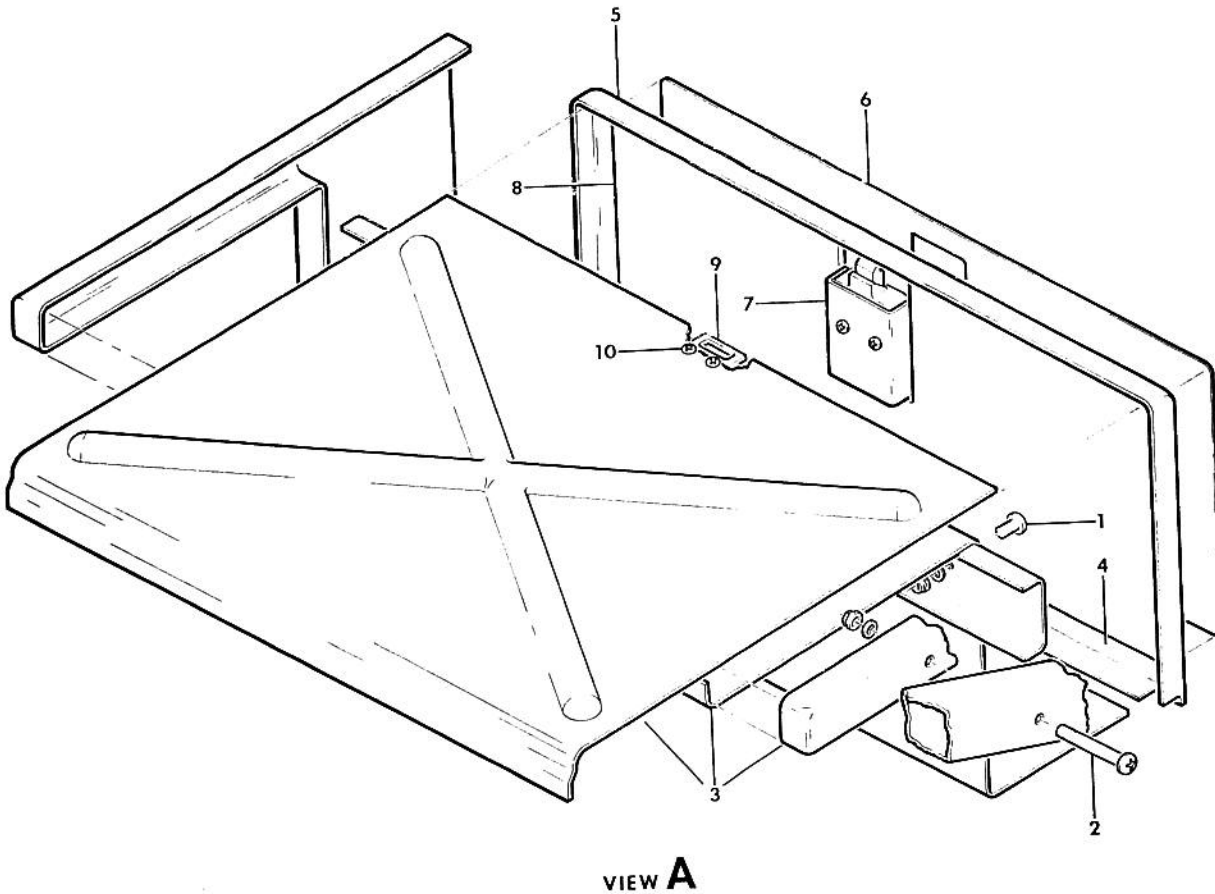
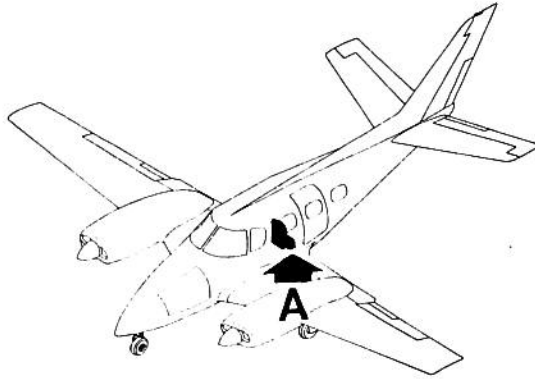
C O D E S O F E F F E C T I V I T Y

- | | | | |
|----|--|----|--------------------------------------|
| 1 | P-247 THRU P-388
EXCEPT P-387 | 2 | P-387 AND AFTER
EXCEPT P-388 |
| 3 | P-247 THRU P-409 | 4 | P-410 AND AFTER |
| 5 | P-247 THRU P-435 | 6 | P-436 AND AFTER |
| 7 | P-387 THRU P-396
EXCEPT P-388 | 8 | DELETED |
| 9 | P-247 THRU P-445 | 10 | P-446 AND AFTER |
| 11 | P-247 THRU P-510
P-512 THRU P-519 | 12 | P-511,
P-520 AND AFTER |
| 13 | P-387,
P-389 THRU P-510
P-512 THRU P-519 | 14 | P-446 THRU P-510
P-512 THRU P-519 |
| 15 | P-387,
P-389 THRU P-445 | | |

BEECHCRAFT
DUKE B60
ILLUSTRATED PARTS CATALOG

25-20-02
STOWAGE CONTAINER INSTALLATION
/3RD AND 4TH SEAT-CLUB ARRANGEMENT/
P-483,P-486 AND AFTER

BEECHCRAFT
DUKE B60
ILLUSTRATED PARTS CATALOG



B60-314-18

B E E C H C R A F T
DUKE 860
I L L U S T R A T E D P A R T S C A T A L O G

GAMA/ATA CODE & INDEX NO.	PART NO.	DESCRIPTION	UNITS PER ASSY							USABLE ON CODE
			1	2	3	4	5	6	7	
20-02	60-530371-1	CONTAINER INSTL,STOWAGE/3RD & 4TH SEAT-CLUB/	NP	1
	60-530371-15	. CONTAINER ASSY,STOWAGE/OXYGEN MASK/	2	4
	60-530371-29	. CONTAINER ASSY,STOWAGE/OXYGEN MASK/ /ATTACHING PARTS/	2	5
- 1	MS27039-1-05	. SCREW	3	
- 2	MS27039-1-24	. SCREW	2	
	AN960-10L	. WASHER	5	
	MS21042L3	. NUT	5	
- 3	60-530371-3	. CONTAINER ASSY.	2	1
	60-530371-23	. DOOR ASSY	2	3
	60-530371-31	. DOOR ASSY	2	5
	60-530371-11	. DOOR ASSY	2	2
- 4	60-530371-17	. HINGE,HALF.	1	1
	60-530371-19	. HINGE,HALF.	1	1
	MS20253-P2-1300	. PIN,HINGE	1	1
- 5	60-530371-25	. DOOR,STOWAGE CONTAINER.	1	3
	60-530371-33	. DOOR,STOWAGE CONTAINER.	1	5
	60-530371-13	. DOOR,STOWAGE CONTAINER.	1	2
- 6	R 60-530371-37	. INSERT,SIMULATED WOOD GRAIN	1	1
- 7	H2622-1-090	. LATCH,DOOR.	1	1
- 8	60-530371-21	. DOUBLER	1	4
- 9	58-530201-15	. STRIKER	1	1
		/ATTACHING PARTS/		
- 10	MS35214-25	. SCREW	2	
	AN960-6L	. WASHER	2	
	MS21042L06	. NUT	2	

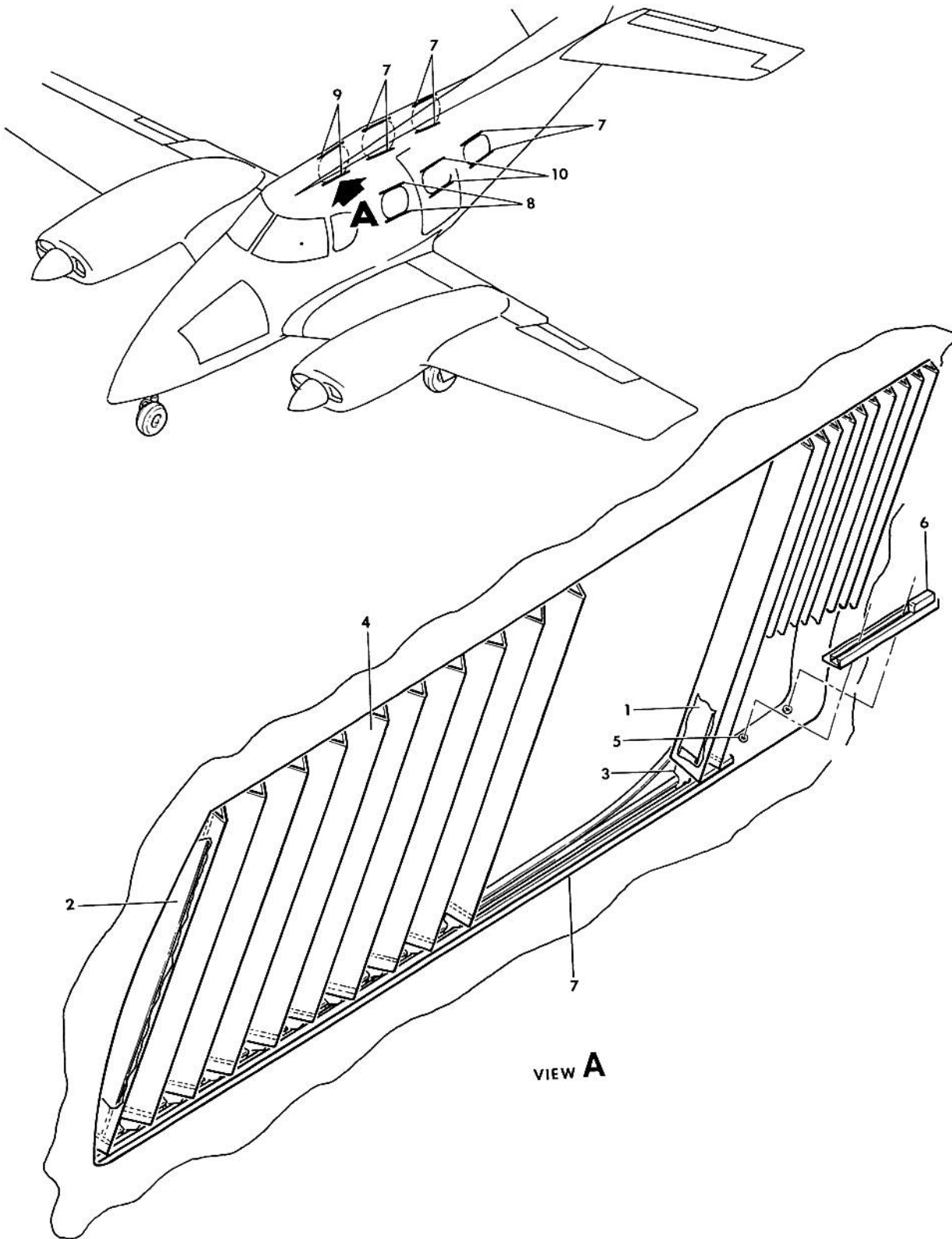
C O D E S O F E F F E C T I V I T Y

1	P-483, P-486 AND AFTER	2	P-483, P-486 THRU P-510 P-512 THRU P-519
3	P-511, P-520 THRU P-529	4	P-483, P-486 THRU P-529
5	P-530 AND AFTER		

BEECHCRAFT
DUKE B60
ILLUSTRATED PARTS CATALOG

25-20-10
CABIN WINDOW CURTAIN

BEECHCRAFT
DUKE B60
ILLUSTRATED PARTS CATALOG



B60-315-2

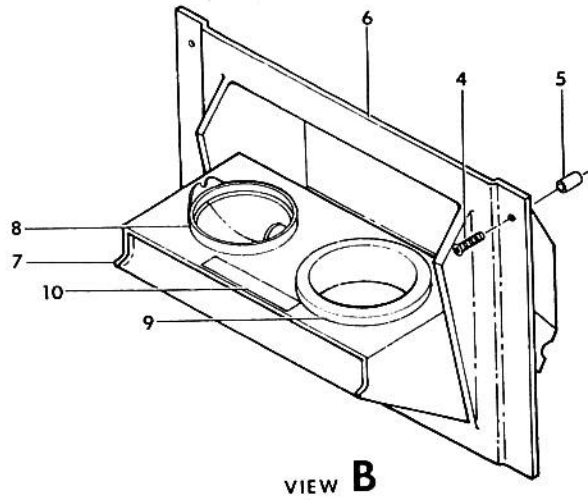
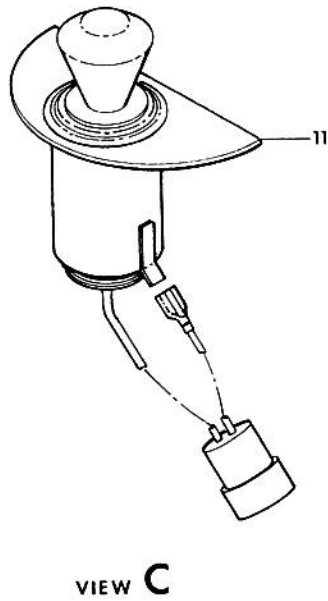
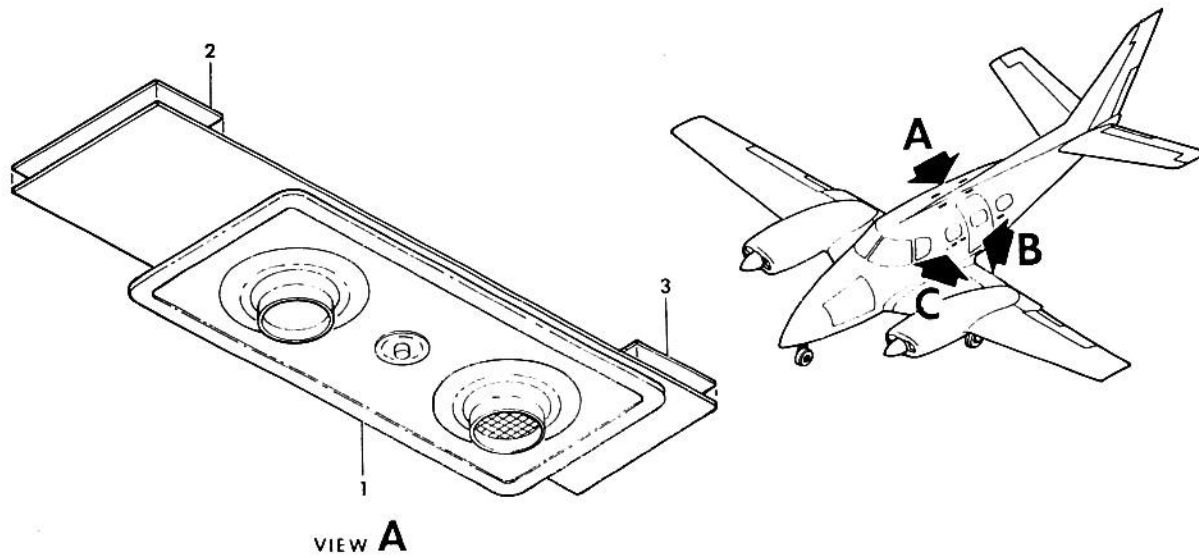
B E E C H C R A F T
DUKE B60
I L L U S T R A T E D P A R T S C A T A L O G

GAMA/ATA CODE & INDEX NO.	PART NO.	DESCRIPTION							UNITS PER ASSY	USABLE ON CODE	
		1	2	3	4	5	6	7			
20-10	60-530070-1	CURTAIN INSTL,CABIN WINDOW.	NP	
	60-530070-3	. CURTAIN ASSY/SPECIFY MATERIAL & COLOR/.	12	
- 1	60-530070-7	. . STIFFENER	1	
- 2	60-530070-9	. . ELASTIC	1	
- 3	S3575	. . CARRIERS,NYLON.	32	
- 4	60-530070-11	. . CURTAIN	1	
- 5	AN960-3	. . WASHER.	84	
- 6	S3032	. SPRING,STOP	22	
- 7	60-530070-19	. TRACK,CURTAIN	6	
- 8	60-530070-23	. TRACK,CURTAIN	2	
- 9	60-530070-25	. TRACK,CURTAIN	2	
- 10	60-530070-27	. TRACK,CURTAIN	2	

BEECHCRAFT
DUKE B60
ILLUSTRATED PARTS CATALOG

25-20-20
MISCELLANEOUS CABIN FURNISHINGS

BEECHCRAFT
DUKE B60
ILLUSTRATED PARTS CATALOG



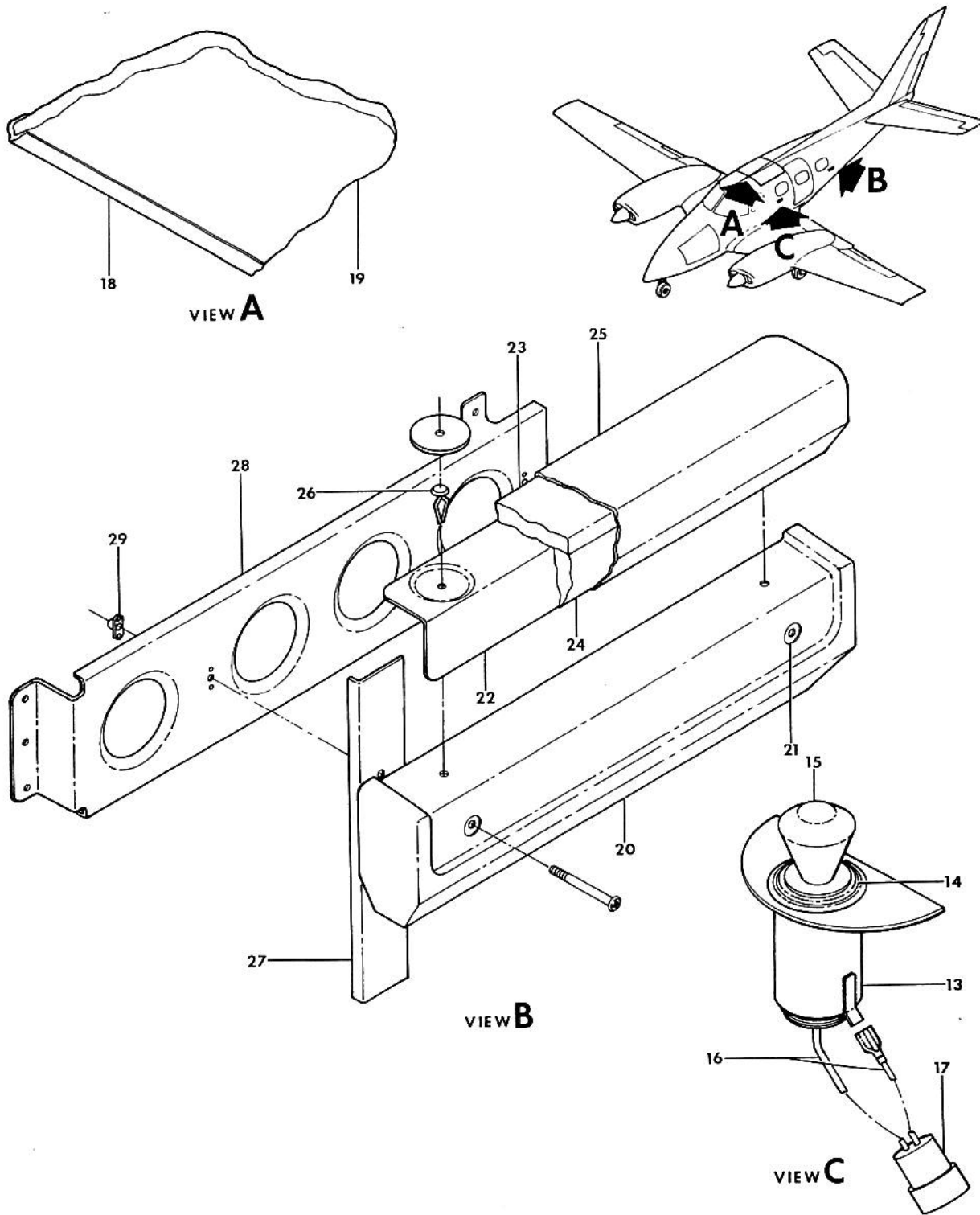
B60-324-8

FIGURE 20-20. MISCELLANEOUS CABIN FURNISHINGS
/SHEET 1 OF 2 SHEETS/

B E E C H C R A F T
DUKE 860
I L L U S T R A T E D P A R T S C A T A L O G

GAMA/ATA CODE & INDEX NO.	PART NO.	DESCRIPTION	UNITS PER ASSY	USABLE ON CODE
		1 2 3 4 5 6 7		
20-20	60-530181-47	AIR AND LIGHT INSTL,5TH AND 6TH SEATS/OPTIONAL/	NP	
- 1	60-530183-1	. FACE PLATE.	2	
- 2	60-530181-29	. SUPPORT	1	
- 3	60-530181-31	. SUPPORT	1	
NOTE FOR ILLUSTRATED PARTS BREAKDOWN OF AIR DUCTS,REFER TO CHAPTER 21-20-30.FOR ILLUSTRATED PARTS BREAKDOWN OF CABIN LIGHTS,REFER TO CHAPTER 33-20-01.				
	60-530275-1	ASH RECEIVER AND CUP HOLDER INSTL	NP	1
R	SJ3537	. LOOP.	1	
R	SJ3542	. HOOK.	1	
	60-530276-1	. ASH RECEIVER AND CUP HOLDER ASSY.	1	1
		/ATTACHING PARTS/		
	AN545-8R8	. SCREW	2	
	185678-1	. CLIP.	2	
	60-530276-3	. BOX	1	1
	100-530481-1	. DECAL	1	1
	60-530362-1	ASH RECEIVER AND CUP HOLDER INSTL/STD FWD/.	NP	10
	60-530362-3	ASH RECEIVER AND CUP HOLDER INSTL/5 OR 6 FWD/	NP	10
	60-530362-5	ASH RECEIVER AND CUP HOLDER INSTL/CLUB/	NP	10
	60-530362-7	ASH RECEIVER AND CUP HOLDER INSTL/STD/.	NP	11
	60-530362-11	ASH RECEIVER AND CUP HOLDER INSTL/CLUB/	NP	11
	60-530362-9	. ASH TRAY ASSY/BONDED/	1	12
	60-530362-19	. ASH TRAY ASSY	1	13
	60-530362-13	. ASH TRAY ASSY/BONDED/	1	12
	60-530362-21	. ASH TRAY ASSY	1	13
	3211-005	. ASH TRAY-CUP HOLDER ASSY,RH FOR FWD FACING.	1	2
		SEATS,LH FOR AFT FACING SEATS		
	3211-006	. ASH TRAY-CUP HOLDER ASSY,LH FOR FWD FACING.	1	2
		SEATS,RH FOR AFT FACING SEATS		
		/ATTACHING PARTS/		
- 4	MS24693S29	. SCREW	4	
- 5	NAS43DD3-29	. SPACER.	4	
	NAS1329S06K75	. RIVNUT.	4	
- 6	3211-003	. . HOUSING	1	2
- 7	3211-004	. . HOLDER.	1	2
- 8	2020-1	. . ASH RECEIVER.	1	2
- 9	2120-1	. . DRINK HOLDER.	1	2
- 10	100-530481-1	. . DECAL	1	2
	60-530100-7	CIGARETTE LIGHTER INSTL	NP	3
- 11	60-530100-11	. PLATE	1	3
	60-530100-9	. BRACKET	1	4
		/ATTACHING PARTS/		
	MS27039-0809	. SCREW	2	4
	AN960-8	. WASHER.	2	4
	MS21047L08	. NUTPLATE.	2	4
	LPA-27630	. HEATER AND KNOB ASSY.	1	4
	206482	. HEATER AND KNOB ASSY.	1	5
	LU-27054	. SHELL	1	4
	LU-27049	. SHELL	1	5
	LBA-27492	. SWITCH BASE ASSY.	1	4
	206480	. SWITCH BASE ASSY.	1	5
	LWA-2919	. CORD ASSY	1	4
	LWA-29455	. CORD ASSY	1	5
	1-480318-0	. SOCKET HOUSING.	1	6
	60617-1	. SOCKET	2	6
- 12 R		. DELETED		

BEECHCRAFT
DUKE B60
ILLUSTRATED PARTS CATALOG



860-324-9

FIGURE 20-20. MISCELLANEOUS CABIN FURNISHINGS
/SHEET 2 OF 2 SHEETS/

B E E C H C R A F T
DUKE B60
I L L U S T R A T E D P A R T S C A T A L O G

SUB-SECT UNIT & ITEM NO.	PART NO.	DESCRIPTION	UNITS PER ASSY	USABLE ON CODE
		1 2 3 4 5 6 7		
20-20	R 35-364160-5	. LIGHTER ASSY,CIGARETTE.	1	7
- 13	R 206352	. CLAMPING SHELL.	1	7
- 14	R 207890	. SWITCH BASE ASSY.	1	7
- 15	R 207946	. POP-OUT UNIT.	1	7
- 16	R LWA29455	. CORD ASSY	1	7
- 17	R 1-480319-0	. HOUSING	1	7
		/ATTACHING PARTS/		
	R 60618-1	. PIN	1	
	R 60620-1	. PIN	1	
		*		
	60-530189	HEADLINER INSTL,STANDARD.	NP	
	60-530189-1	HEADLINER INSTL,CLUB SEATING.	NP	
	60-530189-59	. HEADLINER ASSY,CABIN-STANDARD	1	
	60-530189-11	. HEADLINER ASSY,CABIN-CLUB	1	
	60-530189-5	. RETAINER.	32	
- 18	R 60-530189-69	. TRIM/ABOVE CABIN DOOR/.	1	
- 19	60-530189-77	. HEADLINER,CABIN-STANDARD.	1	
	60-530189-75	. HEADLINER,CABIN-CLUB.	1	
	60-530273-1	ARMREST INSTL,5TH AND 6TH SEATS/LH & RH/.	NP	8
	60-530319-1	ARMREST INSTL,LH/5TH AND 6TH SEATS/	NP	9
	R 60-530359-1	ARMREST INSTL,LH/5TH AND 6TH SEATS/	NP	5
	60-530319-2	ARMREST INSTL,RH/5TH AND 6TH SEATS/.	NP	9
	R 60-530359-2	ARMREST INSTL,RH/5TH AND 6TH SEATS/	NP	5
	36-530093-1	. ARMREST ASSEMBLY.	1	14
	R 60-530359-5	. ARMREST ASSEMBLY.	1	5
	R 60-530359-6	. ARMREST ASSEMBLY.	1	5
- 20	R 36-530093-3	. ARMREST	1	14
- 21	R 36-530093-5	. BRACKET	1	14
	R 36-530094-1	. PAD ASSEMBLY.	1	14
- 22	R 36-530094-3	. BRACKET	1	14
- 23	R 36-530094-5	. PAD	1	14
- 24	R 36-530094-9	. PAD	1	14
- 25	R 36-530094-7	. COVER	1	14
- 26	R 808	. FASTENER.	2	14
	R 100951-DD-016-ZP	. WASHER.	2	14
	MS27039-1-32	. SCREW	2	
- 27	60-530273-5	. REINFORCEMENT	2	8
	NAS1329A-3K-75	. RIVNUT.	2	8
	60-530273-7	. CLIP.	2	8
	60-530273-9	. CLIP.	2	8
	NAS1330A-08-241	. RIVNUT.	2	9
	60-530320-1	. SUPPORT ASSEMBLY,LH	NP	9
	60-530320-3	. SUPPORT ASSEMBLY,RH	NP	9
- 28	60-530320-5	. SUPPORT,LH.	1	9
	60-530320-7	. SUPPORT,RH.	1	9
- 29	MS21059-L3K	. NUTPLATE.	2	9

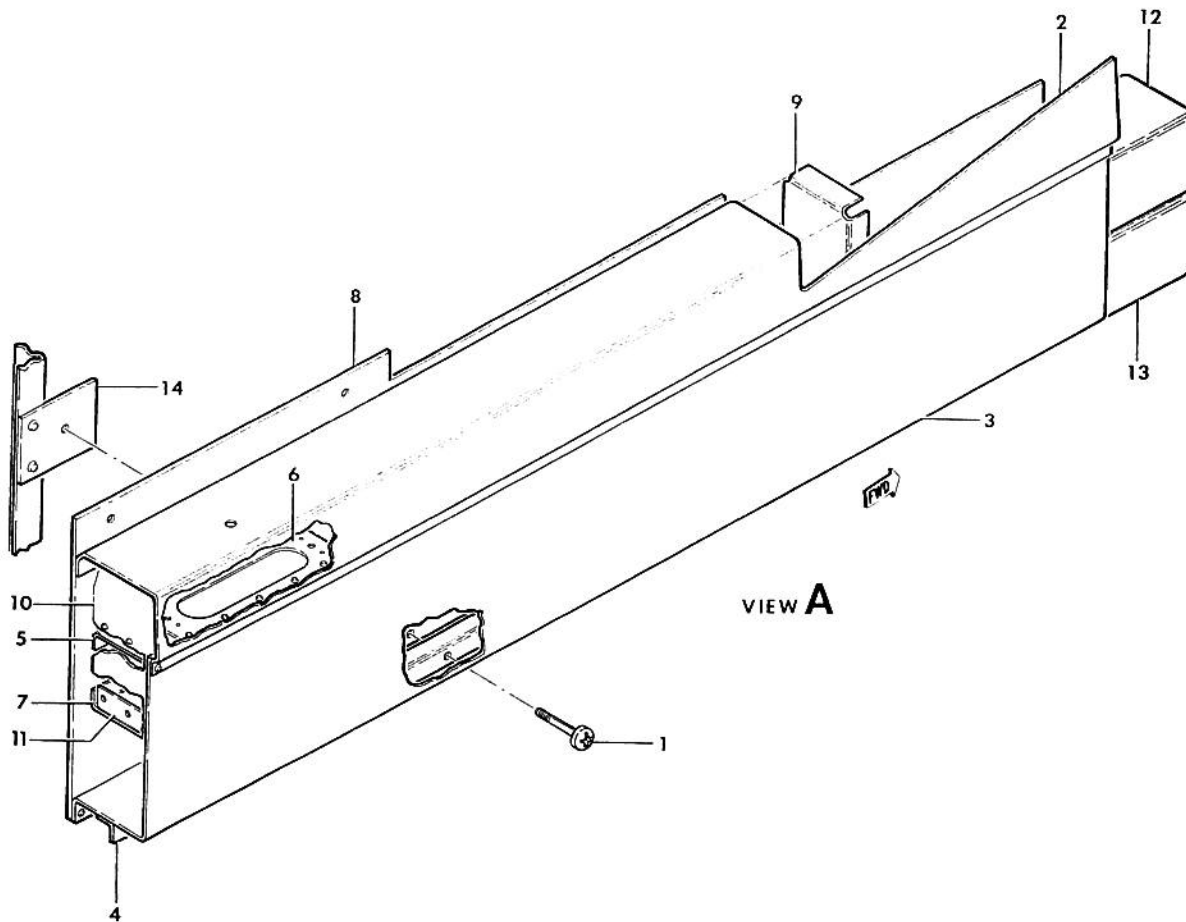
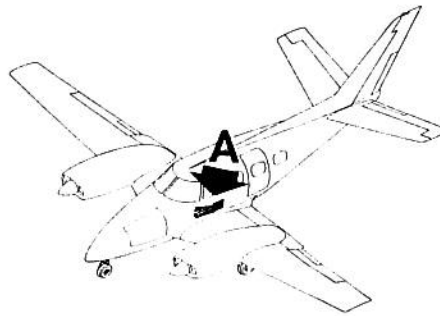
CODES OF EFFECTIVITY

1	P-247 THRU P-386	2	P-387 AND AFTER
3	P-285 AND AFTER	4	P-285 THRU P-445
5	P-446 AND AFTER	6	P-285 THRU P-455
7	P-456 AND AFTER	8	P-247 THRU P-299
9	P-300 THRU P-445	10	P-387 THRU P-510
			P-512 THRU P-519
11	P-511,	12	P-511,P-520
	P-520 AND AFTER		THRU P-551
13	P-552 AND AFTER	14	P-247 THRU P-445

BEECHCRAFT
DUKE B60
ILLUSTRATED PARTS CATALOG

25-20-24
SIDE CONSOLE INSTALLATION

BEECHCRAFT
DUKE B60
ILLUSTRATED PARTS CATALOG



B60-311-24

B E E C H C R A F T
DUKE B60
I L L U S T R A T E D P A R T S C A T A L O G

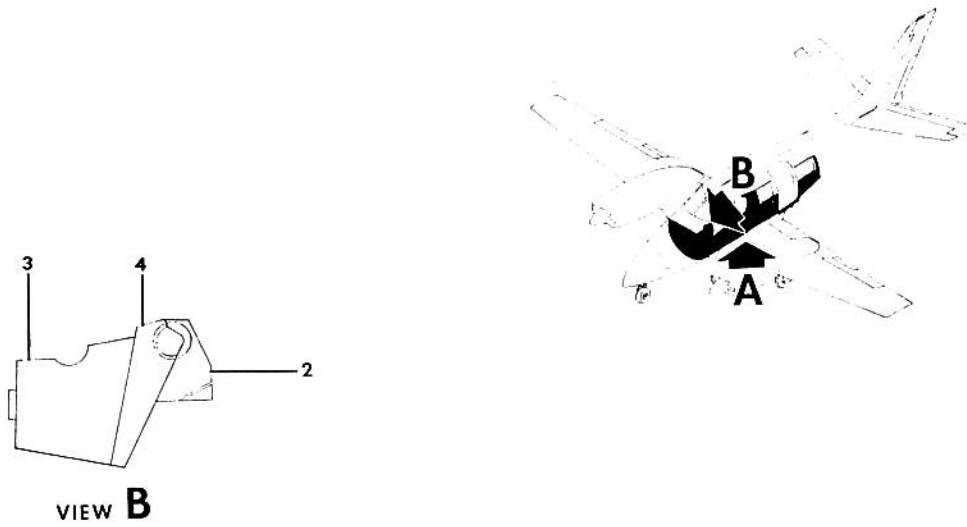
GAMA/ATA CODE & INDEX NO.	PART NO.	DESCRIPTION	UNITS PER ASSY	USABLE ON CODE
		1 2 3 4 5 6 7		
20-24	60-530280-1	CONSOLE INSTL, SIDE/FWD SECTION/	NP	
	60-530280-3	. CONSOLE ASSY, LH/FS127.50 TO FS158.50/	1	
	60-530280-4	. CONSOLE ASSY, RH/FS127.50 TO FS158.50/	1	
		/ATTACHING PARTS/		
- 1	MS27039-0813 B832	. SCREW	8	
		. WELLNUT	8	
		*		
- 2	60-530280-13	. . CAP, PROTECTOR/LH/	1	
	60-530280-14	. . CAP, PROTECTOR/RH/	1	
	60-530280-5	. . ASSY, PANEL/LH/	1	
	60-530280-6	. . ASSY, PANEL/RH/	1	
- 3	60-530280-23	. . . PANEL/LH/	1	
	60-530280-24	. . . PANEL/RH/	1	
- 4	60-530280-15	. . . ANGLE/LH/	1	
	60-530280-16	. . . ANGLE/RH/	1	
	60-530280-9	. . . ASSY, CHANNEL/LH & RH/	1	
- 5	60-530280-11	. . . CHANNEL	1	
- 6	60-530028-15	. . . DOUBLER	1	
	130006A1032	. . . NUTPLATE	2	
- 7	60-530280-7	. . . CHANNEL/LH & RH/	1	
- 8	60-530280-17	. . . PLATE, BACK/LH & RH/	1	
- 9	60-530028-19	. . . RIB/LH/	2	
	60-530028-20	. . . RIB/RH/	2	
- 10	60-530280-21	. . . COVER/LH/	1	
	60-530280-22	. . . COVER/RH/	1	
- 11	60-530280-19	. . . ANGLE/LH & RH/	3	
- 12	60-550064-1	. . . DUCT, UPPER/LH/	1	
	60-550064-2	. . . DUCT, UPPER/RH/	1	
- 13	60-550065-1	. . . DUCT, LOWER/LH/	1	
	60-550065-2	. . . DUCT, LOWER/RH/	1	
- 14	60-530255-1	. . . PLATE	6	

END

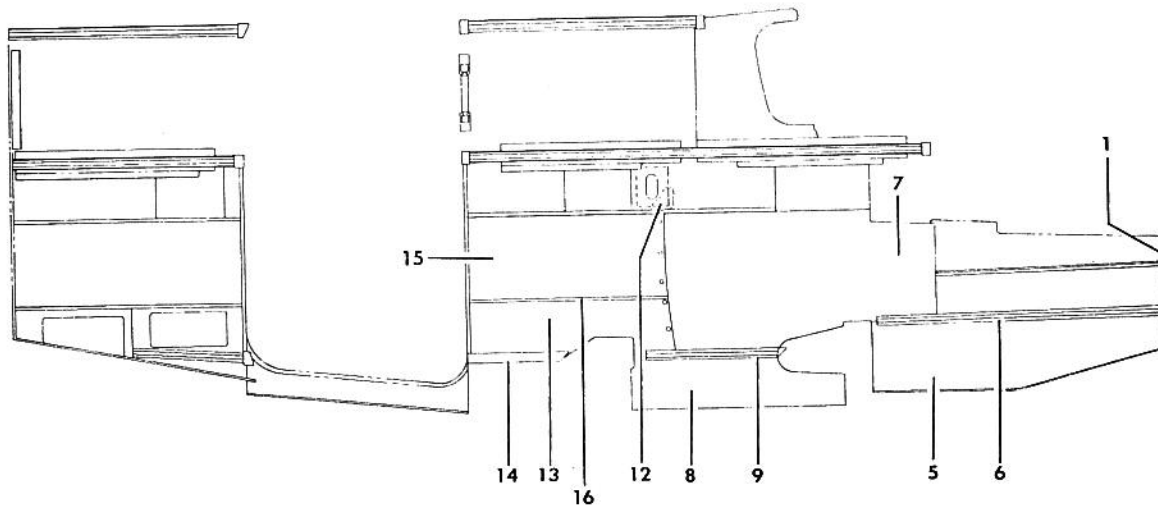
BEECHCRAFT
DUKE B60
ILLUSTRATED PARTS CATALOG

25-20-25
CABIN UPHOLSTERY

BEECHCRAFT
DUKE B60
ILLUSTRATED PARTS CATALOG



VIEW B



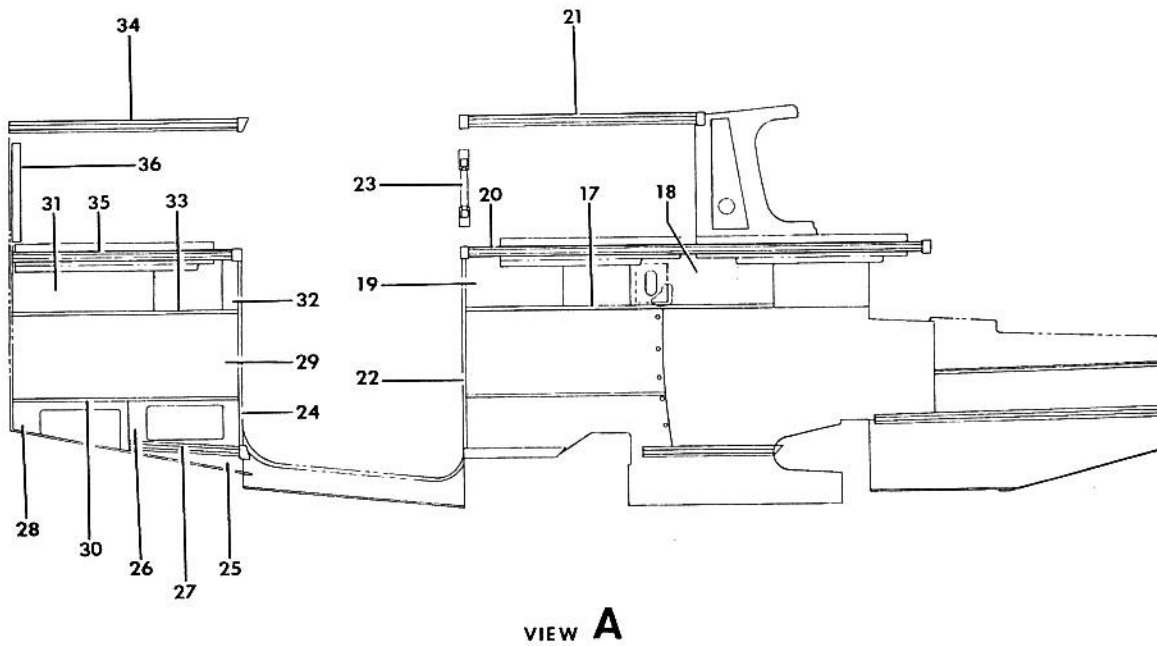
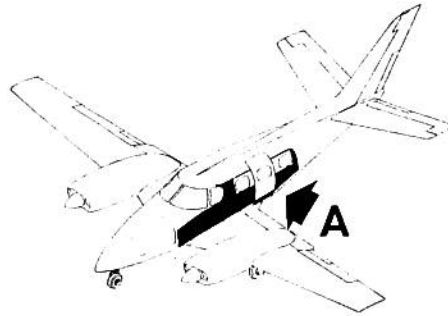
VIEW A

B60-311-7

B E E C H C R A F T
DUKE B60
I L L U S T R A T E D P A R T S C A T A L O G

GAMA/ATA CODE & INDEX NO.	PART NO.	DESCRIPTION						UNITS PER ASSY	USABLE ON CODE
		1	2	3	4	5	6		
20-25	60-530269-1	UPHOLSTERY	INSTL,	SIDEWALL/STD	4	PLACE SEATING/.	NP	1	
	60-530269-305	UPHOLSTERY	INSTL,	SIDEWALL/STD	4	PLACE SEATING/.	NP	2	
	60-530269-313	UPHOLSTERY	INSTL,	SIDEWALL/STD	4	PLACE SEATING/.	NP	7	
	60-530269-3	UPHOLSTERY	INSTL,	SIDEWALL/CLUB	W/O	TABLE/ . . .	NP	1	
	60-530269-307	UPHOLSTERY	INSTL,	SIDEWALL/CLUB	W/O	TABLE/ . . .	NP	2	
	60-530269-315	UPHOLSTERY	INSTL,	SIDEWALL/CLUB	W/O	TABLE/ . . .	NP	7	
	60-530269-5	UPHOLSTERY	INSTL,	SIDEWALL/CLUB	WITH	TABLE/ . . .	NP	1	
	60-530269-309	UPHOLSTERY	INSTL,	SIDEWALL/CLUB	WITH	TABLE/ . . .	NP	2	
	60-530269-317	UPHOLSTERY	INSTL,	SIDEWALL/CLUB	WITH	TABLE/ . . .	NP	7	
	60-530269-7	UPHOLSTERY	INSTL,	SIDEWALL/6	PLACE	FWD SEATING/.	NP	1	
	60-530269-311	UPHOLSTERY	INSTL,	SIDEWALL/6	PLACE	FWD SEATING/.	NP	2	
	60-530269-325	UPHOLSTERY	INSTL,	SIDEWALL/6	PLACE	FWD SEATING/.	NP	7	
- 1	60-530203-3	. COVER,	FORWARD	BULKHEAD.	1		
- 2	60-530269-189	. PEDESTAL	PANEL	ASSY,LH.	1		
- 3	60-530269-205	. PEDESTAL	PANEL	ASSY,LH.	1		
- 4	60-530269-269	. PEDESTAL	PANEL	ASSY,LH.	1		
- 5	60-530203-213	. PANEL,LH	FORWARD	SCUFF.	1		
		/ATTACHING PARTS/							
	NAS385-6-8P	. SCREW	4		
	NAS391-6P	. WASHER.	4		
- 6	60-530269-57	. TRIM,LH	FORWARD	1		
		/ATTACHING PARTS/							
	MS24693S29	. SCREW	5		
	6S	. WELLNUT	5		
	60-530269-123	. PANEL	ASSY,LH	1	1	
	60-530269-259	. TRIM,LH	1	1	
- 7	60-530358-1	. UPHOLSTERY	PANEL,LH	1	9	
- 8	60-530269-17	. PANEL,LH	SCUFF.	1		
- 9	60-530269-55	. TRIM,LH	1		
		/ATTACHING PARTS/							
	MS24693S29	. SCREW	2		
	6S	. WELLNUT	2		
- 10		. DELETED			
- 11		. DELETED			
- 12	60-530269-213	. DOUBLER	ASSY,CABIN	TEMP	SENSOR.	1		
- 13	R 60-530269-137	. PANEL	ASSY,LH	1	11	
	R 60-530269-343	. PANEL	ASSY,LH	1	12	
- 14	60-530269-257	. TRIM,LH	1		
		/ATTACHING PARTS/							
	MS24693S29	. SCREW	2		
	6S	. WELLNUT	2		
- 15	60-530230-1	. CAP,TRIM	PROTECTOR.	6		
- 16	60-530269-19	. PANEL	ASSY,LH	1		
	60-530269-37	. TRIM,LH	1		
		/ATTACHING PARTS/							
	MS24693S29	. SCREW	5		
	6S	. WELLNUT	5		

BEECHCRAFT
DUKE B60
ILLUSTRATED PARTS CATALOG



B60-311-8

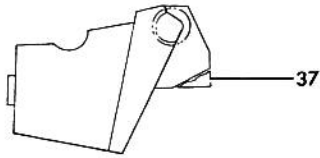
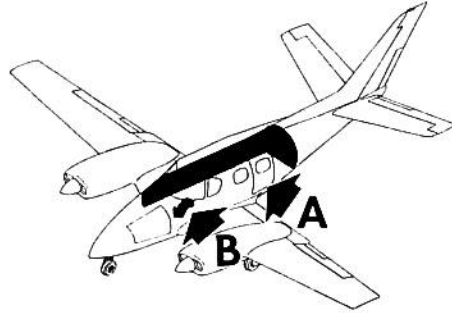
FIGURE 20-25.CABIN UPHOLSTERY
/SHEET 2 OF 6 SHEETS/

B E E C H C R A F T
DUKE B60
I L L U S T R A T E D P A R T S C A T A L O G

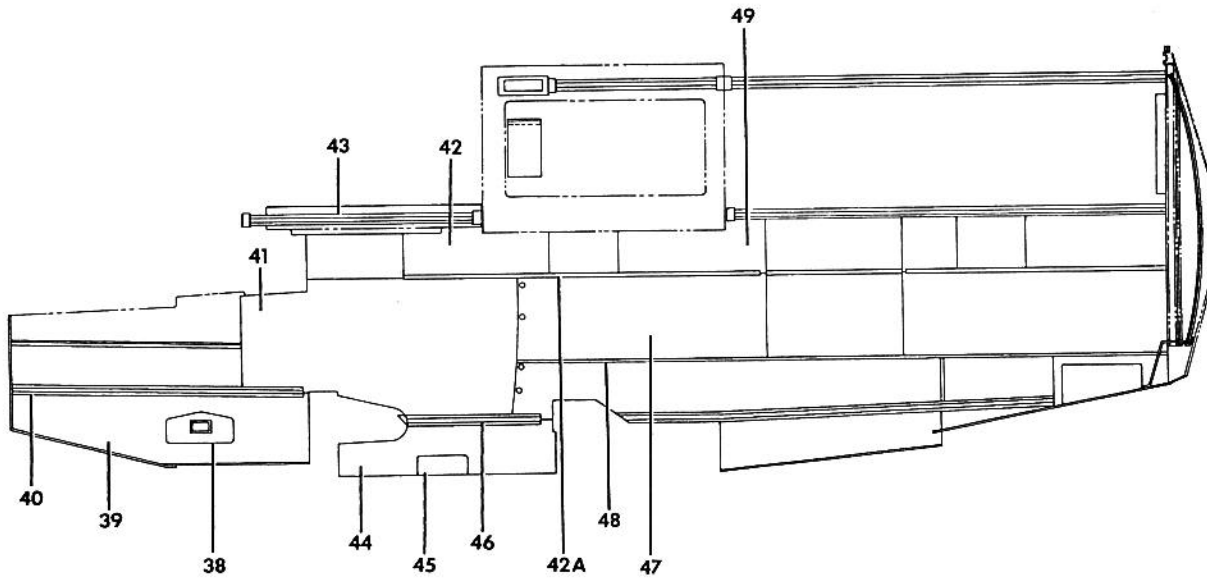
SUB-SECT UNIT & ITEM NO.	PART NO.	DESCRIPTION	UNITS PER ASSY	USABLE ON CODE
		1 2 3 4 5 6 7		
20-25 - 17	60-530269-11	. TRIM,LH/FOR STD 4 PLACE AND 5TH OR 6TH PLACE SEATING/	1	
- 18 R	60-530269-39 60-530269-23	. TRIM,LH/FOR CLUB SEATING WITH OR W/O TABLE/ . . PANEL ASSY,LH/FOR STD 4 PLACE AND 5TH OR 6TH PLACE SEATING/	1 1	11
R	60-530269-345	. PANEL ASSY,LH/FOR STD 4 PLACE AND 5TH OR 6TH PLACE SEATING/	1	12
R	60-530269-73	. PANEL ASSY,LH/FOR CLUB SEATING WITH OR W/O TABLE/	1	11
R	60-530269-347	. PANEL ASSY,LH/FOR CLUB SEATING WITH OR WITHOUT TABLE/	1	12
- 19	60-530269-27	. PANEL ASSY,LH/FOR STD 4 PLACE AND 5TH OR 6TH PLACE SEATING/	1	
	60-530269-77	. PANEL ASSY,LH/FOR CLUB SEATING WITH OR W/O TABLE/	1	
- 20	60-530269-53	. TRIM,LH	1	
- 21	60-530269-51	. TRIM,LH	1	
- 22	60-530269-265	. TRIM,CABIN DOOR EDGE/FWD LWR/	1	
	60-530203-301	. TRIM,CABIN DOOR EDGE/FWD UPPER/	1	
- 23 R	60-530241	. HANDLE,CABIN ENTRANCE AND DEPARTURE ASSIST. /ATTACHING PARTS/	1	10
R	NAS387-832-12P	. SCREW	4	10
		*		
R	60-530189-69	. TRIM,CABIN DOOR EDGE/HEADLINER/	1	
R	60-530203-299	. TRIM,CABIN DOOR EDGE/AFT UPPER/	1	
- 24	60-530269-267	. TRIM,CABIN DOOR EDGE/AFT LWR/	1	8
	60-530380-13	. TRIM,CABIN DOOR EDGE/AFT LWR/	1	7
	60-530230-5	. CAP,TRIM PROTECTOR/AFT LWR/	1	
- 25	60-530269-141	. PANEL,LH LOWER.	1	8
- 26	60-530269-119	. PANEL ASSY,LH	1	8
- 27	60-530269-63	. TRIM,LH	1	8
- 28	60-530316-3	. PANEL,LH LOWER.	1	8
	60-530380-15	. PANEL ASSY,LOWER LH AFT	1	7
	60-530269-331	. PANEL ASSY,LOWER AFT/STD 4 PLACE/	1	7
- 29	60-530269-45	. PANEL ASSY,LH AFT	1	
- 30	60-530269-33	. TRIM,LH	1	
		/ATTACHING PARTS/		
	MS24693S29	. SCREW	6	
	6S	. WELLNUT	6	
		*		
- 31	60-530269-41	. PANEL ASSY,LH/FOR STD 4 PLACE SEATING/	1	
	60-530269-87	. PANEL ASSY,LH/FOR CLUB SEATING WITH AND W/O TABLE AND 5TH OR 6TH PLACE SEATING/	1	8
- 32	60-530269-91	. PANEL ASSY,LH/FOR CLUB SEATING WITH AND W/O TABLE AND 5TH OR 6TH PLACE SEATING/	1	8
- 33	60-530269-35	. TRIM,LH/FOR STD 4 PLACE SEATING/	1	
	60-530269-83	. TRIM,LH/FOR CLUB SEATING WITH AND W/O TABLE AND 5TH OR 6TH PLACE SEATING/	1	8
- 34	60-530269-59	. TRIM,UPPER LH AFT	1	
	60-530230-3	. CAP,TRIM PROTECTOR/AFT UPPER/	1	8
- 35	60-530269-61	. TRIM,LH CENTER AFT.	1	
		/ATTACHING PARTS/		
R	MS24693S29	. SCREW	AR	
R	6S	. WELLNUT	AR	
		*		
- 36	60-530269-115	. STRIP,LH SOUNDPROOFING.	1	

NOTE SEE CHAPTER 25-20-27 FOR 5TH & 6TH SEAT UPHOLSTERY USED P-511,P-520 AND AFTER.

BEECHCRAFT
DUKE B60
ILLUSTRATED PARTS CATALOG



VIEW B



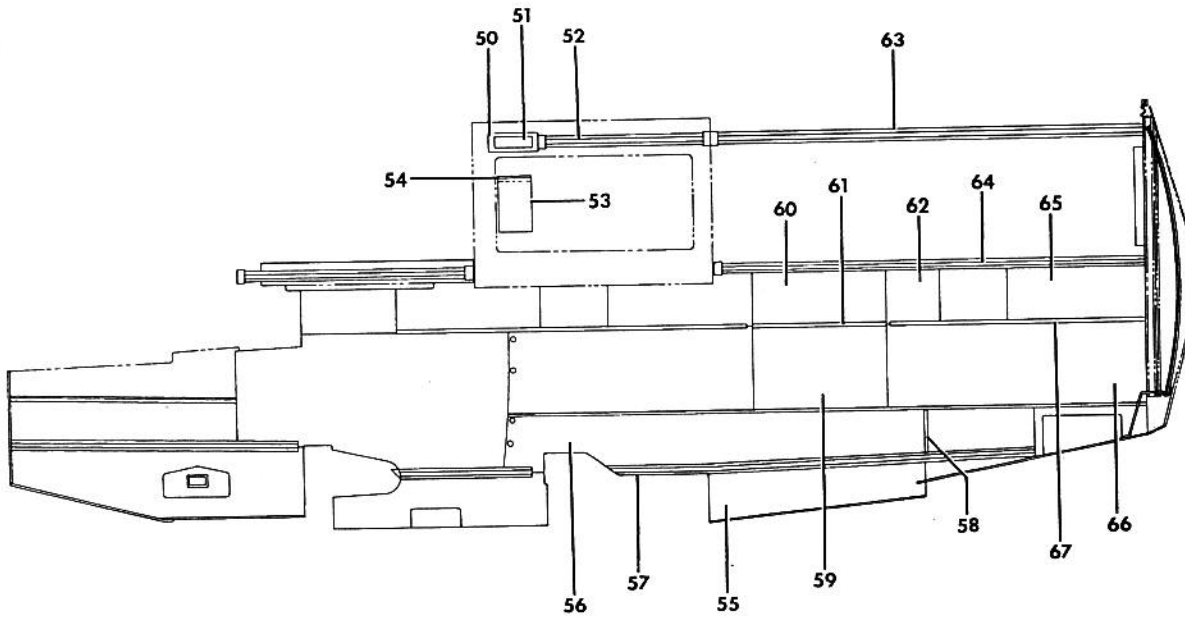
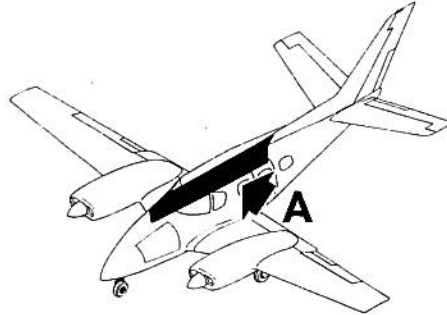
VIEW A

B60-311-9

B E E C H C R A F T
DUKE B60
I L L U S T R A T E D P A R T S C A T A L O G

GAMA/ATA CODE & INDEX NO.	PART NO.	1 2 3 4 5 6 7	DESCRIPTION	UNITS PER ASSY	USABLE ON CODE
20-25 - 37	60-530269-197	.	PEDESTAL PANEL ASSY,RH.	1	
- 38	60-530269-135	.	DOOR ASSY,STATIC AIR LINE ACESS	1	
	NAS387-632-8P	.	SCREW	2	
	NAS391-6P	.	WASHER.	2	
	60-530249-1	.	COVER PLATE	1	
	50-534401	.	INSTRUCTION PLATE,STATIC AIR.	1	
	NAS385-6-8P	.	SCREW	2	
	NAS391-6P	.	WASHER.	2	
	NAS446-2-1	.	NUT	2	
- 39	60-530203-339	.	PANEL,RH FORWARD SCUFF.	1	
	NAS385-6-8P	.	SCREW	4	
	NAS391-6P	.	WASHER.	4	
- 40	60-530269-57	.	TRIM,RH FORWARD	1	
	MS24693S29	.	SCREW	5	
	6S	.	WELLNUT	5	
	60-530269-124	.	PANEL ASSY,RH	1	1
	60-530269-261	.	TRIM,RH	1	1
- 41	60-530358-2	.	UPHOLSTERY PANEL,RH	1	9
- 42	60-530269-245	.	PANEL ASSY,RH/FOR STD 4 PLACE AND 5TH OR 6TH. PLACE SEATING/	1	
- 42A	60-530269-249	.	PANEL ASSY,RH/FOR CLUB SEATING WITH OR W/O. TABLE/	1	
- 43	60-530269-71	.	TRIM,RH FORWARD/UPPER/.	1	
	60-530230-1	.	CAP,TRIM PROTECTOR.	2	
	60-530269-18	.	PANEL,RH SCUFF.	1	3
- 44	60-530269-299	.	PANEL,RH SCUFF.	1	4
- 45	60-530269-301	.	COVER ASSY.	1	4
	OHS8SM14DS01BK	.	SCREW	4	
	60-530269-303	.	COVER	1	4
	60-530343-1	.	PLACARD,GENERATOR VOLTAGE ADJUSTMENT.	1	4
- 46	60-530269-56	.	TRIM,RH	1	
	MS24693S29	.	SCREW	2	
	6S	.	WELLNUT	2	
- 47	60-530269-159	.	PANEL ASSY,RH	1	
- 48	60-530269-31	.	TRIM,RH CENTER.	1	
	MS24693S29	.	SCREW	18	
	6S	.	WELLNUT	18	
- 49	60-530269-163	.	PANEL ASSY,RH/FOR STD 4 PLACE AND 5TH OR 6TH. PLACE SEATING/	1	
	60-530269-167	.	PANEL ASSY,RH/FOR CLUB SEATING WITH OR W/O. TABLE/	1	

BEECHCRAFT
DUKE B60
ILLUSTRATED PARTS CATALOG



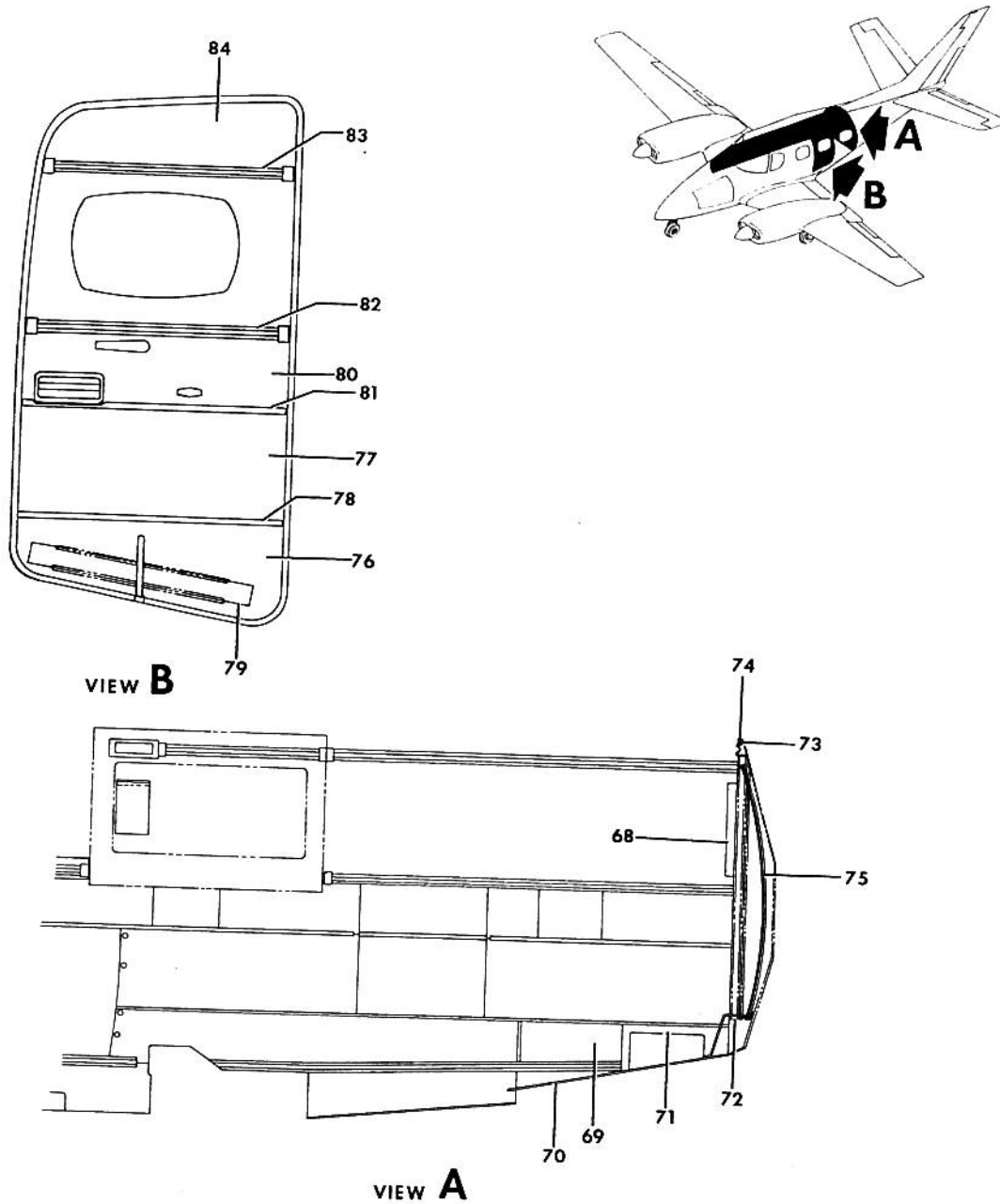
VIEW A

B60-311-10

B E E C H C R A F T
DUKE 860
I L L U S T R A T E D P A R T S C A T A L O G

GAMA/ATA CODE & INDEX NO.	PART NO.	1 2 3 4 5 6 7	DESCRIPTION	UNITS PER ASSY	USABLE ON CODE
20-25 - 50	60-530112-3	.	ESCUTCHEON	1	
		.	/ATTACHING PARTS/		
	NAS387-632-14P	.	SCREW	4	
	MS21083N06	.	NUT	4	
- 51	60-384039	.	SIGN,EMERGENCY EXIT	1	
- 52	60-530269-69	.	TRIM,ESCAPE HATCH	1	
		.	/ATTACHING PARTS/		
	AN531-6R-10	.	SCREW	3	
- 53	60-530032-253	.	COVER ASSY,ESCAPE HANDLE.	1	
		.	/ATTACHING PARTS/		
	105774M-ZE00330	.	PIN,HINGE	1	
- 54	60-530032-255	.	HINGE HALF.	1	
		.	/ATTACHING PARTS/		
	MS24693S51	.	SCREW	2	
	AN960-8	.	WASHER.	2	
	MS21083N08	.	NUT	2	
- 55	60-530269-149	.	PANEL,RH.	1	
- 56	60-530269-151	.	PANEL ASSY,RH	1	
- 57	60-530269-85	.	TRIM,RH	1	8
		.	/ATTACHING PARTS/		
	MS24693S29	.	SCREW	6	
	6S	.	WELLNUT	6	
- 58	60-530380-23	.	TRIM,RH	1	7
	60-530269-275	.	TRIM,RH	1	8
		.	/ATTACHING PARTS/		
	AN504-4	.	SCREW	3	
- 59	60-530269-227	.	PANEL ASSY/WITHOUT TABLE/	1	
- 60	60-530269-95	.	PANEL ASSY.	1	
- 61	60-530269-221	.	PANEL ASSY.	1	
	60-530269-99	.	TRIM.	1	
	60-530269-101	.	ANGLE	1	
	60-530269-225	.	BASE.	1	
	60-530269-229	.	ANGLE	1	
	60-530269-237	.	RETAINER.	1	
	60-530269-279	.	PANEL	1	
	60-384076-1	.	TABLE ASSY/SEE CHAPTER 25-25-01/.	1	
	60-530269-289	.	PANEL ASSY/SEE CHAPTER 25-25-01/.	1	
	60-530269-193	.	PANEL ASSY/SEE CHAPTER 25-25-01/.	1	
- 62	60-530269-171	.	PANEL ASSY,RH/FOR CLUB SEATING WITH OR W/O	1	8
		.	TABLE AND 5TH OR 6TH PLACE SEATING/		
- 63	60-530269-65	.	TRIM,RH	1	
- 64	60-530269-67	.	TRIM,RH	1	
- 65	60-530269-175	.	PANEL ASSY,RH/FOR STD 4 PLACE SEATING/.	1	
	60-530269-87	.	PANEL ASSY,RH/FOR CLUB SEATING WITH AND W/O	1	8
		.	TABLE AND 5TH OR 6TH PLACE SEATING/		
- 66	60-530269-179	.	PANEL ASSY,RH	1	
- 67	60-530269-131	.	TRIM,RH/FOR STD 4 PLACE SEATING/.	1	
	60-530269-133	.	TRIM,RH/FOR CLUB SEATING WITH AND W/O TABLE	1	8
		.	AND 5TH OR 6TH PLACE SEATING/		

BEECHCRAFT
DUKE B60
ILLUSTRATED PARTS CATALOG

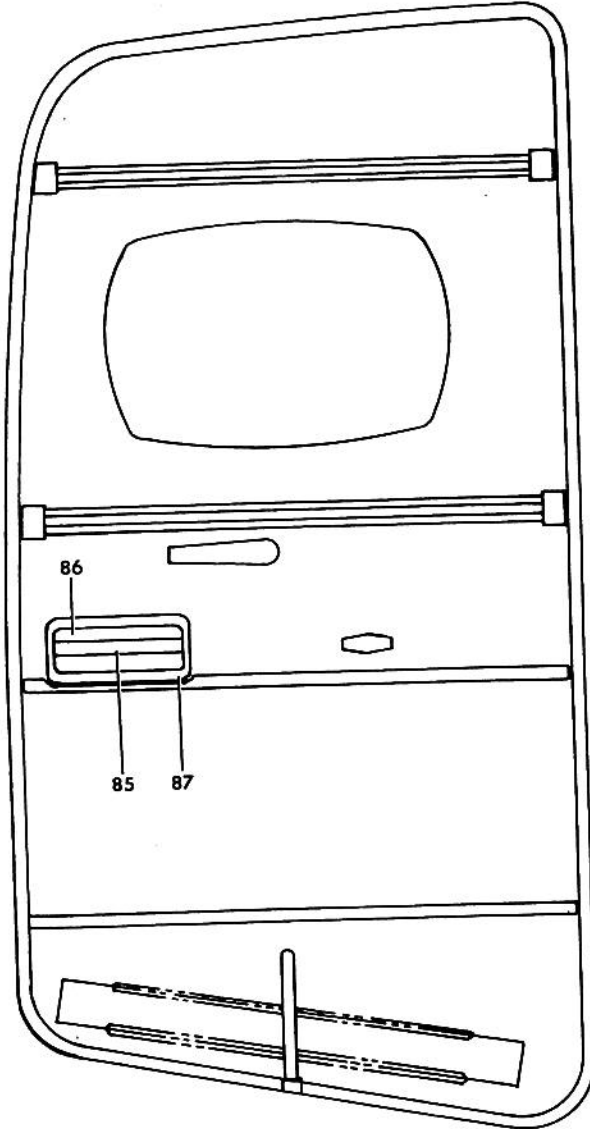
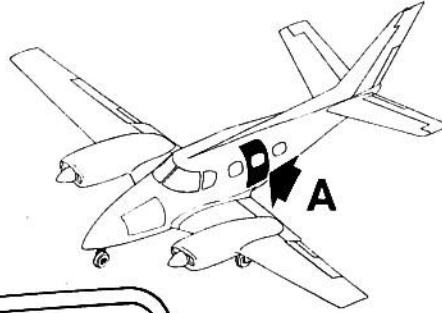


B60-311-11

B E E C H C R A F T
DUKE B60
I L L U S T R A T E D P A R T S C A T A L O G

GAMA/ATA CODE & INDEX NO.	PART NO.	DESCRIPTION	1 2 3 4 5 6 7							UNITS PER ASSY	USABLE ON CODE
			1	2	3	4	5	6	7		
20-25 - 68	60-530269-115	. STRIP,RH SOUNDPROOFING.								1	
- 69	60-530269-253	. PANEL ASSY,RH								1	8
- 70	60-530269-153	. PANEL,RH.								1	8
- 71	60-530316-1	. PANEL,RH LOWER.								1	8
	60-530380-19	. PANEL ASSY,LOWER RH AFT								1	7
	60-530270-1	UPHOLSTERY INSTL,AFT BULKHEAD								NP	
- 72	60-530270-3	. RETAINER.								1	8
	60-530273-5	. RETAINER.								1	7
- 73	SJ3509	. HOOK.								AR	
- 74	SJ3514	. LOOP.								AR	
	60-530305-1	. SHIELD INSTL.								NP	
- 75	60-530305-3	. SHIELD ASSY								1	
	60-530298-1	. ESCUTCHEON INSTL.								NP	1
	60-530298-5	. ESCUTCHEON INSTL.								NP	2
	60-530298-11	. ESCUTCHEON INSTL.								1	7
	60-530298-3	. . ESCUTCHEON.								1	1
	60-530298-7	. . ESCUTCHEON.								1	2
	60-530298-13	. . ESCUTCHEON.								1	7
		/ATTACHING PARTS/									
	NAS387-832-8P	. . SCREW								3	
	NAS387-832-12P	. . SCREW								3	
	NAS391-8P	. . WASHER.								6	
		↓									
	60-530271-1	UPHOLSTERY INSTL,CABIN DOOR								NP	5
	60-530271-37	UPHOLSTERY INSTL,CABIN DOOR								NP	6
- 76	60-530271-3	. PANEL ASSY.								1	
- 77	60-530271-9	. PANEL ASSY.								1	
- 78	60-530271-21	. TRIM.								1	
		/ATTACHING PARTS/									
	MS24693S30	. SCREW								6	
	6S	. WELLNUT								6	
		↓									
- 79	60-530205-45	. STIFFENER								1	
	60-530271-15	. PANEL ASSY.								1	5
- 80	60-530271-41	. PANEL ASSY.								1	6
	60-530271-23	. TRIM.								1	5
- 81	60-530271-37	. TRIM.								1	6
		/ATTACHING PARTS/									
	MS24693S30	. SCREW								4	
	6S	. WELLNUT								4	
		↓									
- 82	60-530271-25	. TRIM.								1	
		/ATTACHING PARTS/									
	MS24693S53	. SCREW								2	
	B832	. WELLNUT								2	
		↓									
- 83	60-530271-29	. TRIM.								1	
		/ATTACHING PARTS/									
	MS24693S53	. SCREW								3	
	B832	. WELLNUT								3	
		↓									
	60-530230-1	. CAP,TRIM PROTECTOR.								3	
	60-530230-5	. CAP,TRIM PROTECTOR.								1	
- 84	60-530205-77	. PANEL,UPPER DOOR.								1	

BEECHCRAFT
DUKE B60
ILLUSTRATED PARTS CATALOG



VIEW A

860-311-12

B E E C H C R A F T
DUKE B60
I L L U S T R A T E D P A R T S C A T A L O G

GAMA/ATA CODE & INDEX NO.	PART NO.	1 2 3 4 5 6 7	DESCRIPTION	UNITS PER ASSY	USABLE ON CODE
20-25	60-530113-1	.	HANDLE INSTL.	NP	5
	60-530113-21	.	HANDLE INSTL.	NP	6
- 85	1775-354-324	.	HANDLE ASSY, CABIN DOOR.	1	
	60-530113-5	.	SPACER.	2	
	60-530113-9	.	ANGLE	2	
- 86	60-530113-13	.	PANEL	1	
	60-530113-19	.	SUPPORT ASSY.	1	
	AN525-832R12	.	SCREW	4	
			/ATTACHING PARTS/		
- 87	60-530113-17	.	TRIM.	1	
	60-430315-11	.	STAY ASSY/SEE CHAPTER 52-10-01/	1	
	SJ3509	.	HOOK.	AR	
	SJ3514	.	LOOP.	AR	
	60-530225-3	.	PLATE, IDENTIFICATION.	1	

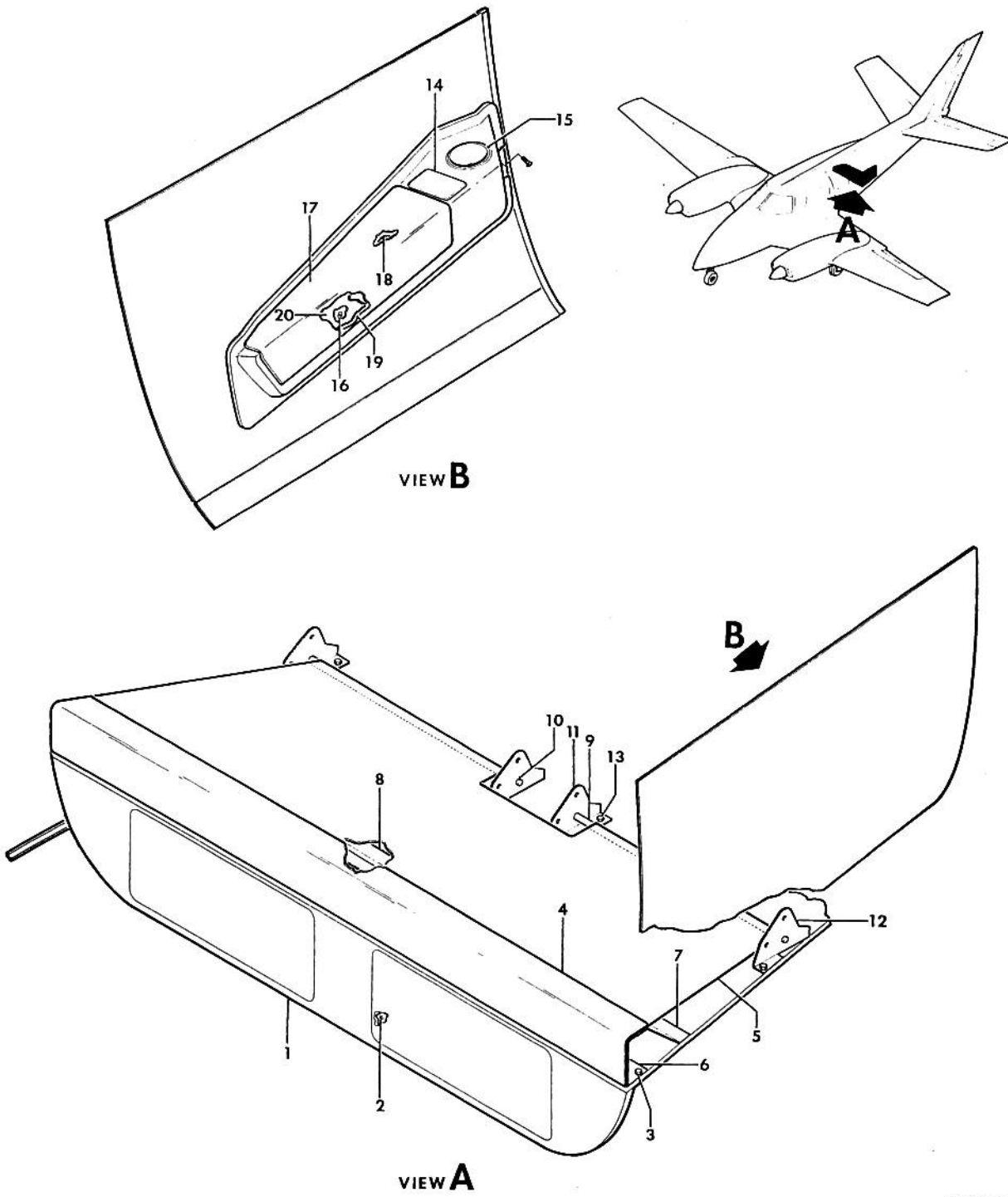
CODES OF EFFECTIVITY

1	P-247 THRU P-445	2	P-446 THRU P-510 P-512 THRU P-519
3	P-247 THRU P-465	4	P-466 AND AFTER
5	P-247 ONLY	6	P-248 AND AFTER
7	P-511, P-520 AND AFTER	8	P-247 THRU P-510 P-512 THRU P-519
9	P-446 AND AFTER	10	P-247 THRU P-565
11	P-247 THRU P-562	12	P-563 AND AFTER

B E E C H C R A F T
DUKE B60
I L L U S T R A T E D P A R T S C A T A L O G

25-20-27
UPHOLSTERY INSTALLATION
/5TH AND 6TH SEAT/
P-511,P-520 AND AFTER

BEECHCRAFT
DUKE B60
ILLUSTRATED PARTS CATALOG

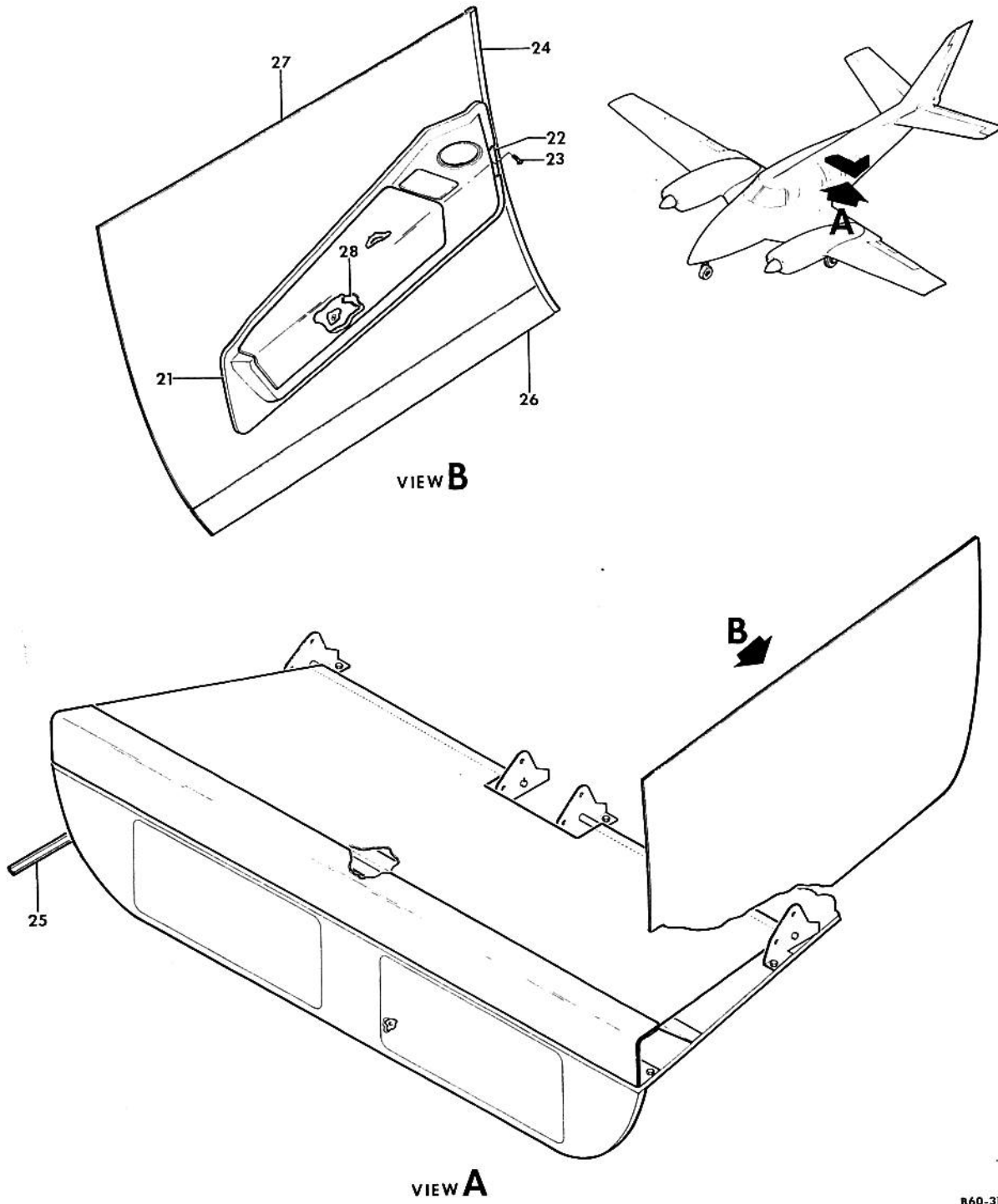


B60-317-9

BEECHCRAFT
DUKE B60
ILLUSTRATED PARTS CATALOG

GAMA/ATA CODE & INDEX NO.	PART NO.	DESCRIPTION							UNITS PER ASSY	USABLE ON CODE
		1	2	3	4	5	6	7		
20-27	60-530380-1	UPHOLSTERY INSTL/5TH & 6TH SEAT/	NP	2	
	60-530380-51	UPHOLSTERY INSTL/5TH & 6TH SEAT/	NP	3	
- 1	60-384085-1	COMPARTMENT, BENCH SEAT STOWAGE/INCLUDES LH. AND RH DRAWER/ /ATTACHING PARTS/	1	1	
- 2	MS24693S274	SCREW	6		
	60-530380-25	FRAME ASSY, BENCH SEAT	1	2	
	60-530380-41	FRAME ASSY, BENCH SEAT /ATTACHING PARTS/	1	3	
- 3	130909B19 AN960-10L	BOLT. WASHER.	10 10		
- 4	60-530380-35	COVERING.	AR	2	
	60-530380-47	COVERING.	AR	3	
	60-530380-49	CAP	1	3	
- 5	60-530380-33	SLING	1	2	
	60-530380-45	SLING	1	3	
- 6	60-530380-27	FRAME	1	2	
	60-530380-43	FRAME	1	3	
- 7	60-530380-29	SUPPORT/LH/	1	2	
	60-530380-39	SUPPORT/LH/	1	3	
	60-530380-30	SUPPORT/RH/	1	2	
R	60-530380-40	SUPPORT/RH/	1	3	
- 8	60-530380-31	SUPPORT/CENTER/	1	1	
- 9	60-530380-37	TUBE/LH & RH/ /ATTACHING PARTS/	2	2	
- 10	MS24665-153	PIN	4		
- 11	60-530377-1	BRACKET/LH CENTER/	1	1	
	60-530377-2	BRACKET/RH CENTER/	1	1	
- 12	60-530377-3	BRACKET/LH/	1	1	
	60-530377-4	BRACKET/RH/ /ATTACHING PARTS/	1	1	
- 13	130909B17 AN960-10L	BOLT. WASHER.	2 2		
- 14	3130	ASH TRAY/LH & RH/	2	1	
- 15	2120-1	DRINK HOLDER/LH & RH/	2	1	
	60-530380-3	PAD ASSY, ARMREST/LH/	1	2	
	60-530380-53	PAD ASSY, ARMREST/LH/	1	3	
	60-530380-4	PAD ASSY, ARMREST/RH/	1	2	
	60-530380-54	PAD ASSY, ARMREST/RH/ /ATTACHING PARTS/	1	3	
- 16	MS35207-265 10095100040ZL	SCREW WASHER.	2 2		
- 17	60-530380-7	COVERING/LH/	1	2	
	60-530380-57	COVERING/LH/	1	3	
	60-530380-8	COVERING/RH/	1	2	
	60-530380-58	COVERING/RH/	1	3	
- 18	60-530380-9	PAD	1	1	
	60-530380-59	PAD	1	3	
- 19	60-530380-11	PAD	1	1	
	60-530380-55	PAD	1	3	
- 20	60-530380-5	PAN/LH/	1	1	
	60-530380-6	PAN/RH/	1	1	

BEECHCRAFT
DUKE B60
ILLUSTRATED PARTS CATALOG



B60-317-10

B E E C H C R A F T
DUKE B60
I L L U S T R A T E D P A R T S C A T A L O G

GAMA/ATA CODE & INDEX NO.	PART NO.	DESCRIPTION	UNITS PER ASSY	USABLE ON CODE
		1 2 3 4 5 6 7		
20-27 - 21	60-530381-1	. ESCUTCHEON, ARMREST/LH/	1	1
	60-530381-2	. ESCUTCHEON, ARMREST/RH/	1	1
- 22	60-530255-25	. PLATE/LH & RH/	2	1
		/ATTACHING PARTS/		
- 23	NAS384-8-20	. SCREW	1	

- 24	60-530380-13	. TRIM STRIP/LH ONLY/	1	1
- 25	60-530380-23	. TRIM/RH ONLY/	1	1
	60-530380-15	. PANEL ASSY/LH/	1	4
	60-530380-19	. PANEL ASSY/RH/	1	4
- 26	60-530380-17	. . PANEL/LH/	1	4
	60-530380-21	. . PANEL/RH/	1	4
	60-530380-40	. SUPPORT, SIDEWALL/LH/	1	5
	60-530380-39	. SUPPORT, SIDEWALL/RH/	1	5
	60-530382-1	. SIDEWALL ASSY/5TH & 6TH SEAT/LH/	1	4
	60-530382-11	. SIDEWALL ASSY/5TH & 6TH SEAT/LH/	1	5
	60-530382-2	. SIDEWALL ASSY/5TH & 6TH SEAT/RH/	1	4
	60-530382-13	. SIDEWALL ASSY/5TH & 6TH SEAT/RH/	1	5
- 27	60-530382-5	. . SIDEWALL/LH/	1	4
	60-530382-7	. . SIDEWALL/RH/	1	4
- 28	60-530382-9	. . DOUBLER	1	4
	MS21059L3	. . NUTPLATE	2	4
	SJ3542	. HOOK, TAPE	AR	1
	SJ3537	. LOOP, TAPE	AR	1

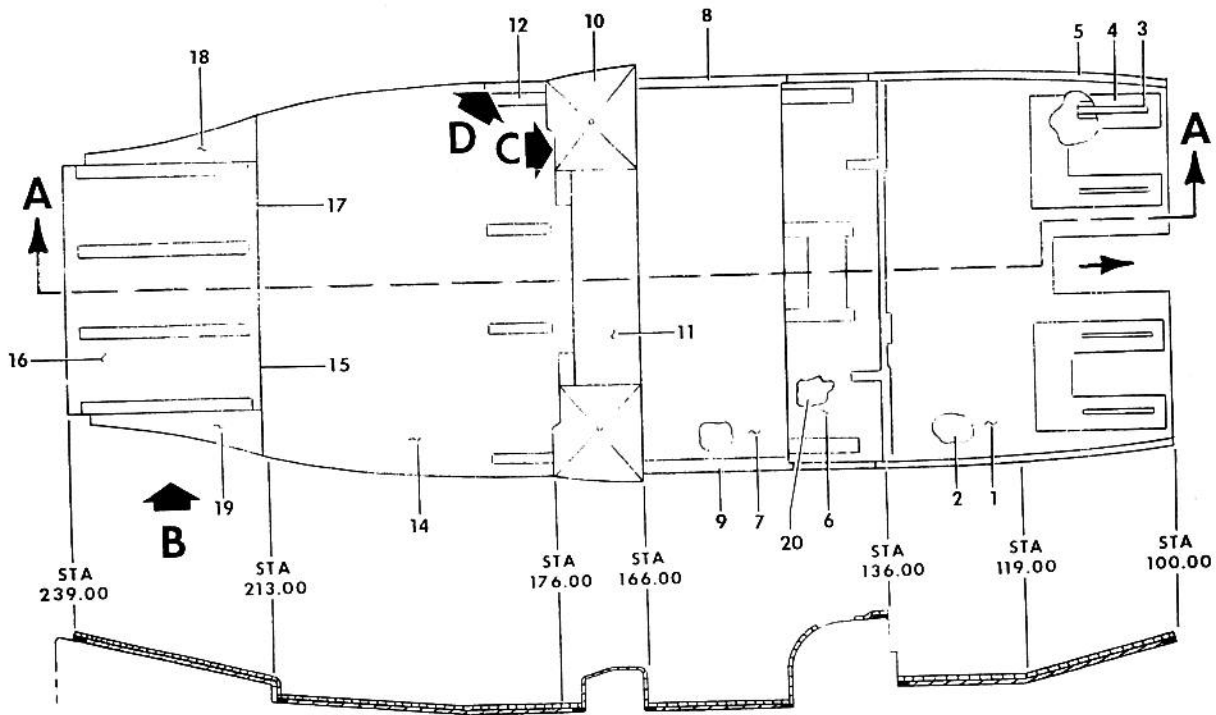
CODES OF EFFECTIVITY

- | | |
|-----------------------------|------------------------------|
| 1 P-511,
P-520 AND AFTER | 2 P-511,
P-520 THRU P-555 |
| 3 P-556 AND AFTER | 4 P-511,
P-520 THRU P-529 |
| 5 P-530 AND AFTER | |

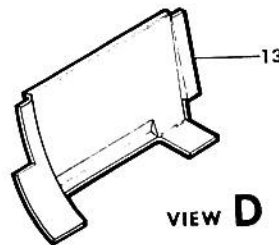
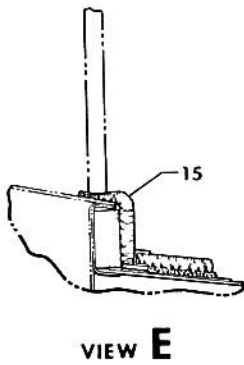
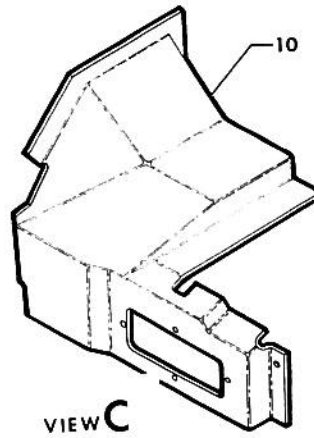
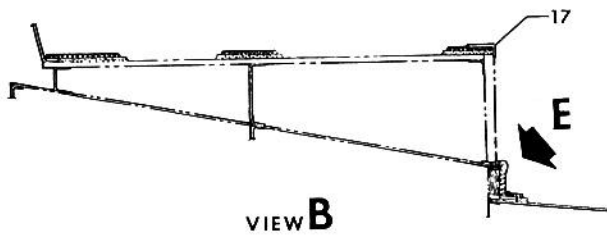
BEECHCRAFT
DUKE B60
ILLUSTRATED PARTS CATALOG

25-20-30
CARPET INSTALLATION

BEECHCRAFT
DUKE B60
ILLUSTRATED PARTS CATALOG



A - A



B60-312-3

B E E C H C R A F T
DUKE B60
I L L U S T R A T E D P A R T S C A T A L O G

GAMA/ATA CODE & INDEX NO.	PART NO.	DESCRIPTION	UNITS PER ASSY							USABLE ON CODE	
			1	2	3	4	5	6	7		
20-30	60-530282-1	CARPET INSTALLATION								NP	3
	60-530282-57	CARPET INSTALLATION/STD SEATING/.								NP	4
	60-530282-59	CARPET INSTALLATION/OPT SEATING/.								NP	4
	60-530282-3	. CARPET ASSY,CREW COMPARTMENT.								1	
- 1	60-530282-5	. . CARPET,CREW COMPARTMENT								1	
- 2	60-530282-55	. . COVER,CREW COMPARTMENT.								2	
- 3	60-530282-9	. . . BOOT,CREW COMPARTMENT								2	
- 4	60-530282-11	. . . COVER,SCUFF								1	
	60-530282-13	. CARPET ASSY,SIDEWALL LH FWD								1	
	60-530282-14	. CARPET ASSY,SIDEWALL RH FWD								1	
- 5	60-530282-15	. . CARPET,SIDEWALL LH.								1	
	60-530282-16	. . CARPET,SIDEWALL RH.								1	
	60-530282-17	. CARPET ASSY,CREW COMPARTMENT FWD SPAR								1	
- 6	60-530282-19	. . CARPET,CREW COMPARTMENT FWD SPAR.								1	
	60-530368-1	. RING,CARPET PROTECTOR								1	
	60-530282-21	. CARPET ASSY,CREW COMPARTMENT.								1	
- 7	60-530282-23	. . CARPET,CREW COMPARTMENT								1	
	60-530282-27	. CARPET ASSY,SIDEWALL LH CENTER.								1	
	60-530282-28	. CARPET ASSY,SIDEWALL RH CENTER.								1	
- 8	60-530282-29	. . CARPET,SIDEWALL LH CENTER								1	
- 9	60-530282-30	. . CARPET,SIDEWALL RH CENTER								1	
- 10	60-530292-1	. ESCUTCHEON,REAR SPAR CARRY THRU LH.								1	
	60-530292-3	. ESCUTCHEON,REAR SPAR CARRY THRU RH.								1	
- 11	60-530282-31	. CARPET,AFT SPAR /STA 174 THRU 187/.								1	
- 12	60-530282-39	. CARPET ASSY,SIDEWALL LH								1	
	60-530282-41	. CARPET,SIDEWALL RH.								1	
- 13	60-530301-1	. ESCUTCHEON,SIDEWALL								1	
	60-530293-1	. ESCUTCHEON,SIDEWALL LOWER RH.								1	
	60-530282-33	. CARPET ASSY,FLOORBOARD & SIDEWALL								1	
- 14	60-530282-35	. . CARPET,FLOORBOARD & SIDEWALL.								1	
	60-530282-61	. CARPET ASSY/STA 214/.								1	4
- 15	60-530282-63	. . CARPET/STA 214/								1	4
	60-530282-49	. CARPET ASSY,FLOORBOARD CENTER AFT								1	3
- 16	60-530282-51	. . CARPET,FLOORBOARD CENTER AFT.								1	3
- 17	60-530282-71	. TRIM,AFT CARPET/STA 214/STD SEATING/.								1	4
		/ATTACHING PARTS/									
	NAS514P1032-16	. SCREW								8	4
	6411B	. FOOTMAN LOOP/STD SEATING/BAGGAGE WEB/STA 214/								4	4
	60-530282-43	. CARPET ASSY,FLOORBOARD LH AFT								1	3
	60-530282-44	. CARPET ASSY,FLOORBOARD RH AFT								1	3
	60-530282-65	. CARPET ASSY,FLOORBOARD AFT/4 PL SEATING/.								1	4
	60-530282-73	. CARPET ASSY,FLOORBOARD AFT/OPT SEATING/								1	4
- 18	60-530282-45	. . CARPET,FLOORBOARD LH AFT.								1	3
- 19	60-530282-46	. . CARPET,FLOORBOARD RH AFT.								1	3
	60-530282-67	. . CARPET,FLOORBOARD AFT/4 PL SEATING/								1	4
	60-530282-75	. . CARPET,FLOORBOARD AFT/OPT SEATING/.								1	4
	SJ3514	. LOOP/BLACK 1 IN.WIDE/								AR	
	SJ3509	. HOOK/BLACK 1 IN.WIDE/								AR	
	60-530101-1	COVER INSTL,FRONT SPAR CARRY THRU								NP	1
	60-530101-5	. COVER								1	1
		/ATTACHING PARTS/									
	PK84XA8-5	. SCREW								7	
	60-530344-1	COVER INSTL,FRONT SPAR CARRY THRU								NP	2
- 20	60-530344-3	. COVER								1	2
		/ATTACHING PARTS/									
	PK84XA8-5	. SCREW								7	
	131364-4	. FABRIC FASTENER								AR	

CODES OF EFFECTIVITY

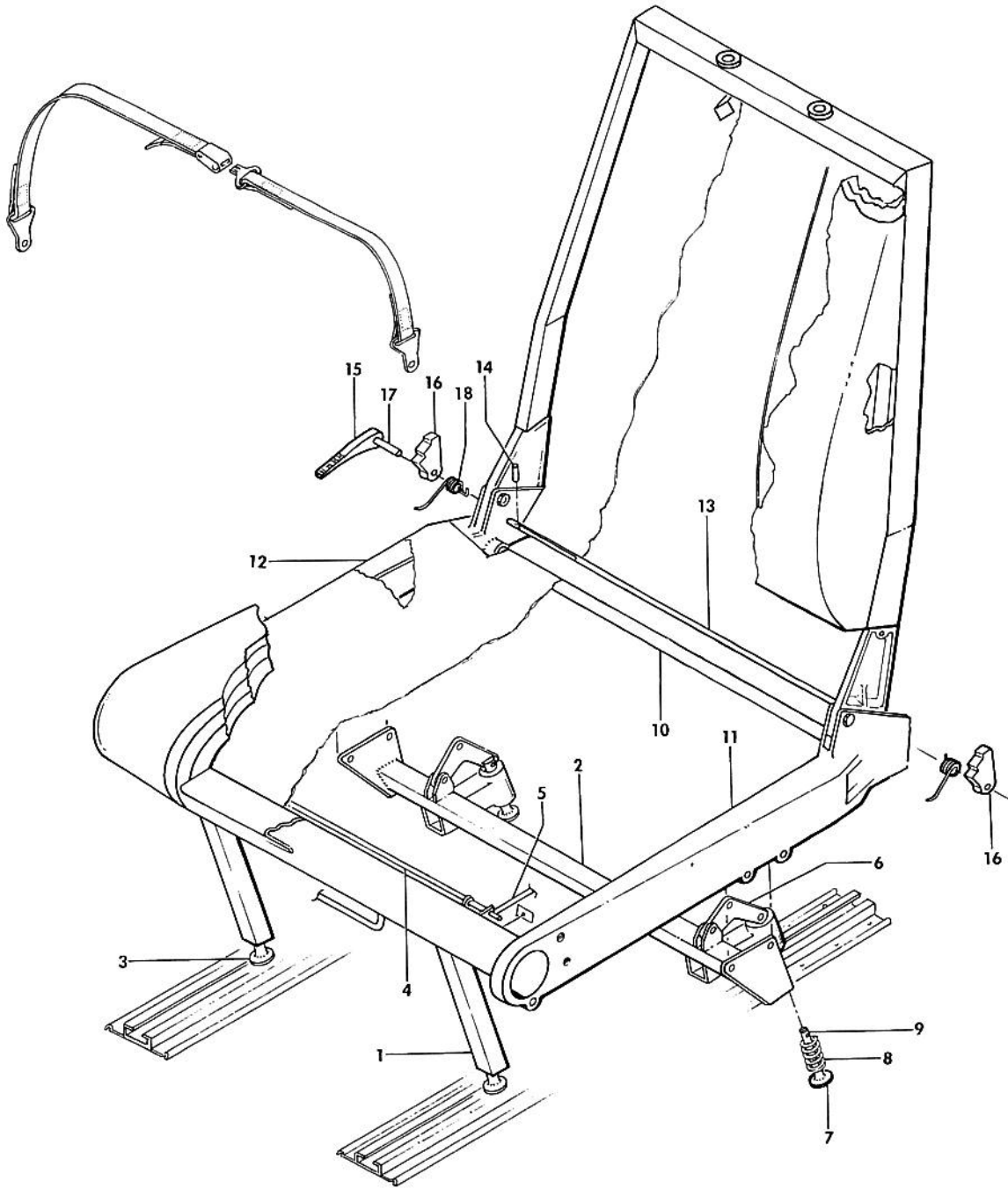
1 P-247 THRU P-409	2 P-410 AND AFTER
3 P-247 THRU P-510	4 P-511,
P-512 THRU P-519	P-520 AND AFTER

END

B E E C H C R A F T
DUKE B60
I L L U S T R A T E D P A R T S C A T A L O G

25-20-40
PASSENGER SEATS
/5TH AND 6TH/
P-247 THRU P-386 AND P-388

BEECHCRAFT
DUKE B60
ILLUSTRATED PARTS CATALOG

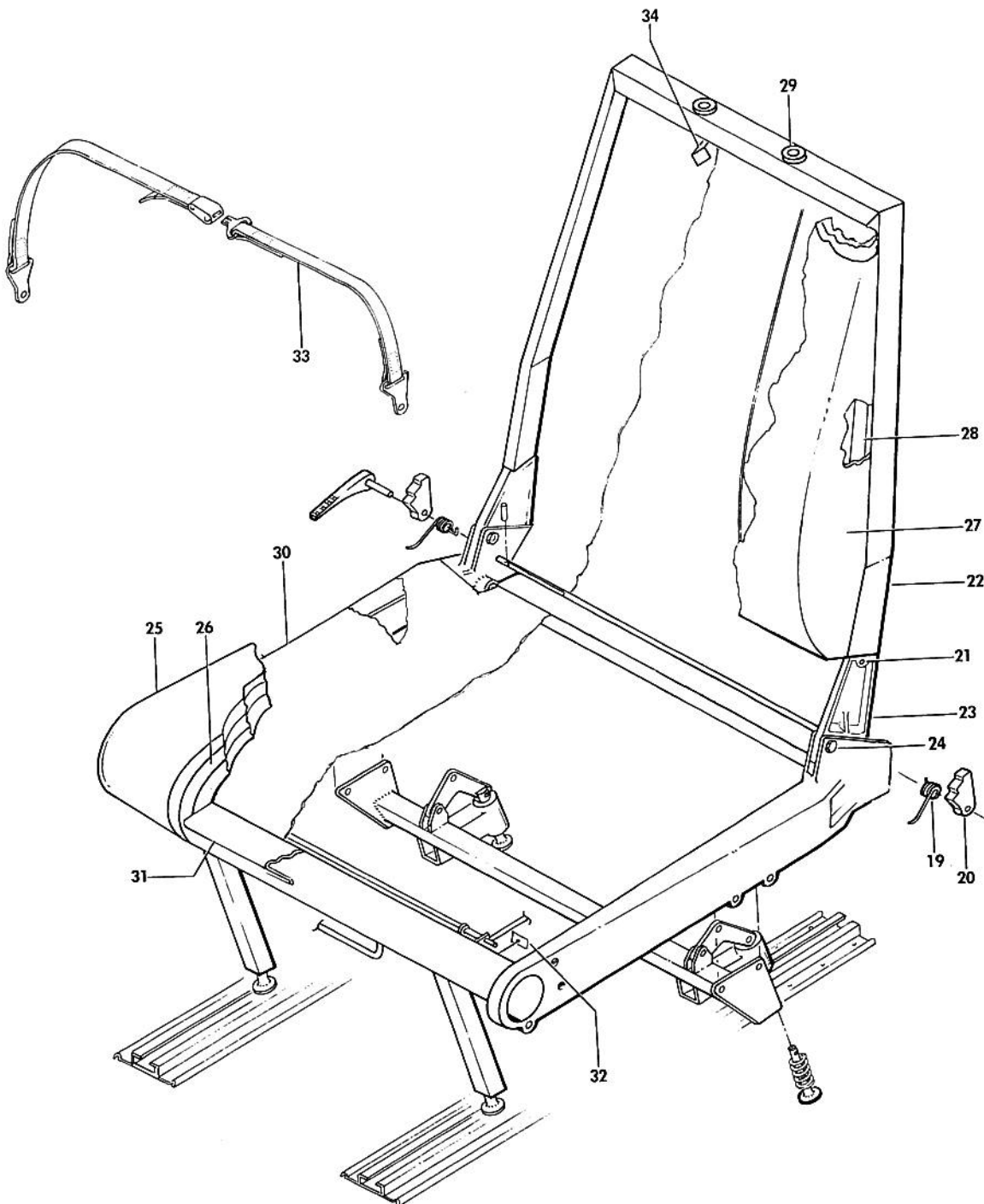


B60-317-5

B E E C H C R A F T
DUKE B60
I L L U S T R A T E D P A R T S C A T A L O G

GAMA/ATA CODE & INDEX NO.	PART NO.	DESCRIPTION	UNITS PER ASSY	USABLE ON CODE
20-40	60-530295-1	SEAT ASSY,5TH	1	1
	60-530295-3	SEAT ASSY,6TH	1	1
	60-530134-69	. . . FRAME ASSY,5TH SEAT	1	1
	60-530134-70	. . . FRAME ASSY,6TH SEAT	1	1
	60-530134-71	. . . FRAME ASSY,5TH SEAT BOTTOM.	1	1
	60-530134-72	. . . FRAME ASSY,6TH SEAT BOTTOM.	1	1
- 1	60-530134-3	. . . LEG ASSY,FWD.	1	1
- 2	60-530134-5	. . . LEG ASSY,AFT.	1	1
		/ATTACHING PARTS/		
	NAS623-3-17	. . . BOLT.	4	
	MS21042L3	. . . NUT	4	
		-----*		
- 3	100-530448-7	. . . FOOT,CHAIR LEG.	4	1
- 4	60-530134-7	. . . HANDLE ASSY,SEAT ADJUSTMENT	1	1
		/ATTACHING PARTS/		
	MS35338-44	. . . WASHER.	2	
	MS171435	. . . PIN	2	
		-----*		
- 5	60-530134-41	. . . TUBE,LINK	2	1
		/ATTACHING PARTS/		
	AN525-832R8	. . . SCREW,FWD	2	
	AN525-832R12	. . . SCREW,AFT	2	
	AN968-8	. . . WASHER.	4	
	MS21042-08	. . . NUT	4	
		-----*		
- 6	60-530134-61	. . . LINK.	2	1
		/ATTACHING PARTS/		
	AN525-832R8	. . . SCREW	1	
	AN525-832R12	. . . SCREW	1	
	AN960-8	. . . WASHER.	2	
	130909N28	. . . NUT	2	
		-----*		
- 7	60-530134-25	. . . PIN,SEAT STOP	2	1
- 8	100943CR-ZW024E	. . . SPRING.	2	1
- 9	115-530069-5	. . . PIN	2	1
		/ATTACHING PARTS/		
	MS171529	. . . PIN	1	
		-----*		
- 10	60-530134-39	. . . PIN	1	1
		/ATTACHING PARTS/		
	MS171535	. . . PIN	2	
		-----*		
- 11	60-530039-5	. . . RAIL,5TH SEAT LH SIDE	1	1
	60-530134-67	. . . RAIL,6TH SEAT LH SIDE	1	1
- 12	60-530039-6	. . . RAIL,5TH & 6TH SEAT RH SIDE	1	1
- 13	60-530134-49	. . . TUBE.	1	1
		/ATTACHING PARTS/		
- 14	MS171498	. . . PIN	2	
		-----*		
- 15	60-530052-7	. . . HANDLE,SEAT BACK ADJUSTMENT	1	1
		/ATTACHING PARTS/		
	MS171498	. . . PIN	1	
		-----*		
- 16	60-530043-5	. . . CAM,SEAT BACK	2	1
		/ATTACHING PARTS/		
	MS171539	. . . PIN,ROLL.	1	
		-----*		
- 17	60-530160	. . . PIN,SEAT BACK HANDLE.	1	1
- 18	60-530046-1	. . . SPRING,SEAT BACK TORSION.	1	1

BEECHCRAFT
DUKE B60
ILLUSTRATED PARTS CATALOG

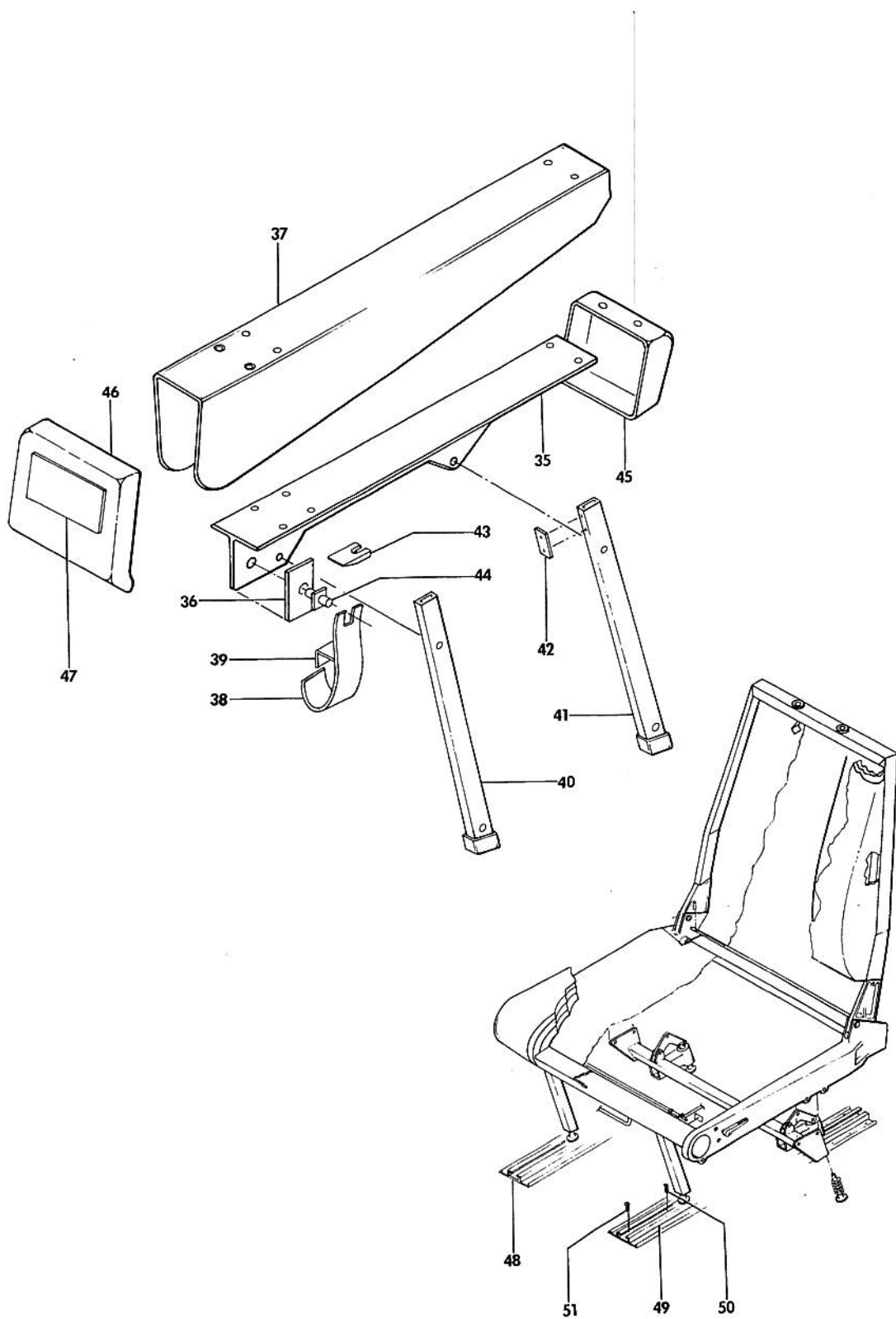


B60-317-6

B E E C H C R A F T
DUKE B60
I L L U S T R A T E D P A R T S C A T A L O G

GAMA/ATA CODE & INDEX NO.	PART NO.	1	2	3	4	5	6	7	DESCRIPTION	UNITS PER ASSY	USABLE ON CODE
20-40 - 19	60-530046-2	SPRING,SEAT BACK TORSION.	1	1
- 20	50-530161-1	PIN	1	1
	60-530296-1	FRAME ASSY,SEAT BACK. /ATTACHING PARTS/	1	1
- 21	NAS221-21	SCREW	2	
	100951X032WF	SPACER/NEXT TO HEAD/.	2	
	102933D4ZM0190	SPACER /NEAR SIDE/.	2	
	AN960-10L	WASHER.	2	
	22K2-02	NUT,CAP	2	
- 22	60-530296-9	FRAME ASSY,SEAT BACK.	1	1
- 23	60-530040-7	ADAPTER,SEAT BACK /ATTACHING PARTS/	2	1
- 24	MS27039-1-15	SCREW	2	
	AN960-10L	WASHER.	2	
	MS21042L3	NUT	2	
- 25	60-530295-6	COVER ASSY,5TH SEAT BOTTOM.	1	1
	60-530295-5	COVER ASSY,6TH SEAT BOTTOM.	1	1
- 26	58-530185-3	CUSHION,5TH SEAT BOTTOM	1	1
	60-530295-9	CUSHION,6TH SEAT BOTTOM	1	1
- 27	60-530295-7	COVER ASSY,5TH & 6TH SEAT BACK.	1	1
- 28	60-530295-11	CUSHION,5TH & 6TH SEAT BACK	1	1
- 29	130010-3	MOULDING,HEADREST/ALTERNATE FOR 130010-5/	2	1
	130010-5	MOULDING,HEADREST/ALTERNATE FOR 130010-3/	2	1
- 30	60-530295-13	SLING,SEAT BOTTOM	1	1
	60-530295-15	SLING,SEAT BACK	1	1
- 31	36-530023-17	EXTENSION,SEAT /5TH & 6TH SEAT/ /ATTACHING PARTS/	1	1
	AN530-6R5	SCREW	10	
- 32	130569	PLACARD,IDENTIFICATION. /ATTACHING PARTS/	1	1
	AN535-2-4	SCREW	2	
- 33	130498C19-32	BELT ASSY,SEAT /5TH AND 6TH/.	1	1
	60-5022-1S	KIT,SHOULDER HARNESS.	1	1
- 34	60-530297-1	STOP,HEADREST SPRING. /ATTACHING PARTS/	1	1
	MS35206-247	SCREW	2	
	MS21042L08	NUT	2	
	60-530139-41	ARMREST INSTL,STOWABLE/6TH SEAT ONLY/	NP	1
	60-530139-43	ARMREST ASSY,STOWABLE /ATTACHING PARTS/	1	1
	AN525-416R9	SCREW	1	
	AN24-18A	SCREW,FWD	1	
	50-534547-25	WASHER.	2	
	105739S-YD0700	BUSHING	1	
	42ND8-048	NUT	2	
	60-530139-45	FRAME ASSY,ARMREST.	1	1

BEECHCRAFT
DUKE B60
ILLUSTRATED PARTS CATALOG



B60-317-7

B E E C H C R A F T
DUKE B60
I L L U S T R A T E D P A R T S C A T A L O G

GAMA/ATA CODE & INDEX NO.	PART NO.	1	2	3	4	5	6	7	DESCRIPTION	UNITS PER ASSY	USABLE ON CODE
20-40	60-530139-8	SUPPORT ASSY, SEAT ARMREST.	1	1
- 35	60-530139-14	SUPPORT	1	1
- 36	60-530139-15	DOUBLER	1	1
	60-530139-25	CLIP	2	1
- 37	60-530139-10	PAN ASSY.	1	1
		/ATTACHING PARTS/									
	MS35206-245	SCREW	2	
	AN935-8L	WASHER	2	
	MS35425-19	NUT	2	
		-----*									
	60-530139-27	PAN	1	1
	60-530139-33	CLIP	2	1
	60-530139-11	RELEASE ASSY, ARMREST.	1	1
		/ATTACHING PARTS/									
	AN509-8R7	SCREW	1	
	AN960-8	WASHER	1	
	MS21042-08	NUT	1	
		-----*									
- 38	60-530139-29	HANDLE	1	1
- 39	60-530139-31	SPRING	1	1
- 40	60-530139-17	ARM, ARMREST FWD	1	1
- 41	60-530139-47	ARM, ARMREST AFT	1	1
		/ATTACHING PARTS/									
	AN3-10	BOLT	1	
	AN960-10L	WASHER	1	
	60-530139-23	WASHER	1	
	130909N29	NUT	1	
		-----*									
- 42	60-530139-21	STOP, ARMREST.	1	1
		/ATTACHING PARTS/									
	PK89XA6-11	SCREW	2	
		-----*									
- 43	60-530139-37	STOP.	1	1
		/ATTACHING PARTS/									
	AN509-8R12	SCREW	1	
	AN960-8	WASHER	1	
	MS21042-08	NUT	1	
		-----*									
- 44	50-534547-30	BOLT, LATCH.	1	1
	MS171499	PIN, SPRING STOP	1	1
	NAS77A6-35	BUSHING, LATCH BOLT.	1	1
- 45	60-530139-35	CAP, REAR.	1	1
		/ATTACHING PARTS/									
	NAS384-6P	SCREW	1	
	NAS390-6P	WASHER	1	
		-----*									
- 46	50-534527-5	CAP, FWD	1	1
- 47	50-534536	PLACARD, IDENTIFICATION ARMREST CAP.	1	1
		/ATTACHING PARTS/									
	PK89XA6-6	SCREW	1	
		-----*									
- 48	60-530284-3	TRACK, PASSENGER SEATS OUTBOARD.	2	1
- 49	60-530284-5	TRACK, PASSENGER SEATS INBOARD	2	1
		/ATTACHING PARTS/									
- 50	MS24694S52	SCREW /5 SCREWS ON EACH TRACK/.	5	
- 51	MS27039-1-11	SCREW /1 SCREW AT THE END OF EACH TRACK/.	2	
		-----*									

NOTE SEAT ASSEMBLIES 60-530295-33/5TH SEAT/ &
60-530295-35/6TH SEAT/ WITH SHOULDER RE-
STRAINTS ARE AVAILABLE FOR REPLACEMENT
SEATS. SEE CHAPTER 25-20-41 FOR COMPONENT
PARTS.

CODES OF EFFECTIVITY

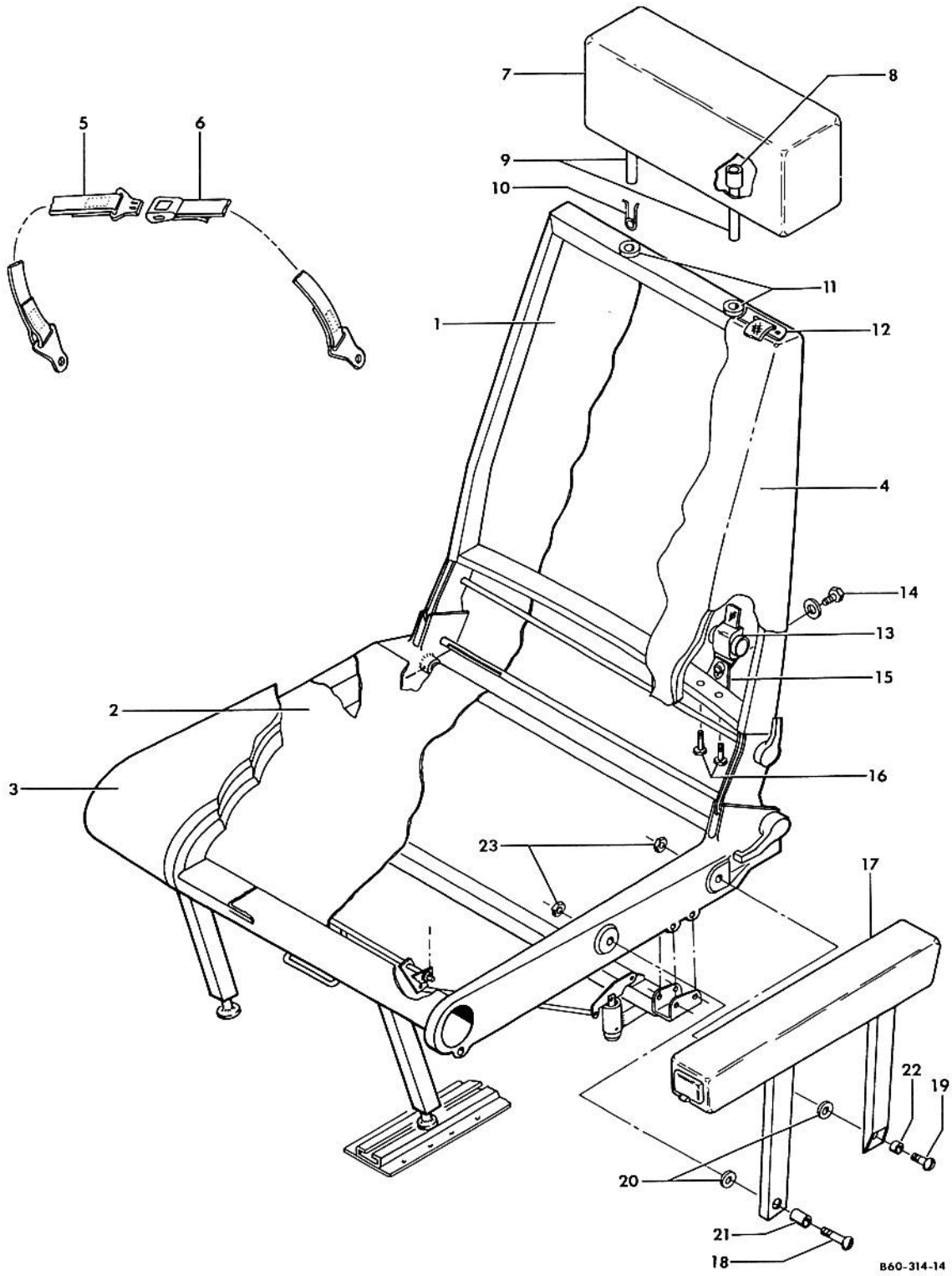
1 P-247 THRU P-388
EXCEPT P-387

END

B E E C H C R A F T
DUKE B60
I L L U S T R A T E D P A R T S C A T A L O G

25-20-41
PASSENGER SEATS
/5TH AND 6TH/
P-387,P-389 THRU P-510
P-512 THRU P-519

BEECHCRAFT
DUKE B60
ILLUSTRATED PARTS CATALOG

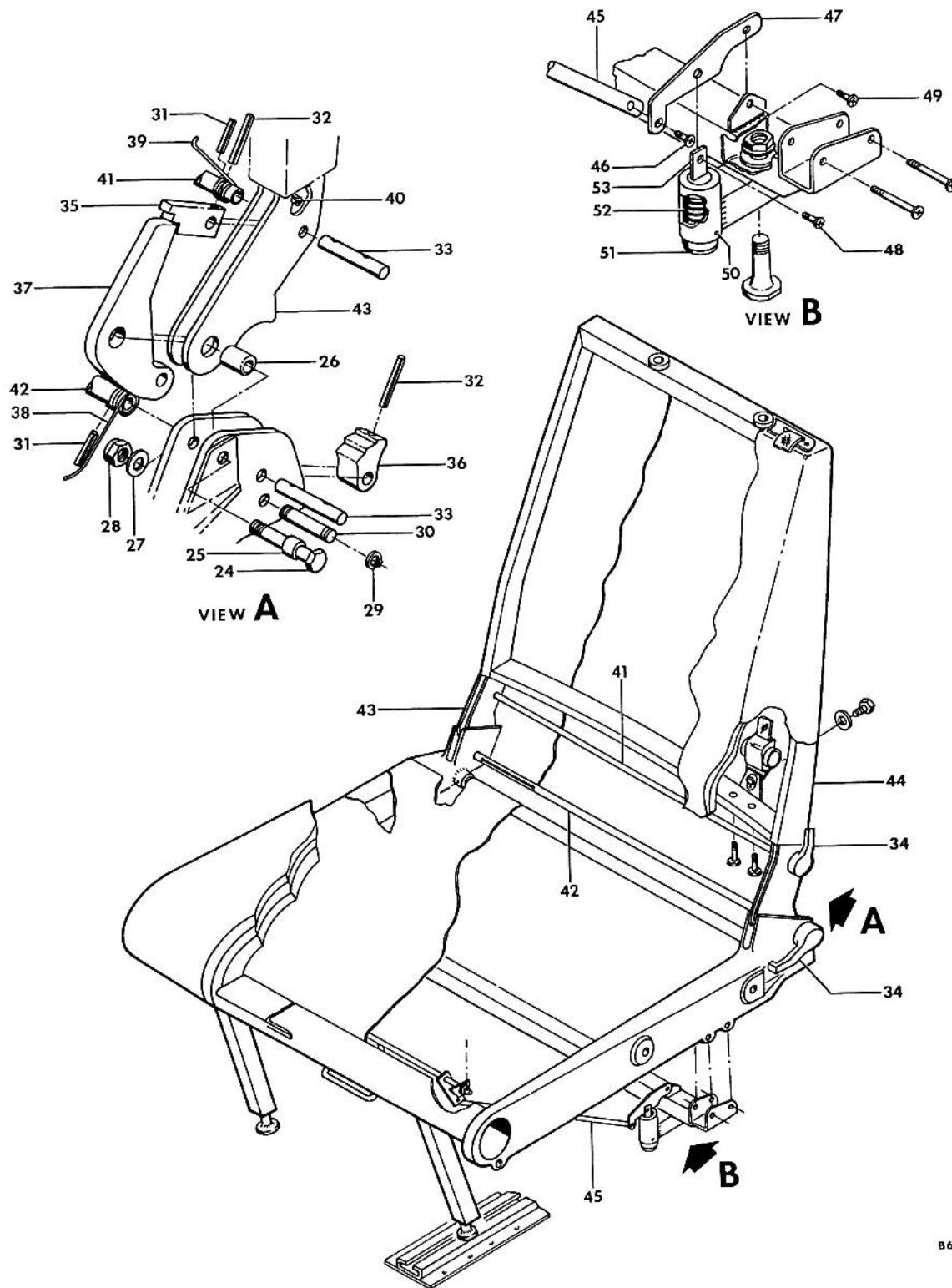


B60-314-14

B E E C H C R A F T
DUKE B60
I L L U S T R A T E D P A R T S C A T A L O G

GAMA/ATA CODE & INDEX NO.	PART NO.	DESCRIPTION							UNITS PER ASSY	USABLE ON CODE
		1	2	3	4	5	6	7		
20-41	60-530295-21	SEAT ASSY,UPHOLSTERED 6TH	1	1
	60-530295-19	SEAT ASSY,UPHOLSTERED 5TH	1	1
- 1	60-530295-23	COVER ASSY,SEAT BACK	1	1
- 2	60-530295-5	COVER ASSY,6TH SEAT BOTTOM	1	2
	60-530295-29	COVER ASSY,6TH SEAT BOTTOM	1	3
	60-530295-6	COVER ASSY,5TH SEAT BOTTOM	1	1
	60-530295-35	SEAT ASSY,UNUPHOLSTERED 6TH	1	1
	60-530295-33	SEAT ASSY,UNUPHOLSTERED 5TH	1	1
- 3	60-530295-9	CUSHION,6TH SEAT BOTTOM	1	2
	60-530295-31	CUSHION,6TH SEAT BOTTOM	1	3
	58-530185-3	CUSHION,5TH SEAT BOTTOM	1	1
- 4	60-530295-27	CUSHION,SEAT BACK	1	1
- 5	58-530219-61	BELT ASSY,SEAT/OUTBOARD/	1	1
- 6	58-530219-29	BELT ASSY,SEAT/INBOARD/	1	1
	60-530287-7	HEADREST ASSY	1	1
- 7	60-530287-5	COVER ASSY,HEADREST	1	1
- 8	58-530120-29	TUBE	2	1
- 9	58-530120-27	FRAME & PAD ASSY	1	1
- 10	131345	SPRING	2	1
- 11	131354-1	MOULDING,HEADREST/ALTERNATE FOR 131354-3/	2	1
	131354-3	MOULDING,HEADREST/ALTERNATE FOR 131354-1/	2	1
- 12	106-530028-2	BRACKET/6TH SEAT/	1	1
	106-530028-1	BRACKET/5TH SEAT/ /ATTACHING PARTS/	1	1
	DHS8SM240-S25GY	SCREW	1	
- 13	58-380071-1	INERTIA REEL ASSY /ATTACHING PARTS/	1	1
- 14	AN5-5A	BOLT	1	
	AN960-516	WASHER	1	
- 15	102-530069-1	BRACKET ASSY,INERTIA REEL /ATTACHING PARTS/	1	1
- 16	MS27039-1-16	SCREW	2	
	AN960-10L	WASHER	2	
	MS21042L3	NUT	2	
	102-530069-3	BRACKET	1	1
	MS21051L5	NUTPLATE	1	1
	101-530305-7	COVER,SHOULDER STRAP	1	1
	101-530305-5	GUIDE,SHOULDER STRAP/BONDED TO BACK SLING/	1	1
	60-530295-25	SLING,SEAT BACK	1	1
	60-530295-13	SLING,SEAT BOTTOM	1	1
- 17	60-530356-7	ARMREST ASSY,STOWABLE/6TH SEAT/ /SEE CHAPTER 25-21-11/	1	3
	60-530139-163	ARMREST ASSY,STOWABLE/6TH SEAT/ /SEE CHAPTER 25-21-10/ /ATTACHING PARTS/	1	2
- 18	AN24-15A	SCREW	1	
- 19	AN-24-10A	SCREW	1	
- 20	50-534547-25	WASHER	2	
- 21	105739SYD0560	SPACER	1	
- 22	105739SYD0205	SPACER	1	
- 23	42ND8-048	NUT	2	

BEECHCRAFT
DUKE B60
ILLUSTRATED PARTS CATALOG

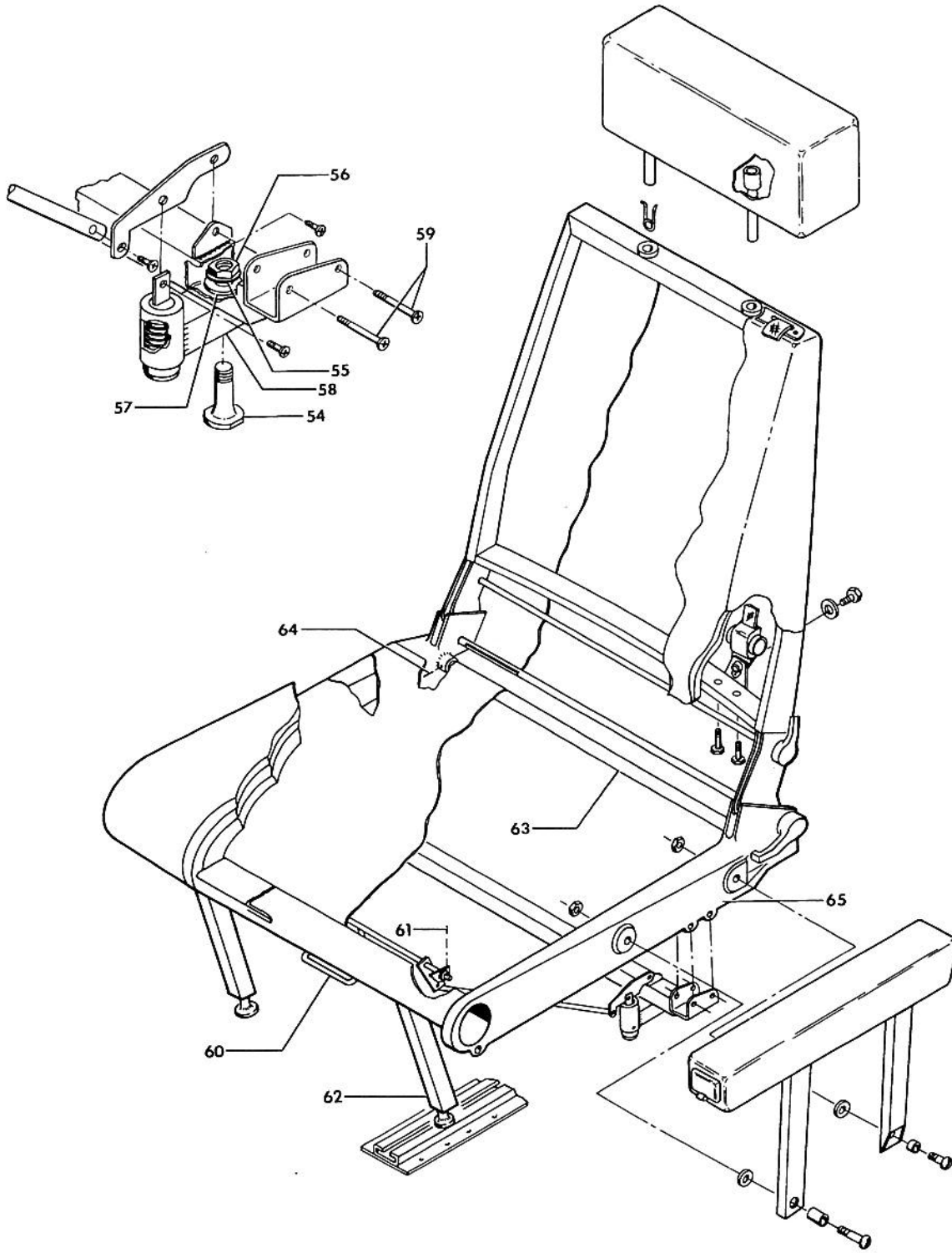


B60-314-15

B E E C H C R A F T
DUKE B60
I L L U S T R A T E D P A R T S C A T A L O G

GAMA/ATA CODE & INDEX NO.	PART NO.	1	2	3	4	5	6	7	DESCRIPTION	UNITS PER ASSY	USABLE ON CODE
20-41	102-530072-4	FRAME ASSY,6TH SEAT	1	1
	102-530072-3	FRAME ASSY,5TH SEAT	1	1
- 24	NAS464P4A19	BOLT.	2	1
- 25	102-530072-21	SPACER.	2	1
- 26	102933D5ZM0290	SPACER.	2	1
- 27	AN960D416	WASHER.	2	1
- 28	22K2-048	NUT,CAP	2	1
- 29	MS16624-1025	RING,RETAINING.	2	1
- 30	102-530098-1	PIN	2	1
- 31	MS171499	PIN,ROLL.	4	1
- 32	MS171504	PIN,ROLL.	4	1
- 33	60-530161-1	PIN	2	1
- 34	58-530045-11	HANDLE ASSY,6TH SEAT.	2	1
	58-530045-12	HANDLE ASSY,5TH SEAT.	2	1
- 35	102-530081-1	CAM	2	4
	102-530081-3	CAM	2	5
- 36	60-530043-7	CAM	2	1
- 37	102-530076-1	STOP.	2	1
- 38	60-530046-2	SPRING,RH LOWER	1	1
	60-530046-1	SPRING,LH LOWER	1	1
- 39	60-530046-4	SPRING,RH UPPER	1	1
	60-530046-3	SPRING,LH UPPER	1	1
- 40	MS171557	PIN,ROLL.	2	1
- 41	102-530072-17	TUBE,UPPER TORQUE	1	1
- 42	102-530072-23	TUBE,LOWER TORQUE	1	1
	60-530334-1	BACK ASSY,SEAT.	1	1
- 43	102-530082-15	SUPPORT ASSY,SEAT BACK LH	1	1
	102-530082-16	SUPPORT ASSY,SEAT BACK RH	1	1
		/ATTACHING PARTS/		
	MS27039-1-21	SCREW	2	
	AN960D10	WASHER.	2	
	MS21083N3	NUT	2	
- 44	60-530334-3	WELD ASSY,SEAT BACK	1	1
	60-530134-81	FRAME ASSY,SEAT BOTTOM.	1	6
	60-530360-1	FRAME ASSY,SEAT BOTTOM.	1	7
- 45	60-530360-11	TUBE,LINK	2	7
	60-530134-41	TUBE,LINK	2	6
		/ATTACHING PARTS/		
- 46	MS27039-0813	SCREW	2	
	AN960-8	WASHER.	2	
	MS21042L08	NUT	2	
- 47	60-530360-13	LINK.	2	7
	60-530134-83	LINK.	2	6
		/ATTACHING PARTS/		
- 48	MS27039-0813	SCREW	1	
- 49	MS27039-0808	SCREW	1	
	AN960-8	WASHER.	2	
	MS21042L08	NUT	2	
- 50	MS171529	PIN,ROLL.	2	1
- 51	115-530069-5	PIN	2	1
- 52	100943CR-ZW104G	SPRING.	2	7
	100943CR-ZW028E	SPRING.	2	6
- 53	60-530360-9	PIN	2	7
	60-530134-25	PIN	2	6

BEECHCRAFT
DUKE B60
ILLUSTRATED PARTS CATALOG



B60-314-16

B E E C H C R A F T
DUKE B60
I L L U S T R A T E D P A R T S C A T A L O G

GAMA/ATA CODE & INDEX NO.	PART NO.	1	2	3	4	5	6	7	DESCRIPTION	UNITS PER ASSY	USABLE ON CODE
20-41 - 54	100-530448-7	FOOT, SEAT	4	7
	100-530448-7	FOOT, SEAT	4	6
- 55	AN960-516	WASHER.	4	1
- 56	MS21042L5	NUT	2	1
- 57	60-530360-35	DOUBLER	2	7
	60-530134-29	DOUBLER	2	6
- 58	60-530360-5	LEG ASSY, AFT/WELDED/.	1	7
	60-530134-5	LEG ASSY, AFT/WELDED/.	1	6
		/ATTACHING PARTS/		
- 59	NAS623-3-20	SCREW	4	
	AN960-10	WASHER.	4	
	MS21042L3	NUT	4	
		*-----*		
- 60	60-530360-7	HANDLE ASSY	1	7
	60-530134-7	HANDLE ASSY	1	6
		/ATTACHING PARTS/		
- 61	MS171435	PIN, ROLL.	2	
	AN960-616	WASHER.	2	
		*-----*		
- 62	60-530360-3	LEG ASSY, FWD/WELDED/.	1	7
	60-530134-3	LEG ASSY, FWD/WELDED/.	1	6
- 63	60-530360-45	TUBE.	1	7
	60-530134-39	TUBE.	1	6
		/ATTACHING PARTS/		
- 64	MS171535	PIN, ROLL.	2	
		*-----*		
- 65	60-530039-23	RAIL, LH SIDE.	1	1
	60-530039-24	RAIL, RH SIDE.	1	1
	60-530284-3	TRACK, SEAT INBD	2	1
	60-430083-255	TRACK ASSY, SEAT OUTBD	2	1
	60-430083-247	STOP.	1	1
	60-530284-11	TRACK, SEAT OUTBD.	1	1

C O D E S O F E F F E C T I V I T Y

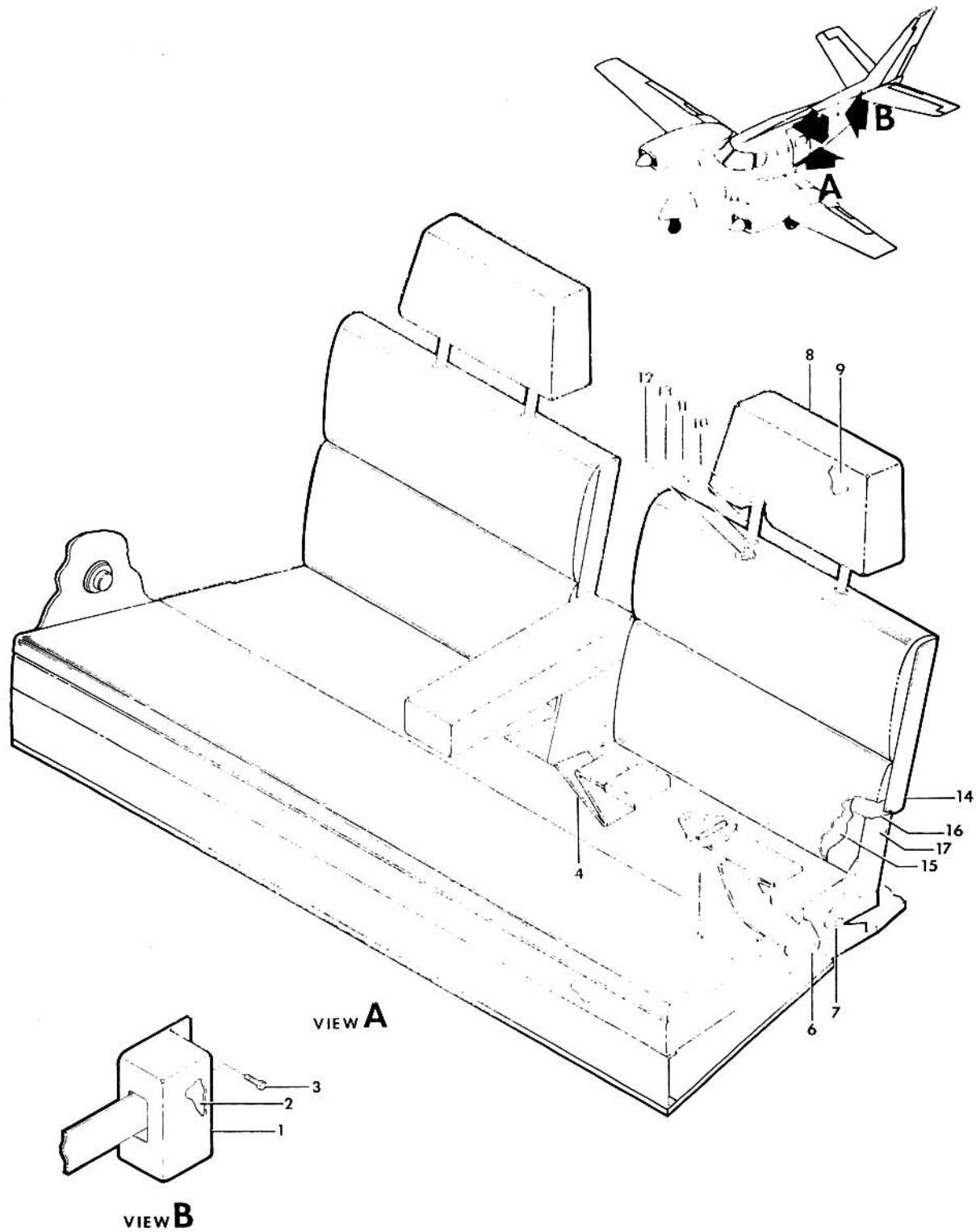
1	P-387, P-389 THRU P-510 P-512 THRU P-519	2	P-387, P-389 THRU P-445
3	P-446 THRU P-510 P-512 THRU P-519	4	P-387, P-389 THRU P-435
5	P-436 THRU P-510 P-512 THRU P-519	6	P-387, P-389 THRU P-462
7	P-463 THRU P-510 P-512 THRU P-519		

"END"

B E E C H C R A F T
DUKE B60
I L L U S T R A T E D P A R T S C A T A L O G

25-20-42
PASSENGER SEATS
/5TH AND 6TH/
P-511,P-520 AND AFTER

BEECHCRAFT
DUKE B60
ILLUSTRATED PARTS CATALOG



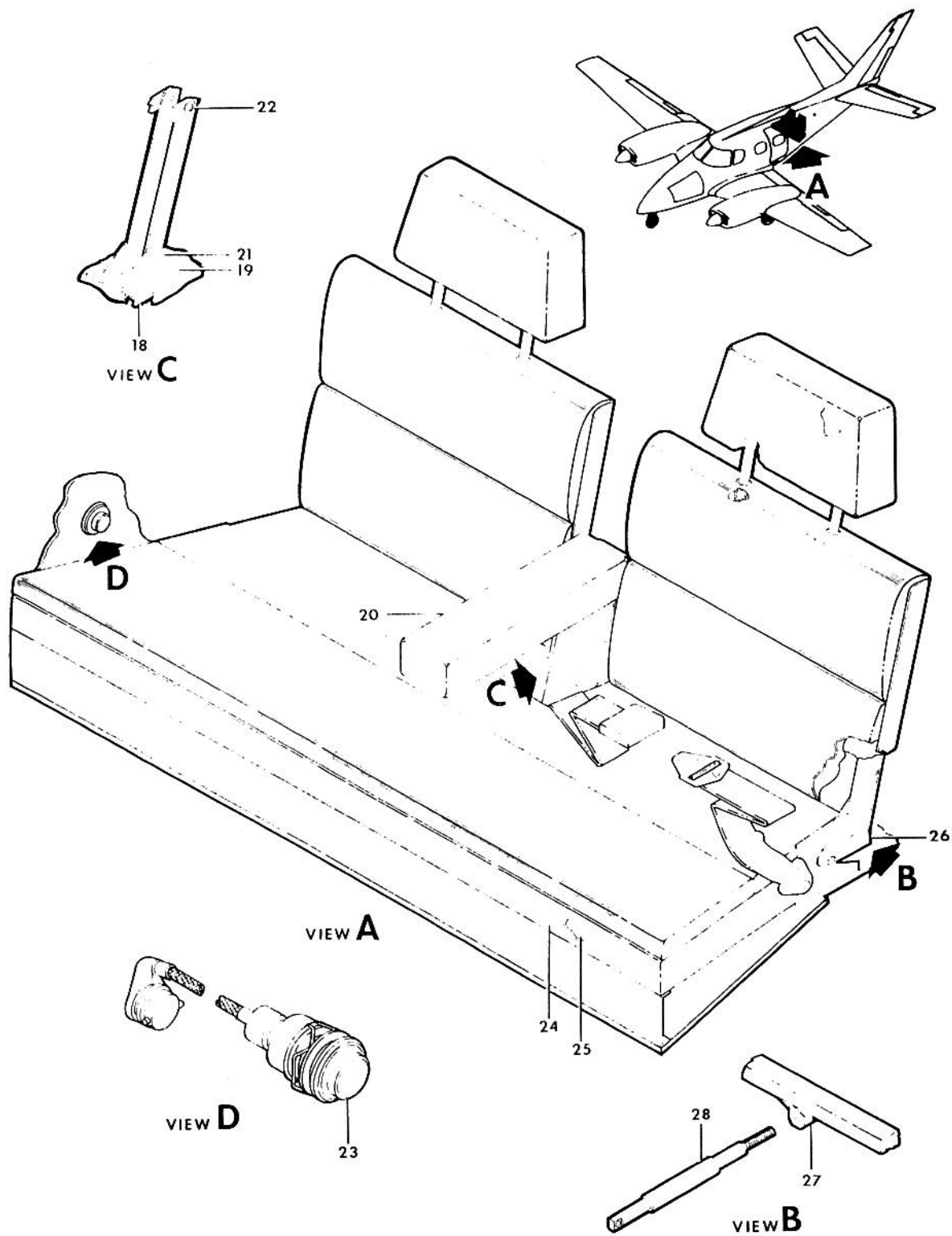
B60-314-19

FIGURE 20-42. PASSENGER SEATS/5TH AND 6TH/
/SHEET 1 OF 2 SHEETS/

B E E C H C R A F T
DUKE B60
I L L U S T R A T E D P A R T S C A T A L O G

GAMA/ATA CODE & INDEX NO.	PART NO.	DESCRIPTION	UNITS							USABLE ON CODE	
			1	2	3	4	5	6	7		PER ASSY
20-42	60-530376-1	SEAT INSTL,UPHOLSTERED/5TH & 6TH/								NP	2
	60-530407-1	SEAT INSTL,UPHOLSTERED/5TH & 6TH/								NP	3
	60-530408-1	SEAT INSTL,UPHOLSTERED/WITH TOILET/ FOR TOILET PROVISIONS SEE CHAPTER 38-30-01									NP
- 1	60-530392-1	. ESCUTCHEON,INERTIAL REEL.								2	1
- 2	58-380071-1	. INERTIAL REEL ASSY,SHOULDER HARNESS /ATTACHING PARTS/								2	1
- 3	AN6-6A AN960-616L MS21044N6	. BOLT. WASHER. NUT								1 1 1	
- 4	101-530604-1	. BELT ASSY,SEAT/INBD/.								2	1
- 5	101-530604-5	. BELT ASSY,SEAT/OUTBD/ /ATTACHING PARTS/								2	1
- 6	130909835 NAS43HT4-16 AN960-416 MS20500-428	. BOLT. SPACER. WASHER. NUT								1 1 2 1	
	50-534733-1	. . PLACARD/BEECH CREST/.								1	1
	60-530376-3	. SEAT BACK ASSY.								2	2
	60-530411-1	. SEAT BACK ASSY,LH								1	3
	60-530411-2	. SEAT BACK ASSY,RH /ATTACHING PARTS/								1	3
- 7	130909841 NAS428-4-13 36-530058-1 AN970-4 100951CR020WB AN960-416 MS21044N4	. BOLT. BOLT. BUSHING WASHER. WASHER. WASHER. NUT								2 2 2 2 2 2 2	2 3
	60-530384-1	. . HEADREST ASSY,UPHOLSTERED								1	2
	60-530413-1	. . HEADREST ASSY,LH.								1	3
	60-530413-2	. . HEADREST ASSY,RH.								1	3
- 8	60-530384-9	. . COVER ASSY,HEADREST								1	2
	60-530413-13	. . COVER ASSY,LH HEADREST.								1	3
	60-530413-14	. . COVER ASSY,RH HEADREST.								1	3
- 9	60-530384-11	. . FRAME & PAD ASSY.								1	2
	60-530413-3	. . PAN ASSY,LH								1	3
	60-530413-4	. . PAN ASSY,RH								1	3
- 10	60-384384-5	. . TUBE,SUPPORT.								1	2
- 11	60-530376-17	. . TUBING.								2	2
	60-530407-15	. . TUBING/SPACER/.								2	3
- 12	131345	. . SPRING.								2	1
- 13	131354-1	. . MOULDING/ALTERNATE FOR 131354-3/.								2	2
	131354-3	. . MOULDING/ALTERNATE FOR 131354-1/.								2	2
	130010-3	. . INSERT/ALTERNATE FOR 130010-5/.								2	3
	130010-5	. . INSERT/ALTERNATE FOR 130010-3/.								2	3
- 14	60-530376-9	. . COVER ASSY,SEAT BACK.								1	2
	60-530411-17	. . COVER ASSY,LH SEAT BACK								1	3
	60-530411-18	. . COVER ASSY,RH SEAT BACK								1	3
- 15	60-530376-13	. . CUSHION/SEAT BACK/.								1	2
	60-530414-1	. . CUSHION,LH SEAT BACK. CUSHION,RH SEAT BACK.								1 1	3
- 16	60-530376-15	. . SLING								1	2
	60-530411-7	. . SLING								1	3
- 17	60-530379-1	. . FRAME ASSY,SEAT BACK.								1	2
	60-530412-1	. . FRAME ASSY,SEAT BACK.								1	3

BEECHCRAFT
DUKE B60
ILLUSTRATED PARTS CATALOG



B60-314-20

FIGURE 20-42. PASSENGER SEATS/5TH AND 6TH/
/SHEET 2 OF 2 SHEETS/

B E E C H C R A F T
DUKE B60
I L L U S T R A T E D P A R T S C A T A L O G

GAMA/ATA CODE & INDEX NO.	PART NO.	DESCRIPTION	UNITS PER ASSY	USABLE ON CODE
20-42 - 18	60-530376-19	• PAN ASSY, ARMREST SUPPORT.	2	2
	60-530399-1	• ARMREST ASSY, 5TH & 6TH SEAT	1	2
	60-530410-3	• ARMREST ASSY, 5TH & 6TH BENCH SEAT.	1	3
		/ATTACHING PARTS/		
- 19	130909B15	• BOLT.	4	2
	MS24694-61	• SCREW	2	3
	NAS42HT6-48	• SPACER.	2	3
	100696YB019	• SPACER.	2	3
	AN960-416	• WASHER.	2	3
	MS21042L3	• NUT	2	3
		↓		
- 20	60-530399-5	• COVER ASSY, ARMREST.	1	2
	60-530410-23	• COVER ASSY, ARMREST.	1	3
	60-530410-5	• PAD ASSY, ARMREST.	1	3
- 21	60-530399-3	• FRAME ASSY, ARMREST.	1	2
		/ATTACHING PARTS/		
- 22	AN23-10A	• BOLT, CLEVIS	2	
	105739SZK-0190	• BUSHING	2	
	AN960C10	• WASHER.	4	
	MS21043-3	• NUT	2	
		↓		
	60-530399-9	• FRAME ASSY, UPPER.	1	2
	60-530399-7	• FRAME ASSY, LOWER.	1	2
	60-530399-15	• SHIM.	2	2
	60-530399-31	• LINK.	2	2
	60-530410-19	• SPACER, ARM SUPPORT.	1	3
	60-530410-21	• STRAP, PULL.	1	3
	60-530410-25	• ARM, ARMREST SUPPORT LH.	1	3
	60-530410-26	• ARM, ARMREST SUPPORT RH.	1	3
		/ATTACHING PARTS/		
	NAS387-1032-12P	• SCREW	2	3
	130010-3	• BUSHING	2	3
		↓		
- 23	Q165-1	• CONTROL ASSY, SEAT RECLINE	2	1
	60-530376-23	• CUSHION ASSY, BOTTOM	1	2
	60-530411-3	• CUSHION ASSY, LH BOTTOM.	1	3
	60-530411-4	• CUSHION ASSY, RH BOTTOM.	1	3
- 24	60-530376-25	• COVER ASSY, SEAT BOTTOM.	1	2
	60-530411-17	• COVER ASSY, LH SEAT BOTTOM	1	3
	60-530411-18	• COVER ASSY, RH SEAT BOTTOM	1	3
- 25	60-530376-27	• CUSHION, SEAT BOTTOM	1	2
	60-530411-13	• CUSHION ASSY, LH BOTTOM.	1	3
	60-530411-14	• CUSHION ASSY, RH BOTTOM.	1	3
	60-530407-3	• PANEL ASSY, SEAT BOTTOM.	1	3
	60-530407-5	• FRAME ASSY, SEAT BOTTOM.	1	3
	60-530400-17	• BRACKET ASSY, SEAT PANEL SUPPORT	2	3
	60-530400-18	• BRACKET ASSY, SEAT PANEL SUPPORT	2	3
	60-530400-21	• BRACKET ASSY, SEAT PANEL SUPPORT REAR.	2	3
- 26	60-530378-1	• BRACKET ASSY, LOWER SEAT BACK.	2	1
		/ATTACHING PARTS/		
	MS20392-3C45	• PIN	1	
	AN960-416	• WASHER.	1	
	MS24665-132	• PIN, COTTER.	1	
		↓		
- 27	60-530385-1	• BRACKET, ROD END/ACTUATOR/	2	1
- 28	60-384084-1	• ACTUATOR ASSY, RECLINE	2	1
		/ATTACHING PARTS/		
	MS20392-3C51	• PIN	1	
	AN960-416	• WASHER.	1	
	MS24665-132	• PIN, COTTER.	1	
	NAS34DD4-28	• SPACER.	2	

CODES OF EFFECTIVITY

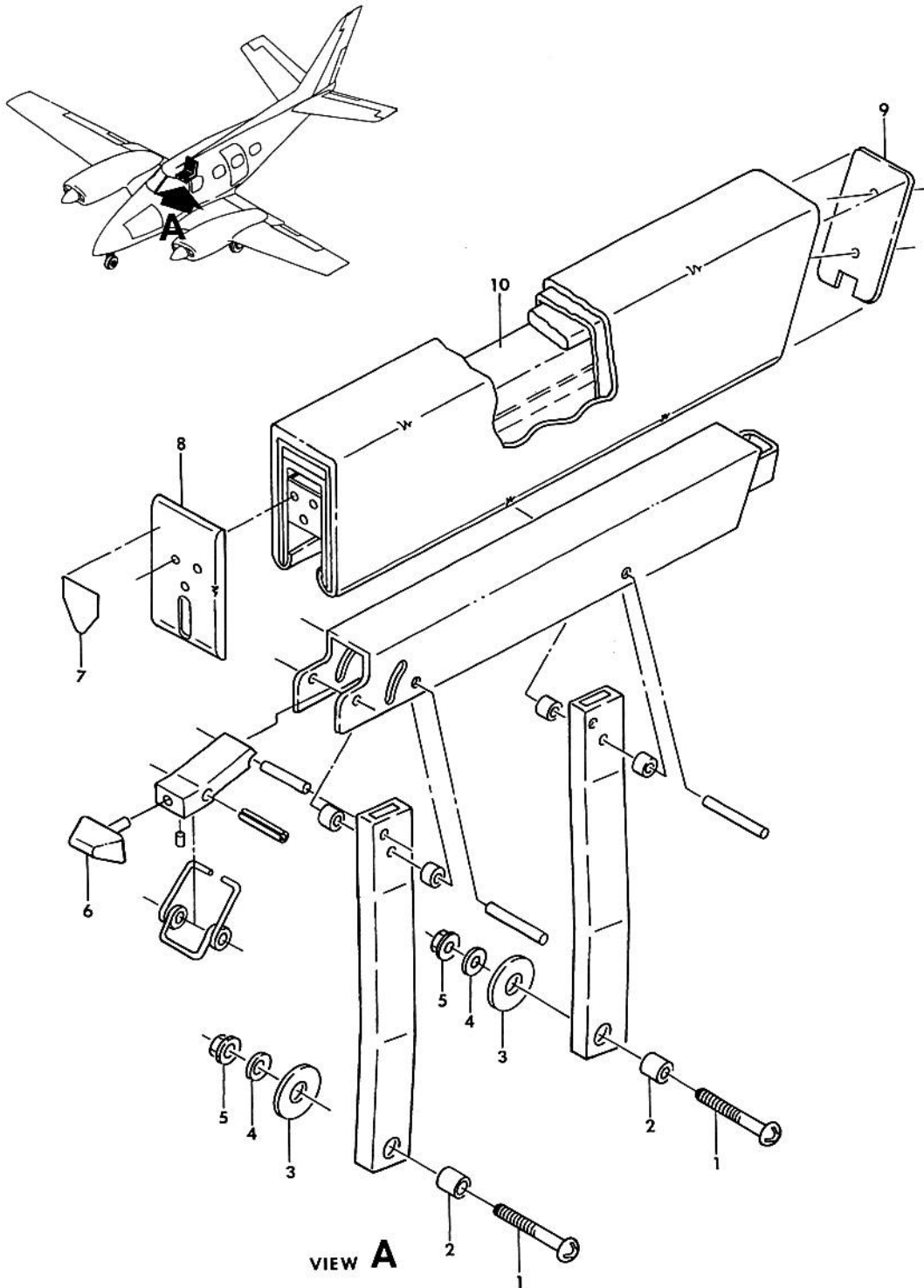
1 P-511,
P-520 AND AFTER 2 P-511,
P-520 THRU P-555
3 P-556 AND AFTER

"END"

BEECHCRAFT
DUKE B60
ILLUSTRATED PARTS CATALOG

25-21-01
ARMREST ASSEMBLY
/3RD AND 4TH SEATS/
P-446 AND AFTER

BEECHCRAFT
DUKE B60
ILLUSTRATED PARTS CATALOG

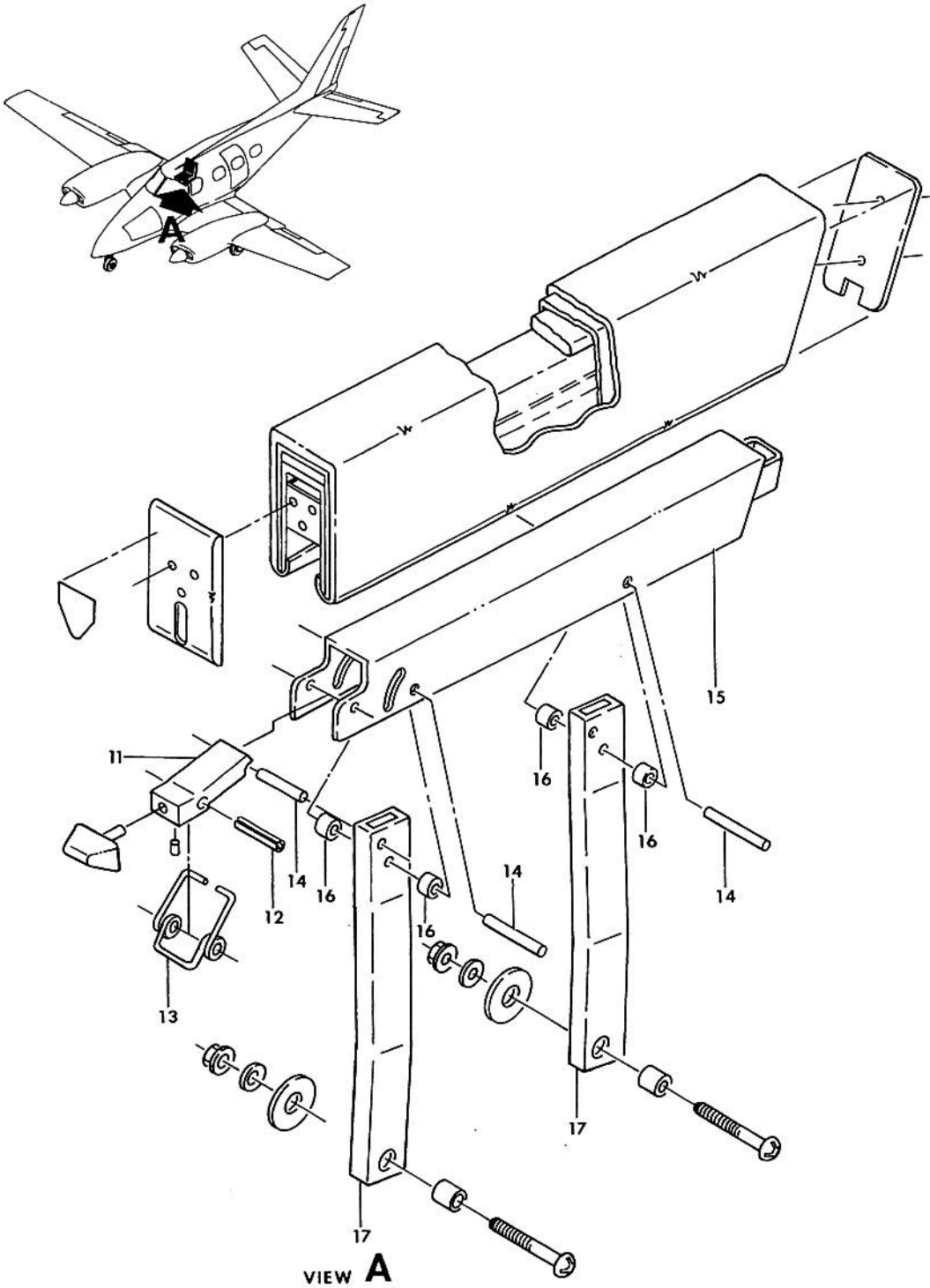


B60-327-2

BEECHCRAFT
DUKE B60
ILLUSTRATED PARTS CATALOG

GAMA/ATA CODE & INDEX NO.	PART NO.	DESCRIPTION	UNITS PER ASSY							USABLE ON CODE		
			1	2	3	4	5	6	7			
21-01	60-530356-1	ARMREST INSTL,STOWABLE/3RD FWD & 4TH AFT FACING								NP	1	
	60-530405-1	ARMREST INSTL,STOWABLE/3RD FWD & 4TH AFT FACING								NP	2	
	60-530356-2	ARMREST INSTL,STOWABLE/4TH FWD & 3RD AFT FACING								NP	1	
	60-530405-2	ARMREST INSTL,STOWABLE/4TH & 3RD AFT FACING/ . .								NP	2	
	60-530356-3	ARMREST INSTL,FIXED/3RD FWD & 4TH AFT FACING/ . .								NP	1	
	60-530406-2	ARMREST INSTL,FIXED/3RD FWD & 4TH AFT FACING/ . .								NP	2	
	60-530356-14	ARMREST INSTL,FIXED/4TH FWD & 3RD AFT FACING/ . .								NP	1	
	60-530406-1	ARMREST INSTL,FIXED/4TH FWD & 3RD AFT FACING/ . .								NP	2	
	60-530356-5	. ARMREST ASSY,STOWABLE/3RD FWD & 4TH AFT/								1	1	
	60-530405-3	. ARMREST ASSY,STOWABLE/3RD FWD & 4TH AFT/								1	2	
	60-530356-6	. ARMREST ASSY,STOWABLE/4TH FWD & 3RD AFT/								1	1	
	60-530405-4	. ARMREST ASSY,STOWABLE/4TH & 3RD AFT/								1	2	
	60-530356-15	. ARMREST ASSY,FIXED 3RD FWD & 4 AFT FACING/								1	1	
	60-530406-4	. ARMREST ASSY,FIXED/3RD FWD & 4TH AFT/								1	2	
	60-530356-16	. ARMREST ASSY,FIXED/4TH FWD & 3RD AFT FACING								1	1	
	60-530406-3	. ARMREST ASSY,FIXED/4TH FWD & 3RD AFT/								1	2	
			/ATTACHING PARTS/									
	- 1	AN24-15A	. BOLT.								2	
	- 2	105739SYD0560	. SPACER.								2	1
		105739SYD0590	. SPACER.								2	2
- 3	50-534547-25	. WASHER.								2		
- 4	AN960-416	. WASHER.								2		
- 5	42ND8-048	. NUT								2		
- 6	60-530365-9	. . HANDLE ASSY,STOWABLE ARMREST.								1	1	
		/ATTACHING PARTS/										
	MS51021-42	. . SCREW,SET								1		
- 7	50-534536-3	. . EMBLEM,BEECH CREST.								1	3	
- 8	60-530352-7	. . CAP,FRONT END/STOWABLE ARMREST/								1	1	
	60-530352-9	. . CAP,FRONT END/FIXED ARMREST/								1	1	
	60-530403-1	. . CAP,FRONT/FIXED & STOWABLE ARMREST/								1	2	
		/ATTACHING PARTS/										
	MS21207-8-8	. . SCREW								3		
- 9	60-530356-19	. . CAP ASSY,AFT END.								1	1	
	60-530404-1	. . CAP,AFT/FIXED & STOWABLE ARMREST/								1	2	
		/ATTACHING PARTS/										
	NAS384-8-8P	. . SCREW								2	1	
	NAS391S8P	. . WASHER.								2	1	
	NAS384-10-8P	. . SCREW								2	2	
- 10	60-530354-1	. . SADDLE ASSY								1	1	
	60-530350-5	. . SADDLE.								1	2	
		/ATTACHING PARTS/										
	MS24617-21	. . SCREW								4	1	
	MS27039-1-09	. . SCREW								2	2	

BEECHCRAFT
DUKE B60
ILLUSTRATED PARTS CATALOG



860-327-3

BEECHCRAFT
DUKE B60
ILLUSTRATED PARTS CATALOG

GAMA/ATA CODE & INDEX NO.	PART NO.	DESCRIPTION							UNITS PER ASSY	USABLE ON CODE
		1	2	3	4	5	6	7		
21-01	60-530356-9	.	.	SUPPORT ASSY,STOWABLE ARMREST/3RD FWD &	.	.	.	1	1	
	60-530356-10	.	.	SUPPORT ASSY,STOWABLE ARMREST/4TH FWD &	.	.	.	1	1	
	60-530356-17	.	.	SUPPORT ASSY,FIXED ARMREST/3RD FWD &	.	.	.	1	1	
	60-530356-18	.	.	SUPPORT ASSY,FIXED ARMREST/4TH FWD &	.	.	.	1	1	
- 11	60-530351-1	.	.	ACTUATOR,STOWABLE ARMREST	.	.	.	1	1	
- 12	102809A1875-109	.	.	PIN	.	.	.	1		
- 13	60-530348-1	.	.	SPRING,STOWABLE ARMREST	.	.	.	1	1	
- 14	102809A1875-109	.	.	PIN	.	.	.	3	1	
- 15	60-530346-1	.	.	CHANNEL ASSY,STOWABLE ARMREST	.	.	.	1	1	
	60-530363-5	.	.	CHANNEL ASSY,FIXED ARMREST	.	.	.	1	1	
- 16	NAS43DD3-15	.	.	SPACER	.	.	.	AR	1	
- 17	60-530349-5	.	.	LEG,LH ARMREST SUPPORT/STOWABLE OR FIXED/	.	.	.	2	1	
	60-530349-6	.	.	LEG,RH ARMREST SUPPORT/STOWABLE OR FIXED/	.	.	.	2	1	
	60-53042-17	.	.	BRACKET,FWD SUPPORT	.	.	.	1	2	
	60-530402-7	.	.	BRACKET,AFT SUPPORT	.	.	.	1	2	
	60-530406-5	.	.	WELD ASSY,LEG LH/FIXED/	.	.	.	1	2	
	60-530406-6	.	.	WELD ASSY,LEG RH/FIXED/	.	.	.	1	2	
	106-530063-71	.	.	FRAME,ARMREST/STOWABLE/	.	.	.	1	2	
	MS9048-108	.	.	PIN,ARMREST/STOWABLE/	.	.	.	1	2	
	102809A375-112	.	.	PIN,ARMREST/STOWABLE/	.	.	.	2	2	
	100951N125YM	.	.	WASHER/STOWABLE/	.	.	.	4	2	
	60-530405-5	.	.	LEG,LH FWD/STOWABLE/	.	.	.	1	2	
	60-530405-6	.	.	LEG,RH FWD/STOWABLE/	.	.	.	1	2	
	60-530405-7	.	.	LEG,LH & RH AFT/STOWABLE/	.	.	.	1	2	

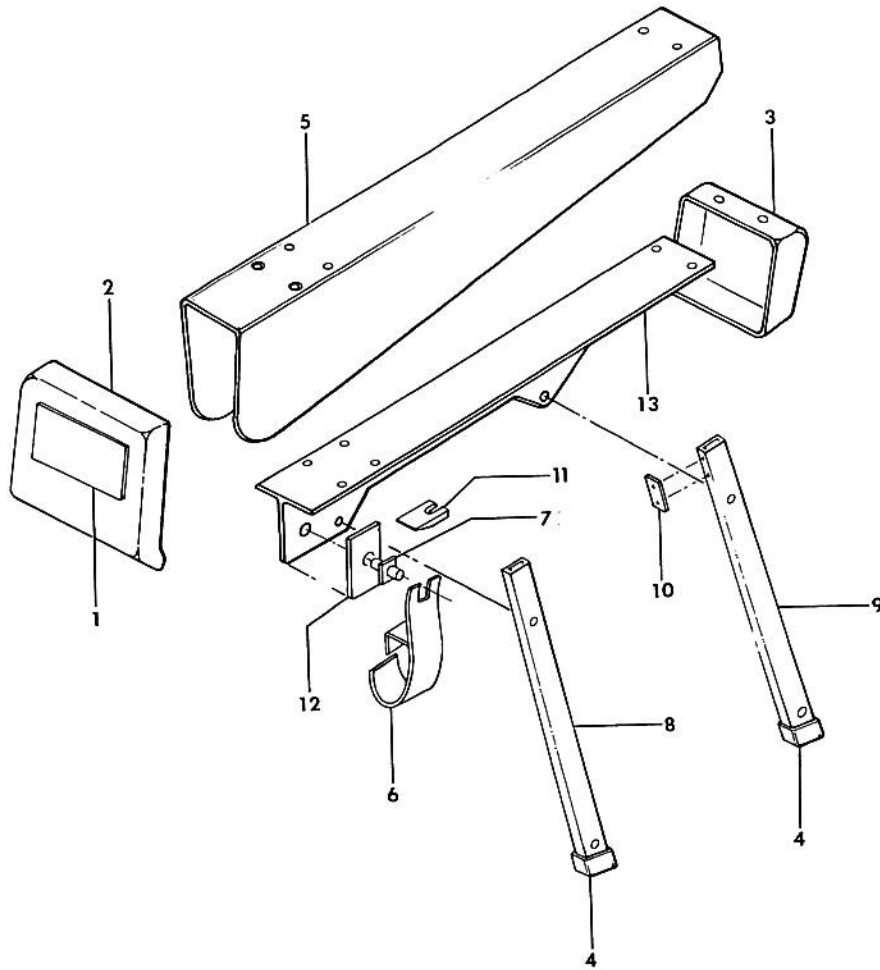
CODES OF EFFECTIVITY

1 P-466 THRU P-555 2 P-556 AND AFTER
3 P-446 AND AFTER

BEECHCRAFT
DUKE B60
ILLUSTRATED PARTS CATALOG

25-21-10
STOWABLE ARMREST ASSEMBLY
/5TH AND 6TH SEATS/
P-387,P-389 THRU P-445

BEECHCRAFT
DUKE B60
ILLUSTRATED PARTS CATALOG



B60-327-1

B E E C H C R A F T
DUKE B60
I L L U S T R A T E D P A R T S C A T A L O G

GAMA/ATA CODE & INDEX NO.	PART NO.	DESCRIPTION	UNITS PER ASSY	USABLE ON CODE
		1 2 3 4 5 6 7		
21-10	60-530139-163	ARMREST ASSY,UPHOLSTERED STOWABLE/6TH SEAT/ /ATTACHING PARTS/	1	1
	AN24-15A	BOLT,FWD.	1	
	AN24-10A	BOLT,AFT.	1	
	105739SYD0560	SPACER,FWD.	1	
	105739SYD0205	SPACER,AFT.	1	
	50-534547-25	WASHER.	2	
	42ND8-048	NUT	2	
- 1	50-534536	. DECAL	1	1
- 2	50-534527-5	. CAP,ARMREST FWD /ATTACHING PARTS/	1	1
	PK89XAG-6	. SCREW	2	
- 3	60-530139-35	. CAP,ARMREST AFT /ATTACHING PARTS/	1	1
	NAS384-6P	. SCREW	2	
	NAS390-6P	. WASHER.	2	
- 4	99-530073-15	. COVER,LEG TIP	2	1
	60-530139-39	. COVER ASSY,ARMREST.	1	1
	60-530139-165	. FRAME ASSY,ARMREST.	1	1
- 5	60-530139-10	. PAN ASSY. /ATTACHING PARTS/	1	1
	AN515-8R4	. SCREW	2	
	AN935-8L	. WASHER.	2	
	AN960PD8	. WASHER.	2	
- 6	60-530139-11	. RELEASE ASSY. /ATTACHING PARTS/	1	1
	AN509-8R7	. SCREW	1	
	AN960-8	. WASHER.	1	
	MS21042L08	. NUT	1	
- 7	50-534547-30	. LATCH-BOLT.	1	1
	MS171499	. PIN,ROLL.	1	1
	NAS77A6-35	. BUSHING	1	1
- 8	60-530139-17	. ARM,FWD	1	1
- 9	60-530139-143	. ARM,AFT /ATTACHING PARTS/	1	1
	130909B20	. BOLT.	1	
	60-530139-23	. WASHER.	1	
	AN960-10L	. WASHER.	1	
	MS21042L3	. NUT	1	
- 10	1343	. BUMPER. /ATTACHING PARTS/	1	1
	MS35206-236	. SCREW	1	
	100951DD016ZC	. WASHER.	1	
	MS21042-06	. NUT	1	
- 11	60-530139-37	. STOP.	1	1
	60-530139-8	. SUPPORT ASSY.	1	1
- 12	60-530139-15	. DOUBLER	1	1
	60-530139-25	. CLIP.	2	1
- 13	60-530139-14	. SUPPORT	1	1

CODES OF EFFECTIVITY

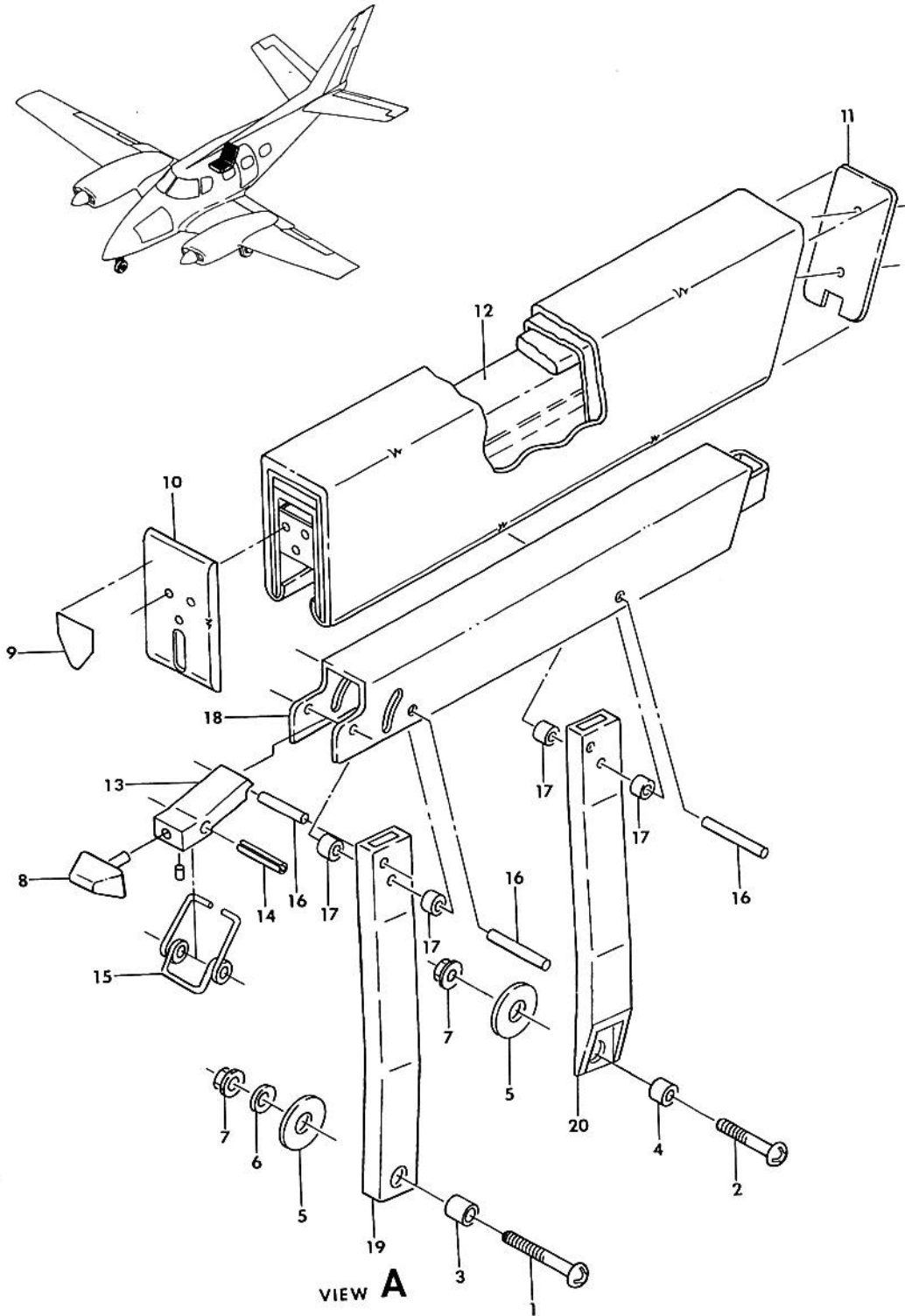
1 P-387,
P-389 THRU P-445

"END"

BEECHCRAFT
DUKE B60
ILLUSTRATED PARTS CATALOG

25-21-11
STOWABLE ARMREST ASSEMBLY
/5TH AND 6TH SEATS/
P-446 THRU P-510 AND P-512 THRU P-519

BEECHCRAFT
DUKE B60
ILLUSTRATED PARTS CATALOG



B60-327-4

BEECHCRAFT
DUKE B60
ILLUSTRATED PARTS CATALOG

GAMA/ATA CODE & INDEX NO.	PART NO.	DESCRIPTION	UNITS PER ASSY	USABLE ON CODE
21-11	60-530356-3	ARMREST INSTL,STOWABLE/5TH & 6TH SEAT/	NP	1
	60-530356-7	• ARMREST ASSY,STOWABLE	1	1
		• /ATTACHING PARTS/		
- 1	AN24-15A	• BOLT,FWD	1	
- 2	AN24-10A	• BOLT,AFT	1	
- 3	105739SYD0560	• SPACER,FWD	1	
- 4	105739SYD0205	• SPACER,AFT	1	
- 5	50-534547-25	• WASHER	2	
- 6	AN960-416	• WASHER	1	
- 7	42ND8-048	• NUT	2	
		-----*		
- 8	60-530365-9	• HANDLE ASSY	1	1
		• /ATTACHING PARTS/		
	MS51021-42	• SCREW,SET	1	
		-----*		
- 9	50-534536-3	• EMBLEM,BEECH CREST	1	1
- 10	60-530352-7	• CAP,FWD END	1	1
		• /ATTACHING PARTS/		
	MS21207-8-8	• SCREW	3	
		-----*		
- 11	60-530356-19	• CAP ASSY,AFT END	1	1
		• /ATTACHING PARTS/		
	NAS384-8-8P	• SCREW	2	
	NAS391S8P	• WASHER	2	
		-----*		
- 12	60-530354-1	• SADDLE ASSY	1	1
		• /ATTACHING PARTS/		
	MS24617-21	• SCREW	4	
		-----*		
- 13	60-530356-11	• SUPPORT ASSY	1	1
	60-530351-1	• ACTUATOR	1	1
		• /ATTACHING PARTS/		
- 14	102809A1875-109	• PIN	1	
		-----*		
- 15	60-530348-1	• SPRING	1	1
- 16	102809A1875-109	• PIN	3	1
- 17	NAS430D3-15	• SPACER	4	1
- 18	60-530346-1	• CHANNEL ASSY	1	1
- 19	60-530349-5	• LEG,FWD SUPPORT	1	1
- 20	60-530349-7	• LEG,AFT SUPPORT	1	1

NOTE SEE CHAPTER 25-20-42 FOR STOWABLE ARMREST
ASSY/5TH AND 6TH SEAT/USED ON AIRCRAFT
SERIALS P-511,P-520 AND AFTER.

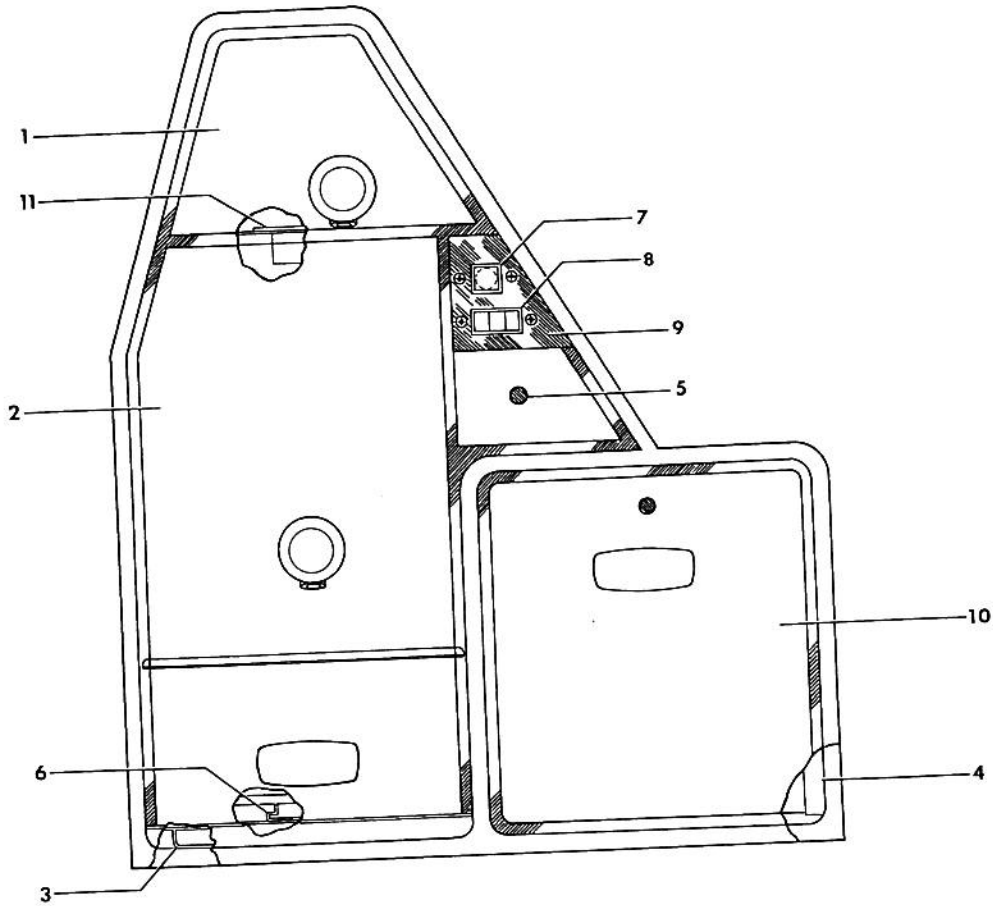
CODES OF EFFECTIVITY

1 P-446 THRU P-510
P-512 THRU P-519

BEECHCRAFT
DUKE B60
ILLUSTRATED PARTS CATALOG

25-22-01
REFRESHMENT CABINET

BEECHCRAFT
DUKE B60
ILLUSTRATED PARTS CATALOG



B60-324-7

B E E C H C R A F T
DUKE B60
I L L U S T R A T E D P A R T S C A T A L O G

GAMA/ATA CODE & INDEX NO.	PART NO.	DESCRIPTION							UNITS PER ASSY	USABLE ON CODE	
		1	2	3	4	5	6	7			
22-01	60-530163-7	REFRESHMENT CABINET INSTL/WITH MAPCO/	NP	1	
	60-530163-9	REFRESHMENT CABINET INSTL	NP	1	
	60-530326-1	REFRESHMENT CABINET INSTL	NP	2	
	60-530326-3	REFRESHMENT CABINET INSTL/WITH MAPCO/	NP	2	
	60-530326-5	REFRESHMENT CABINET INSTL	NP	3	
	60-530326-7	REFRESHMENT CABINET INSTL/WITH MAPCO/	NP	3	
	60-384051-7	. CABINET ASSY/WITH MAPCO/.	1	1	
	60-384051-9	. CABINET ASSY.	1	1	
	60-384077-1	. CABINET ASSY/WITH MAPCO/.	1	2	
	60-384077-3	. CABINET ASSY/WITH VACUUM BOTTLE/.	1	2	
	8427-1	. CABINET ASSY/WITH MAPCO/.	1	3	
	8428-1	. CABINET ASSY/WITH THERMOS AND ICE/.	1	3	
		/ATTACHING PARTS/									
		MS27039-1-12	. SCREW	3	1
		130909816	. BOLT.	1	1
		130909816	. BOLT.	4	3
		AN970-3	. WASHER.	4	3

	- 1	A033-1	. . WATER TANK.	1	3
	- 2	306-146B	. . MAPCO	1	3
- 3	5018-1	. . DRIP PAN.	1	3	
	CA16707	. . CANNON CONNECTOR.	1	3	
	3081	. . MAPCO RECEPTICAL MOUNT.	1	3	
	18003	. . TERM BLOCK.	1	3	
- 4	328-12	. . ROLLER SLIDE.	2	3	
- 5	AR170-3	. . ADAM RITE LATCH	3	3	
- 6	STD	. . NYLON SLIDE	1	3	
- 7	3060D3-48PSB	. . INDICATOR LIGHT	1	3	
- 8	20TC2-BA-5	. . CIRCUIT BREAKER	1	3	
- 9	3096	. . MAPCO SWITCH MODULE	1	3	
- 10	GO 78-1	. . ICE CHEST	1	3	
- 11	STD	. . TUTCH LATCH	1	3	
	60-530147-7	. PLATE ASSY.	4	4	
	NAS1031-P3	. . NUTPLATE.	4	4	
	60-530147-9	. PLATE	4	4	
	L-18366-3	. SWITCH.	1	3	
	S-6234	. LIGHT ASSY.	1	3	

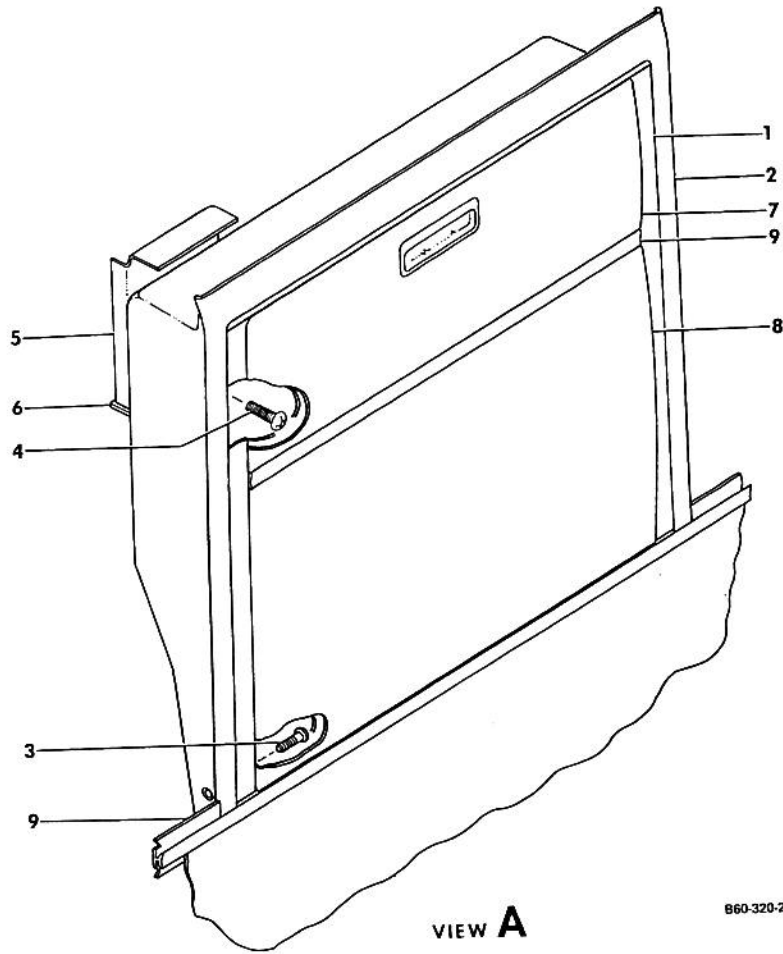
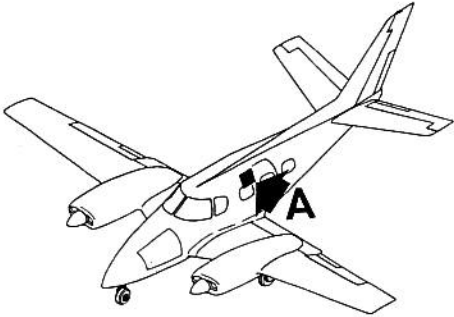
CODES OF EFFECTIVITY

1 P-247 THRU P-309	2 P-310 THRU P-386
3 P-387 AND AFTER	4 P-247 AND AFTER

BEECHCRAFT
DUKE B60
ILLUSTRATED PARTS CATALOG

25-25-01
FOLDAWAY TABLE/OPTIONAL/

BEECHCRAFT
DUKE B60
ILLUSTRATED PARTS CATALOG



B E E C H C R A F T
DUKE B60
I L L U S T R A T E D P A R T S C A T A L O G

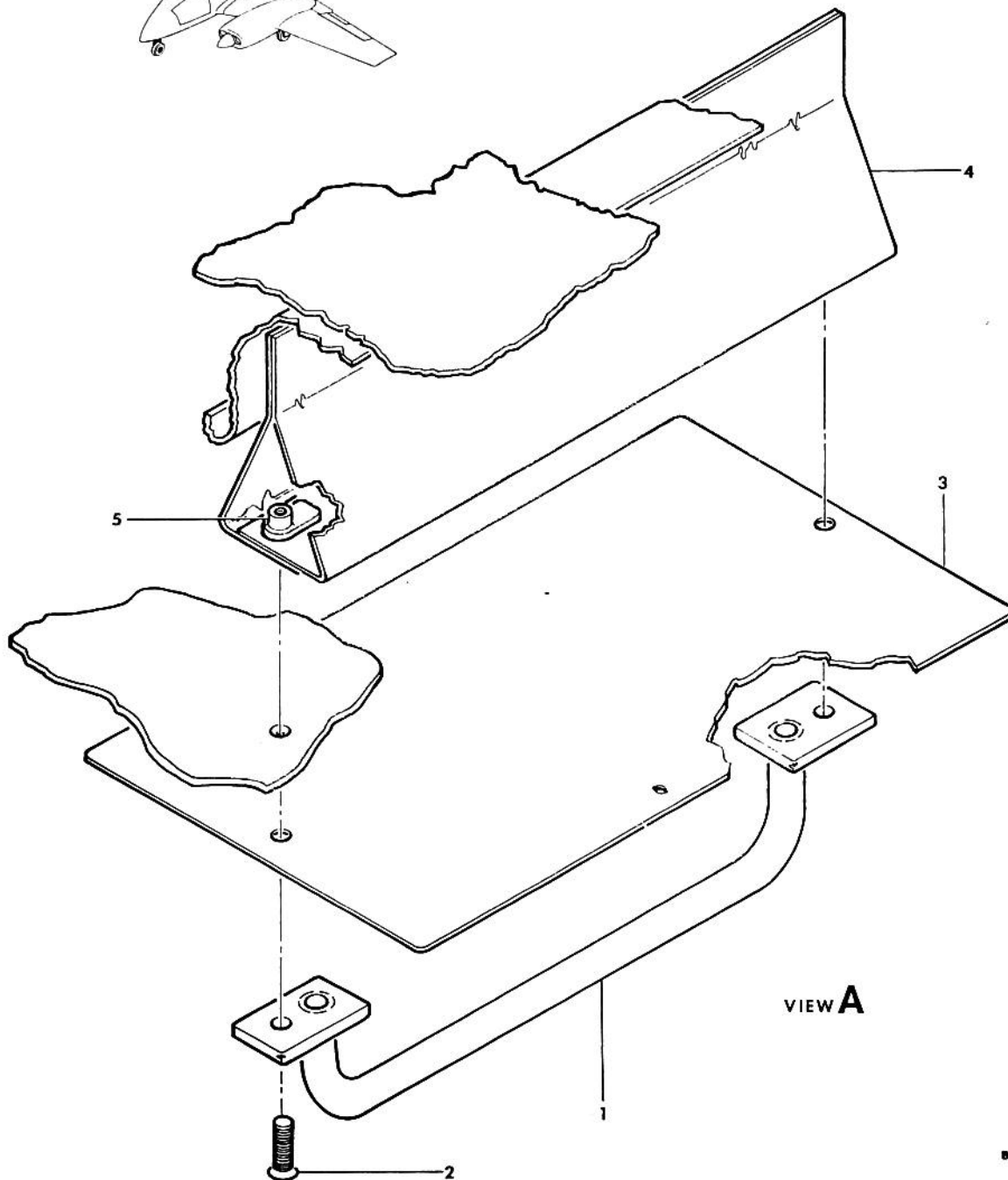
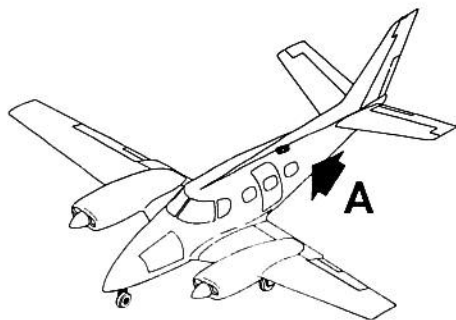
GAMA/ATA CODE & INDEX NO.	PART NO.	DESCRIPTION							UNITS PER ASSY	USABLE ON CODE
		1	2	3	4	5	6	7		
25-01 - 1	60-384076-1	TABLE ASSY/W/O U.S. MAP/	1	
	60-384076-13	TABLE ASSY/WITH U.S. MAP/	1	
- 2	60-530269-285	PAN	1	
		/ATTACHING PARTS/								
- 3	MS24694A11	SCREW	2	
	102933D3ZU0425	SPACER	2	
- 4	NAS1329A08K75	RIVNUT	2	
	NAS387-1032-12P	SCREW	2	
	NAS390S10P	WASHER	2	
	NAS1329A3K80	RIVNUT	2	

- 5	60-530269-231	BRACKET,LH.	1	
	60-530269-233	BRACKET,RH.	1	
- 6	60-530269-235	BRACKET,LH.	1	
	60-530269-239	BRACKET,RH.	1	
- 7	60-530269-289	PANEL ASSY/UPHOLSTERED/	1	
	60-530269-291	. PANEL/AL CLAD SHEET/	1	
	49338-2	. STUD,MOUNT.	2	
- 8	60-530269-293	PANEL ASSY/UPHOLSTERED/	1	
	60-530269-295	. PANEL/AL CLAD SHEET/	1	
	49338-2	. STUD,MOUNT.	4	
- 9	60-530269-287	TRIM STRIP.	1	
		/ATTACHING PARTS/								
	AN550-5R3	SCREW	4	

BEECHCRAFT
DUKE B60
ILLUSTRATED PARTS CATALOG

25-50-01
COAT HANGAR ROD INSTALLATION/OPT/

BEECHCRAFT
DUKE B60
ILLUSTRATED PARTS CATALOG



B 60-324-19

B E E C H C R A F T
DUKE 860
I L L U S T R A T E D P A R T S C A T A L O G

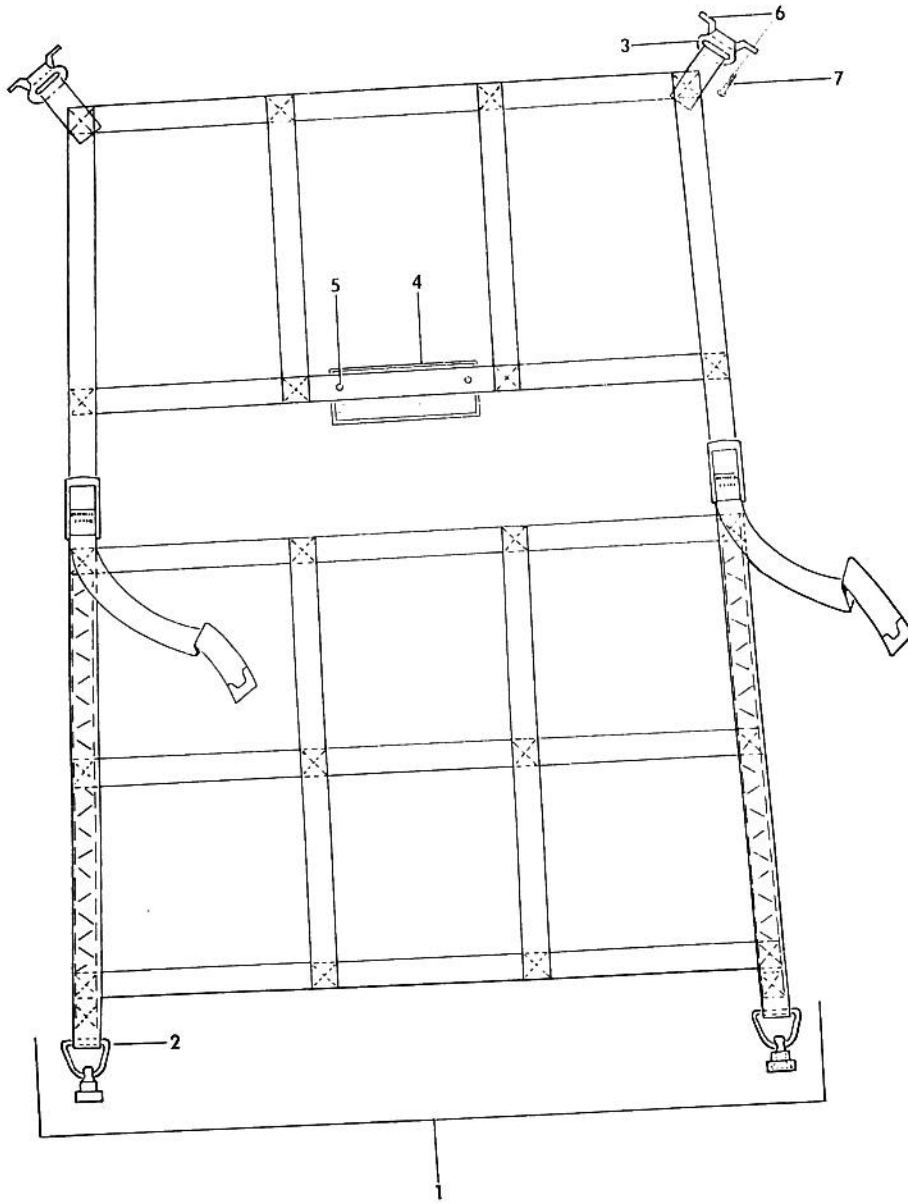
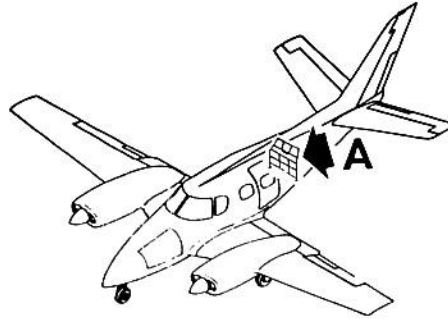
GAMA/ATA CODE & INDEX NO.	PART NO.	DESCRIPTION	UNITS PER ASSY	USABLE ON CODE
		1 2 3 4 5 6 7		
50-01	60-530120-1	ROD INSTL, COAT HANGAR	NP	
- 1	60-530120-7	. ROD ASSY.	1	
		/ATTACHING PARTS/		
- 2	AN510PB8R8	. SCREW	2	
		↓		
- 3	60-530120-13	. PROTECTOR	1	
- 4	60-530120-23	. ANGLE ASSY.	2	
- 5	MK4000-08	. NUT	2	

NOTE THIS COAT HANGAR ROD INSTALLATION MAY
ALSO BE USED WITH BENCH SEAT TOILET
INSTALLATION. SEE CHAPTER 38-30-01.

BEECHCRAFT
DUKE B60
ILLUSTRATED PARTS CATALOG

25-50-05
BAGGAGE WEB

BEECHCRAFT
DUKE B60
ILLUSTRATED PARTS CATALOG

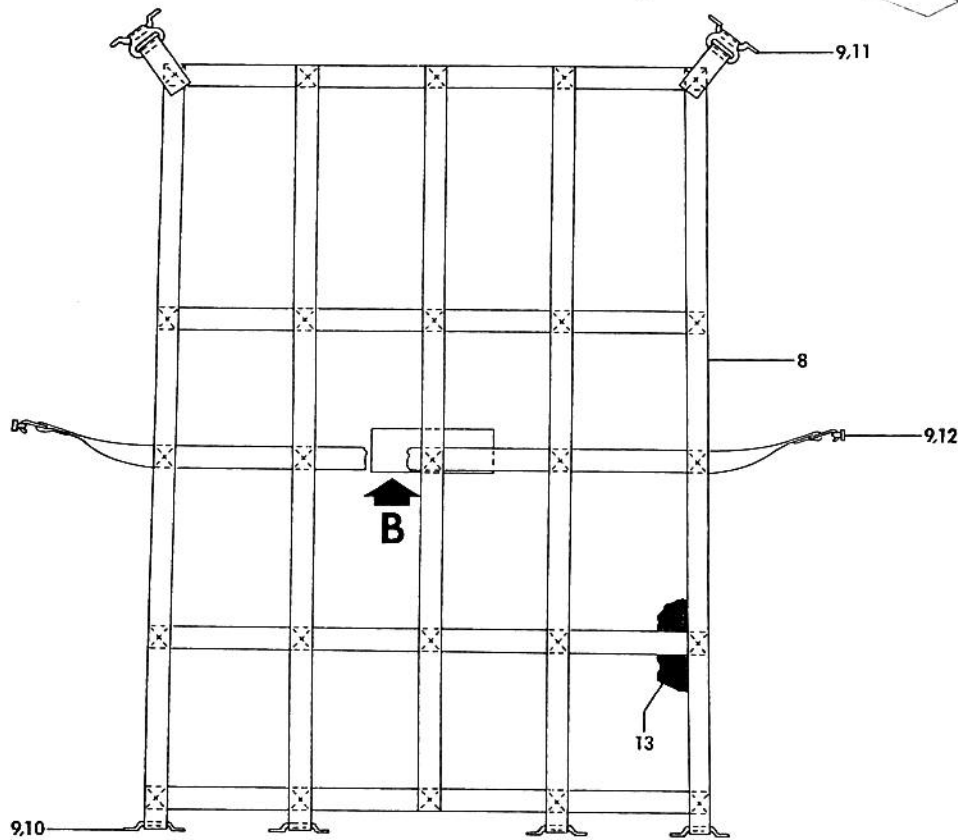
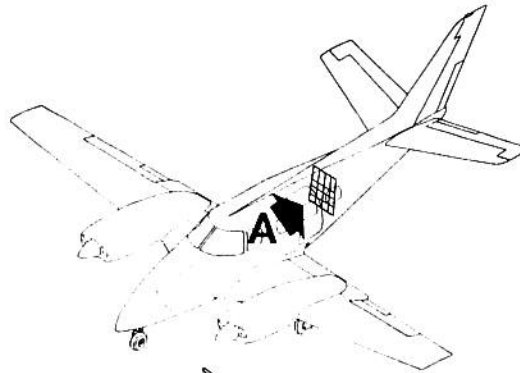


B60-324-6

B E E C H C R A F T
DUKE B60
I L L U S T R A T E D P A R T S C A T A L O G

GAMA/ATA CODE & INDEX NO.	PART NO.	DESCRIPTION							UNITS PER ASSY	USABLE ON CODE
		1	2	3	4	5	6	7		
50-05	60-530145-37	WEB	INSTL,	BAGGAGE	TIE	DOWN.	.	.	NP	1
			/OPT	SEATING/STA	242/					
- 1	60-530145-39	.	WEB	ASSY,	BAGGAGE	/COMPLETE/	.	.	1	1
- 2	11251-10	.	FITTING,	TRACK	TIE	DOWN.	.	.	2	1
- 3	231177-1	.	HOOK.	2	1
- 4	60-530303-1	.	PLACARD,	1	1
			/ATTACHING	PARTS/						
- 5	NAS384-6-10P	.	SCREW	2	
			↓							
- 6	6411B	.	LOOP,	FOOTMAN	2	1
			/ATTACHING	PARTS/						
- 7	NAS514P1032-10	.	SCREW	4	
			↓							
	1240	.	ELASTIC/3/4	WIDE/	AR	1

BEECHCRAFT
DUKE B60
ILLUSTRATED PARTS CATALOG



VIEW A



VIEW B

B60-324-18

B E E C H C R A F T
DUKE B60
I L L U S T R A T E D P A R T S C A T A L O G

GAMA/ATA CODE & INDEX NO.	PART NO.	DESCRIPTION	UNITS PER ASSY	USABLE ON CODE		
					1	2
50-05	60-530393-1	WEB INSTL,BAGGAGE TIE DOWN.	NP	2		
		/OPT SEATING/STA 242/				
- 8	60-530393-3	. WEB ASSY,BAGGAGE/COMPLETE/.	1	2		
	231177-1	. . HOOK.	2	2		
- 9	6411B	. LOOP,FOOTMAN.	8	2		
		/ATTACHING PARTS/				
- 10	MS24694S58	. SCREW	2			
- 11	MS24694S53	. SCREW	2			
- 12	MS24694S56	. SCREW	2			
	100951P250ZU	. WASHER.	2			

- 13	MIL-C-8061	. NETTING,NYLON RACHEL KNIT	AR	2		
- 14	60-530144-3	. PLATE,INSTRUCTION/BAGGAGE LOAD/	1	2		
		/ATTACHING PARTS/				
- 15	NAS384-6-10P	. SCREW	2			

	60-530398-1	WEB INSTL,BAGGAGE TIE DOWN.	NP	2		
		/STD 4 PLACE SEATING/STA 214/				
	60-530398-3	. WEB ASSY,BAGGAGE/COMPLETE/.	1	2		
	231177-1	. . HOOK.	10	2		
	60-530348-39	. . NET,NYLON	1	2		
	60-530372-1	. . PLACARD/THIS SIDE FORWARD/.	1	2		
	60-530372-5	. . PLACARD/OTHER SIDE FORWARD/	1	2		
	60-530397-1	BRACKET INSTL,BAGGAGE WEB/STA 214/.	NP	2		
	60-530397-5	. PLATE,LH SUPPORT-W.L. 107/.	1	2		
	60-530397-3	. PLATE,RH SUPPORT/W.L.107/	1	2		
	60-530397-15	. SPACER,RH	1	2		
	60-530397-17	. SHIM,RH	1	2		
	60-530397-19	. WEDGE,RH.	1	2		
	60-530397-7	. DOUBLER,RH/STINGER C/	1	2		
	60-530397-9	. SUPPORT ASSY,RH/STRINGER C/	1	2		
	6411B	. LOOP,FOOTMAN.	6	2		

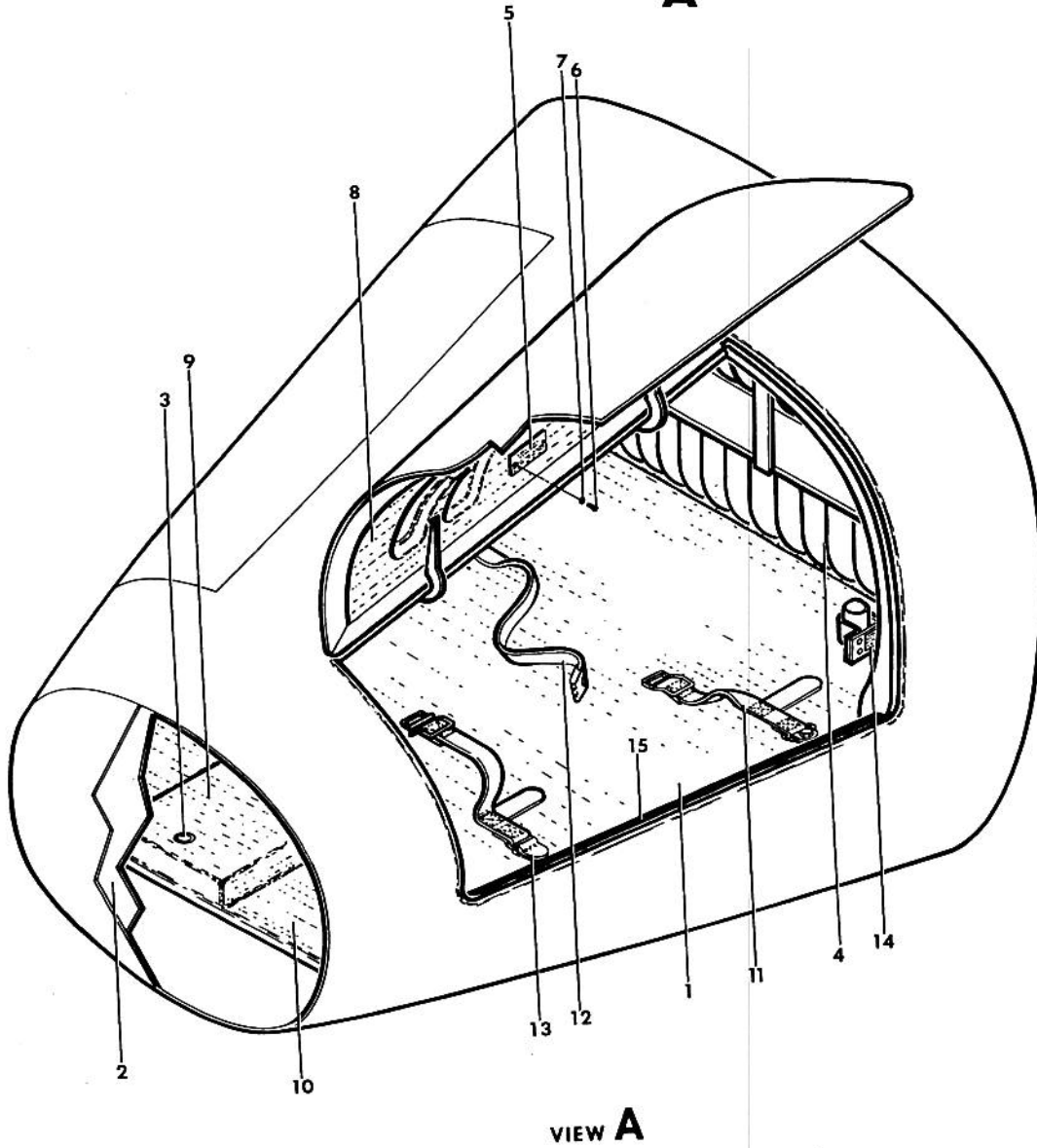
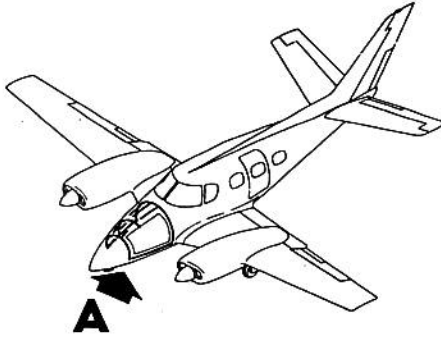
CODES OF EFFECTIVITY

1 P-247 THRU P-510 2 P-511,
P-512 THRU P-519 P-520 AND AFTER

BEECHCRAFT
DUKE B60
ILLUSTRATED PARTS CATALOG

25-50-10
NOSE BAGGAGE COMPARTMENT FURNISHINGS

BEECHCRAFT
DUKE B60
ILLUSTRATED PARTS CATALOG



B60-326-2

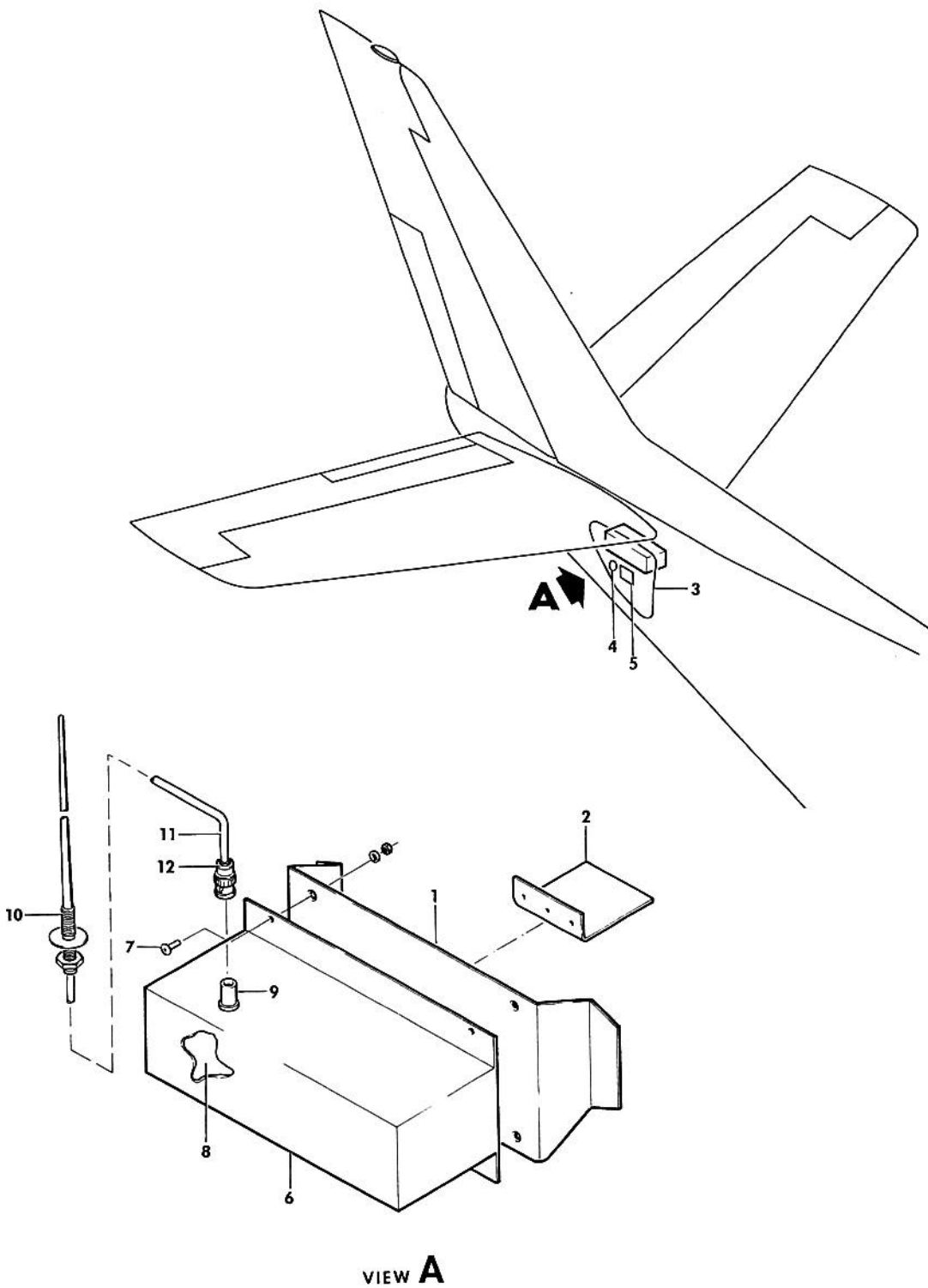
B E E C H C R A F T
DUKE B60
I L L U S T R A T E D P A R T S C A T A L O G

GAMA/ATA CODE & INDEX NO.	PART NO.	DESCRIPTION	UNITS PER ASSY	USABLE ON CODE
50-10	60-530086	UPHOLSTERY INSTL,BAGGAGE COMPARTMENT-NOSE	NP	
- 1	60-530086-3	. CARPET ASSEMBLY,FLOOR	1	
- 2	60-530086-5	. CARPET,FWD BULKHEAD-LH.	1	
	60-530086-6	. CARPET,FWD BULKHEAD-RH.	1	
- 3	60-530240-1	. CAP-COVER FOR NOSE GEAR BOLT HEAD	1	
- 4	60-530086-11	. CARPET,AFT BULKHEAD	1	
- 5	60-530115	. PLACARD,LOADING LIMIT-NOSE BAGGAGE COMPT. . . .	1	
		/ATTACHING PARTS/		
- 6	NAS384-6-8P	. SCREW,CHROMIUM PLATED-1/2 INCH LONG	2	
- 7	NAS391-6P	. WASHER,CHROMIUM PLATED.	2	
		*		
	MS27980-1B	. BUTTON.	AR	
	MS27980-6B	. SOCKET.	AR	
	AN227-8B	. STUD.	AR	
	NAS384-6-8P	. SCREW	AR	
- 8	60-530086-21	. DOOR CARPET	1	
- 9	60-530086-25	. CARPET,FWD FLOOR-CENTER	1	
- 10	60-530086-27	. CARPET,FWD FLOOR-LH	1	
	60-530086-28	. CARPET,FWD FLOOR-RH	1	
- 11	96-534126-1	. STRAP ASSY/BUCKLE END/.	2	
- 12	96-534126-3	. STRAP ASSEMBLY.	2	
- 13	1954	. CLIP AND DEE.	1	
- 14	50-580032	. DECAL,BRAKE FLUID-CAUTION	1	
- 15	60-530086-17	. TRIM,CARPET EDGE.	1	

BEECHCRAFT
DUKE B60
ILLUSTRATED PARTS CATALOG

25-60-01
EMERGENCY LOCATOR TRANSMITTER
P-247 THRU P-495

BEECHCRAFT
DUKE B60
ILLUSTRATED PARTS CATALOG



VIEW A

B60-490-1

B E E C H C R A F T
DUKE 860
I L L U S T R A T E D P A R T S C A T A L O G

GAMA/ATA CODE & INDEX NO.	PART NO.	1	2	3	4	5	6	7	DESCRIPTION	UNITS PER ASSY	USABLE ON CODE
60-01	60-340195-1								TRANSMITTER INSTL,EMERGENCY LOCATOR	NP	2
	60-340195-13								TRANSMITTER INSTL,EMERGENCY LOCATOR	NP	3
- 1	60-340195-3								. BRACKET	1	1
- 2	60-340195-5								. ANGLE	1	1
	60-440000-135								. DOOR ASSY	1	1
									/ATTACHING PARTS/		
	AN509-8R6								. SCREW	AR	
	NAS697A08								. NUT	AR	
									-----*		
- 3	60-440000-137								. DOOR	1	1
	60-440000-65								. STRINGER,UPPER.	1	1
	60-440000-67								. STRINGER,LOWER.	1	1
- 4	KM713-16-064								. DOOR,MANUAL ACCESS.	1	1
- 5	50-345296-1071								. PLACARD,EMERGENCY LOCATOR SWITCH.	1	1
	C1R10-16								. TRANSMITTER ASSY,EMERGENCY LOCATOR.	NP	2
- 6	R TR70-17								. TRANSMITTER	NP	3
									/ORDER KIT 101-3039-1/ /ATTACHING PARTS/		
- 7	MS35206-243								. SCREW	4	
	MS21043-08								. NUT	4	
									-----*		
- 8	BP60-02								. BATTERY PACK.	NP	2
	BP-60								. BATTERY PACK.	NP	3
- 9	UG1094/U								. CONNECTOR,POWER	1	1
- 10	ELT10-201								. ANTENNA ASSY.	1	1
- 11	RG58C/U								. CABLE,ANTENNA	1	1
- 12	UG88/U								. CONNECTOR,ANTENNA CABLE	1	1
	60-340195-7								. BRACKET,ANTENNA SUPPORT	1	1
									/ATTACHING PARTS/		
	MS35207-263								. SCREW	2	
	AN960D10								. WASHER.	2	
									-----*		
	60-340195-9								. ANGLE	1	1

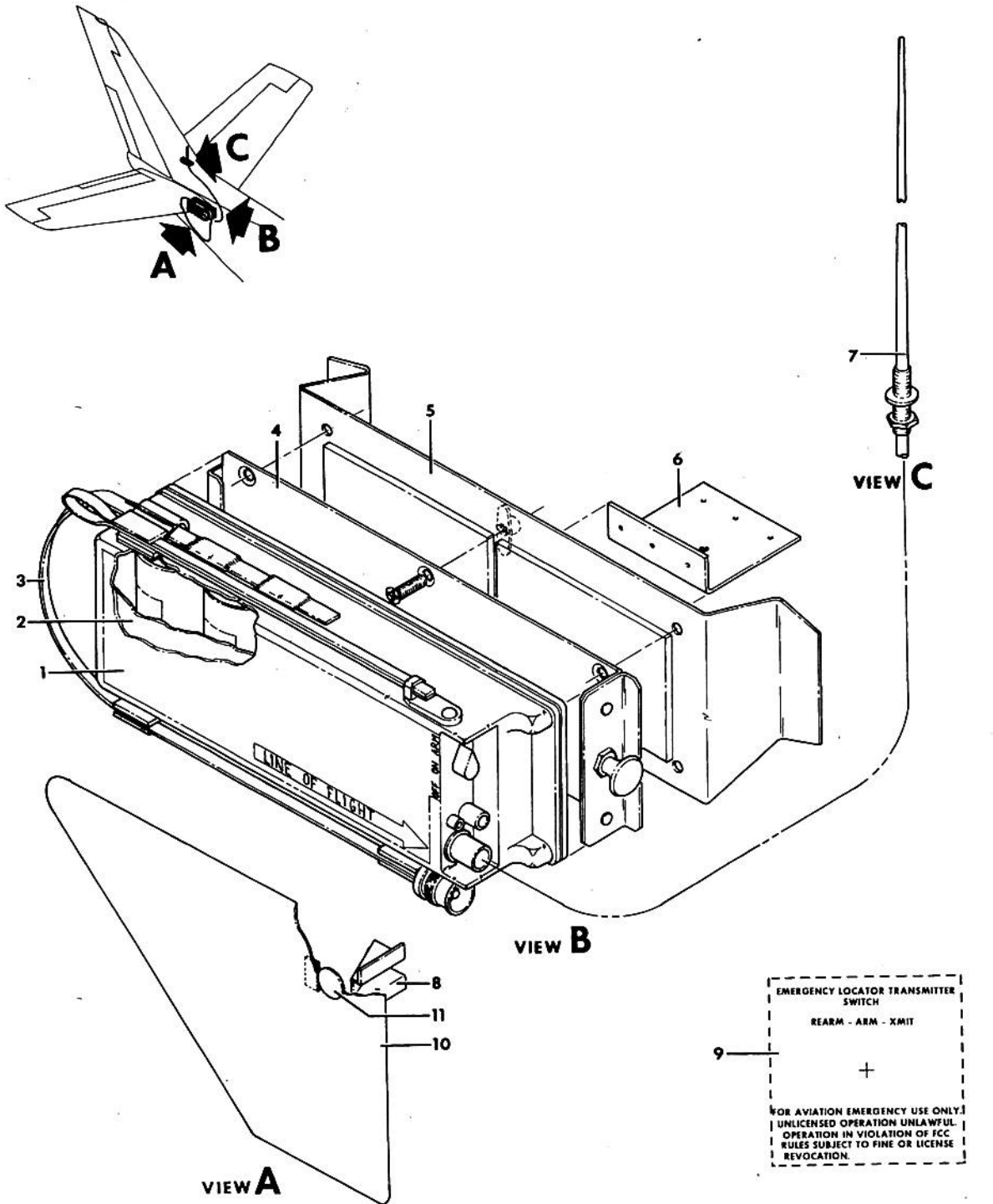
CODES OF EFFECTIVITY

1 P-247 THRU P-495 2 P-247 THRU P-272
3 P-273 THRU P-495

B E E C H C R A F T
DUKE 860
I L L U S T R A T E D P A R T S C A T A L O G

25-60-02
EMERGENCY LOCATOR TRANSMITTER
P-496 AND AFTER

BEECHCRAFT
DUKE B60
ILLUSTRATED PARTS CATALOG



B60-490-2

B E E C H C R A F T
DUKE B60
I L L U S T R A T E D P A R T S C A T A L O G

GAMA/ATA CODE & INDEX NO.	PART NO.	DESCRIPTION	UNITS PER ASSY	USABLE ON CODE
60-02	60-340292-1	TRANSMITTER INSTL, EMERGENCY LOCATOR	NP	1
- 1	TR70-13	. TRANSMITTER, EMERGENCY LOCATOR/WITH BATTERY/ . /ORDER KIT 101-3046-1/	NP	1
- 2	BP60-11	. . BATTERY PACK ASSY	NP	1
- 3	ELT10-249	. . ANTENNA, PORTABLE ELT.	NP	1
- 4	BR60-08	. . BRACKET, XMTR MOUNTING /ATTACHING PARTS/	NP	1
	MS24693S51	. SCREW	6	
- 5	60-340292-3	. BRACKET ASSY.	1	1
	60-340292-5	. BRACKET	1	1
	MS21047L08	. NUTPLATE	6	1
	60-340292-7	. ANTENNA INSTL	NP	1
- 6	60-340292-13	. ANGLE	1	3
	60-340292-9	. BRACKET	1	3
	60-340292-11	. ANGLE	1	3
- 7	ELT10-201	. . ANTENNA, FIXED/ORDER 01652-0101/ /ATTACHING PARTS/	1	1
	MS35207-263	. . SCREW	2	
	AN960D10	. . WASHER	2	
- 8	60-340292-17	. BRACKET	1	3
	60-340292-15	. HARNESS ASSY.	1	1
	70-18	. . KIT, CONNECTOR	1	1
	MST205T	. . SWITCH /ATTACHING PARTS/	1	1
	MS35206-203	. . SCREW	2	
	MS35333-35	. . WASHER	2	
	MS35649-222	. . NUT	2	
- 9	101-340009-351	. PLACARD	1	1
	60-440000-139	DOOR ASSY, ACCESS.	1	1
- 10	60-440000-141	. DOOR	1	1
- 11	KM713-16-064	. . DOOR, ACCESS/SPRING LOADED/	1	1
	101-3046-1	KIT, EMERGENCY LOCATOR XMTR INSTL.	1	1
	101-340830-17	. BRACKET	1	1
	101-341101-71	. PLACARD	1	1
	MST105F	. SWITCH, REMOTE	1	1
	03716-0300	. KIT, XMTR ASSY	1	1
	60-340366-1	TRANSMITTER INSTL, EMERGENCY LOCATOR	NP	2
	60-340366-5	. BRACKET ASSY.	1	2
	60-340366-7	. BRACKET	1	2
	60-340366-9	. ANTENNA INSTL	NP	2
	01652-0101	. . ANTENNA	1	2
	101-341101-71	. PLACARD	1	2
	MST105F	. SWITCH, REMOTE	1	2
	03716-0300	. KIT, TRANSMITTER ASSY.	1	2

CODES OF EFFECTIVITY

1 P-496 THRU P-537 2 P-538 AND AFTER
3 P-496 AND AFTER

