

B E E C H C R A F T
DUKE B60
I L L U S T R A T E D P A R T S C A T A L O G

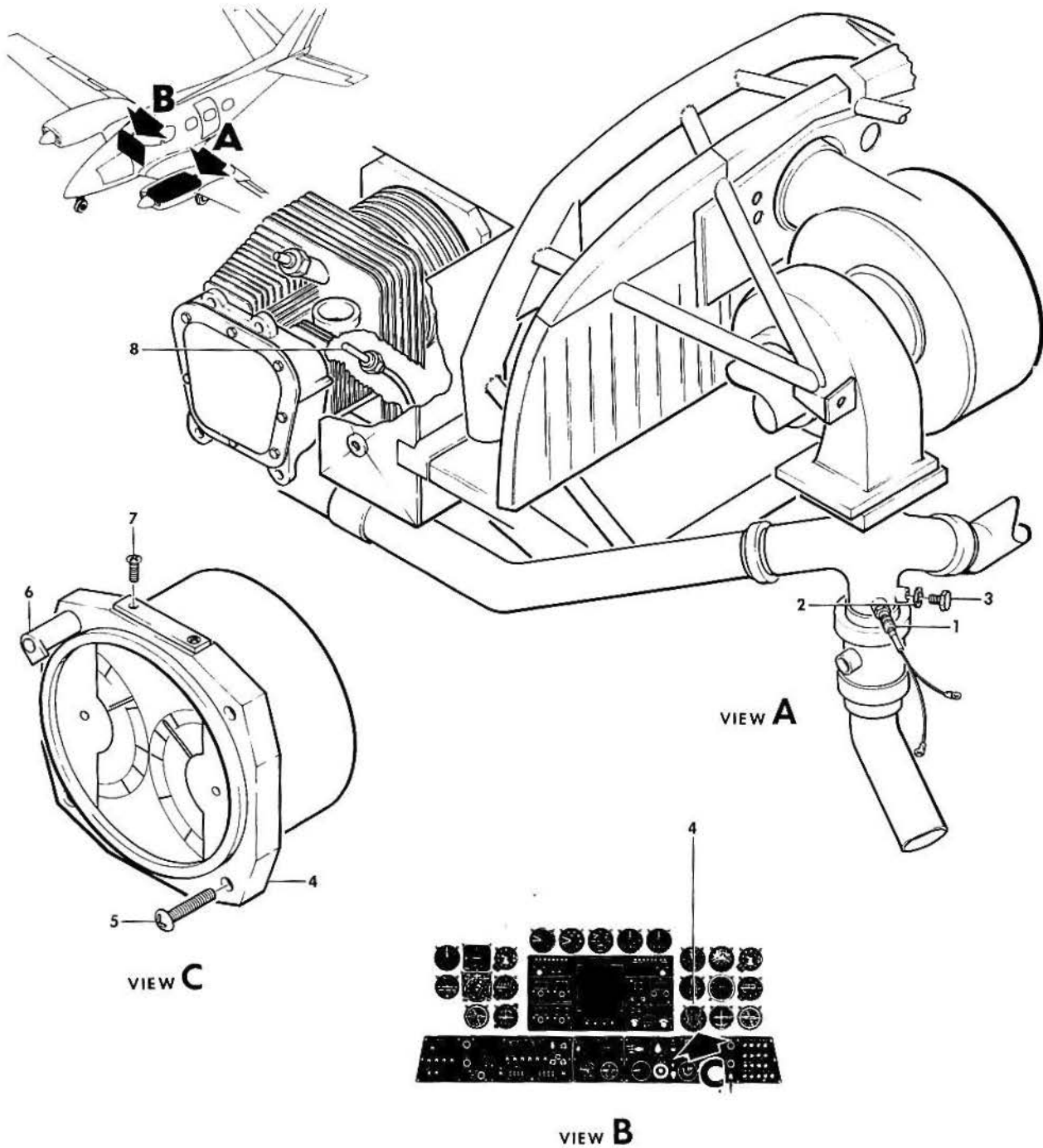
LIST OF PAGES & TABLE OF CONTENTS
FOR
CHAPTER 77-00-00 ENGINE INDICATING

SYS/SUB-SYS/ CHAP SECTION	PAGE NO.	EFFECTIVE DATE	TABLE OF CONTENTS
77-00-00	1	01/08/82. LIST OF PAGES & TABLE OF CONTENTS
77-20-01	1	03/20/81. ENGINE TEMPERATURE INDICATING SYSTEM.
77-20-01	2	03/20/81	
77-20-01	3	01/08/82	

B E E C H C R A F T
DUKE B60
I L L U S T R A T E D P A R T S C A T A L O G

77-20-01
ENGINE TEMPERATURE INDICATING SYSTEM

BEECHCRAFT
DUKE 660
ILLUSTRATED PARTS CATALOG



B60-241-14

B E E C H C R A F T
DUKE B60
I L L U S T R A T E D P A R T S C A T A L O G

GAMA/ATA CODE & INDEX NO.	PART NO.	DESCRIPTION							UNITS PER ASSY	USABLE ON CODE
		1	2	3	4	5	6	7		
20-01	60-324076-1	INDICATOR INSTL,MIXTURE CONTROL							NP	
	60-324076-3	INDICATOR INSTL,MIXTURE CONTROL/WEDGE LIGHTED							NP	1
		INDICATOR/								
- 1	R MCI-A106J1	. PROBE ASSY,EXHAUST TEMPERATURE/CLAMPED/							2	
- 2	R MCI106-150	. GASKET							2	
- 3	R MCI106-199	. PLUG							2	
- 4	205-16A	. INDICATOR,MIXTURE CONTROL/CENTIGRADE							1	
		/FOR USE WITH POST LIGHTED INSTRUMENTS/								
	205-16AL	. INDICATOR,MIXTURE CONTROL/CENTIGRADE							1	1
		/WEDGE LIGHTED/								
		/ATTACHING PARTS/								
- 5	AN507B6R10	. SCREW /4 REQUIRED WITH WEDGE LIGHTED IND./							2	
- 6	A8970-2-327	. POST LIGHT,INDICATOR							2	
	58-380022-11	. LIGHT TRAY ASSY/WEDGE LIGHTED/							1	1
		/ATTACHING PARTS/								
- 7	MS35198-11	. SCREW							2	1
- 8	AN5546-1	BULB,CYLINDER HEAD TEMPERATURE							1	

CODES OF EFFECTIVITY

1 P-263 AND AFTER

