

B E E C H C R A F T
DUKE B60
I L L U S T R A T E D P A R T S C A T A L O G

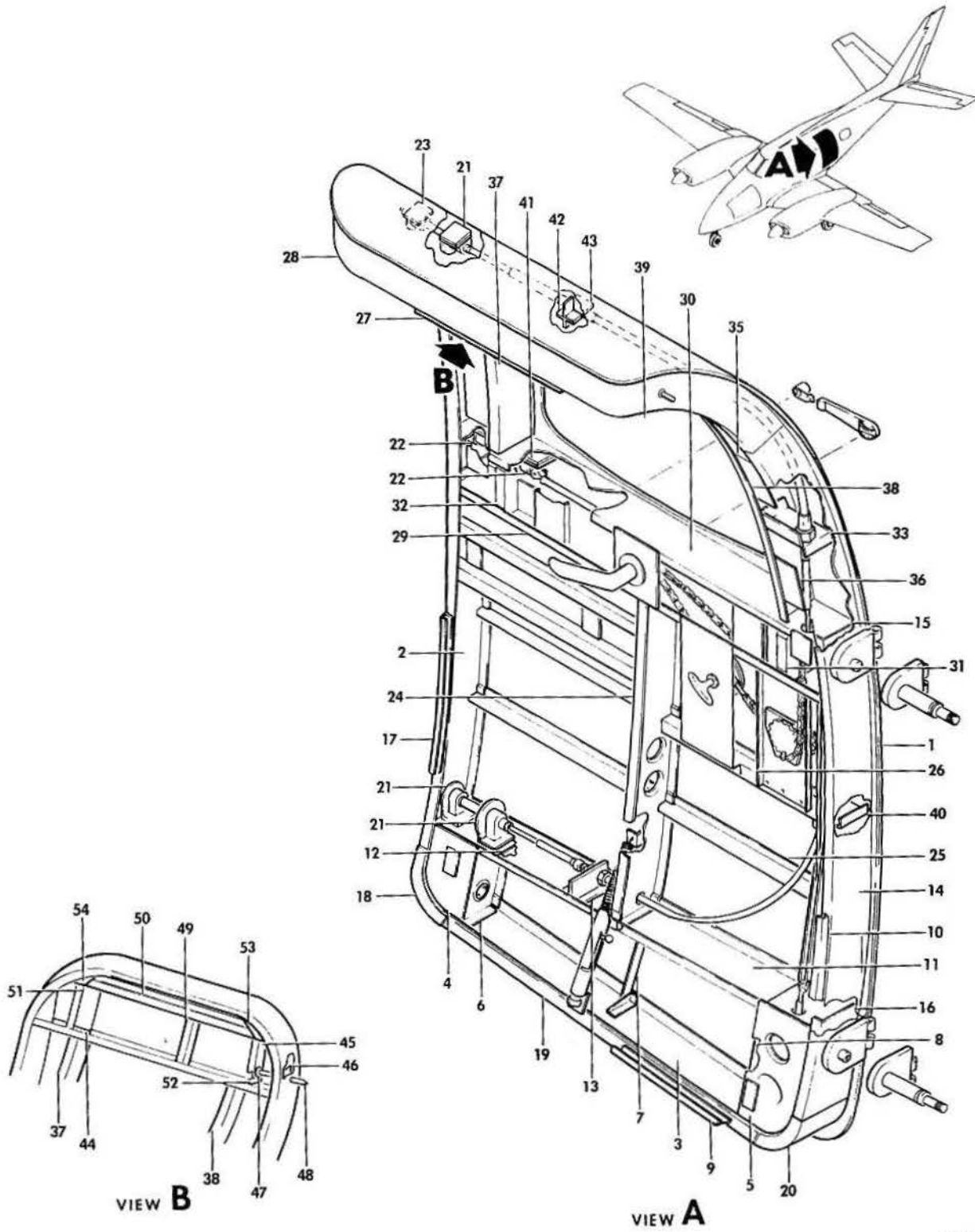
LIST OF PAGES & TABLE OF CONTENTS
FOR
CHAPTER 52-00-00 DOORS

CHAP/SUB- SECT & UNIT	PAGE NO.	EFFECTIVE DATE	TABLE OF CONTENTS
52-00-00	1	04/19/84. LIST OF PAGES & TABLE OF CONTENTS
52-10-01	1	03/20/81. CABIN DOOR.
52-10-01	2	03/20/81	
52-10-01	3	03/20/81	
52-10-01	4	03/20/81	
52-10-01	5	03/20/81	
52-10-01	6	03/20/81	
52-10-01	7	03/20/81	
52-10-01	8	03/20/81	
52-10-01	9	04/16/82	
52-10-01	10	03/20/81	
52-10-01	11	01/08/82	
52-20-01	1	03/20/81. EMERGENCY EXIT HATCH.
52-20-01	2	03/20/81	
52-20-01	3	04/16/82	
52-20-01	4	03/20/81	
52-20-01	5	03/20/81	
52-40-01	1	03/20/81. NOSE BAGGAGE DOOR
52-40-01	2	04/19/84	
52-40-01	3	04/19/84	
52-40-01	4	04/19/84	
52-40-01	5	04/19/84	
52-40-10	1	03/20/81. WING ACCESS DOORS/REFERENCES/ SEE CHAPTER 57 FOR WING ACCESS DOORS
52-60-01	1	03/20/81. CABIN ENTRANCE STEP
52-60-01	2	03/20/81	
52-60-01	3	01/08/82	
52-60-01	4	03/20/81	
52-60-01	5	01/08/82	
52-70-01	1	03/20/81. CABIN DOOR AND BAGGAGE DOOR WARNING/REFERENCES/ . SEE CHAPTER 52,MODEL 60 WIRING MANUAL FOR CABIN AND BAGGAGE DOOR WARNING
52-80-01	1	03/20/81. LANDING GEAR DOORS,MAIN AND NOSE/REFERENCES/. . . SEE CHAPTER 32 FOR MAIN AND NOSE LANDING GEAR DOORS

BEECHCRAFT
DUKE B60
ILLUSTRATED PARTS CATALOG

52-10-01
CABIN DOOR

BEECHCRAFT
DUKE B60
ILLUSTRATED PARTS CATALOG

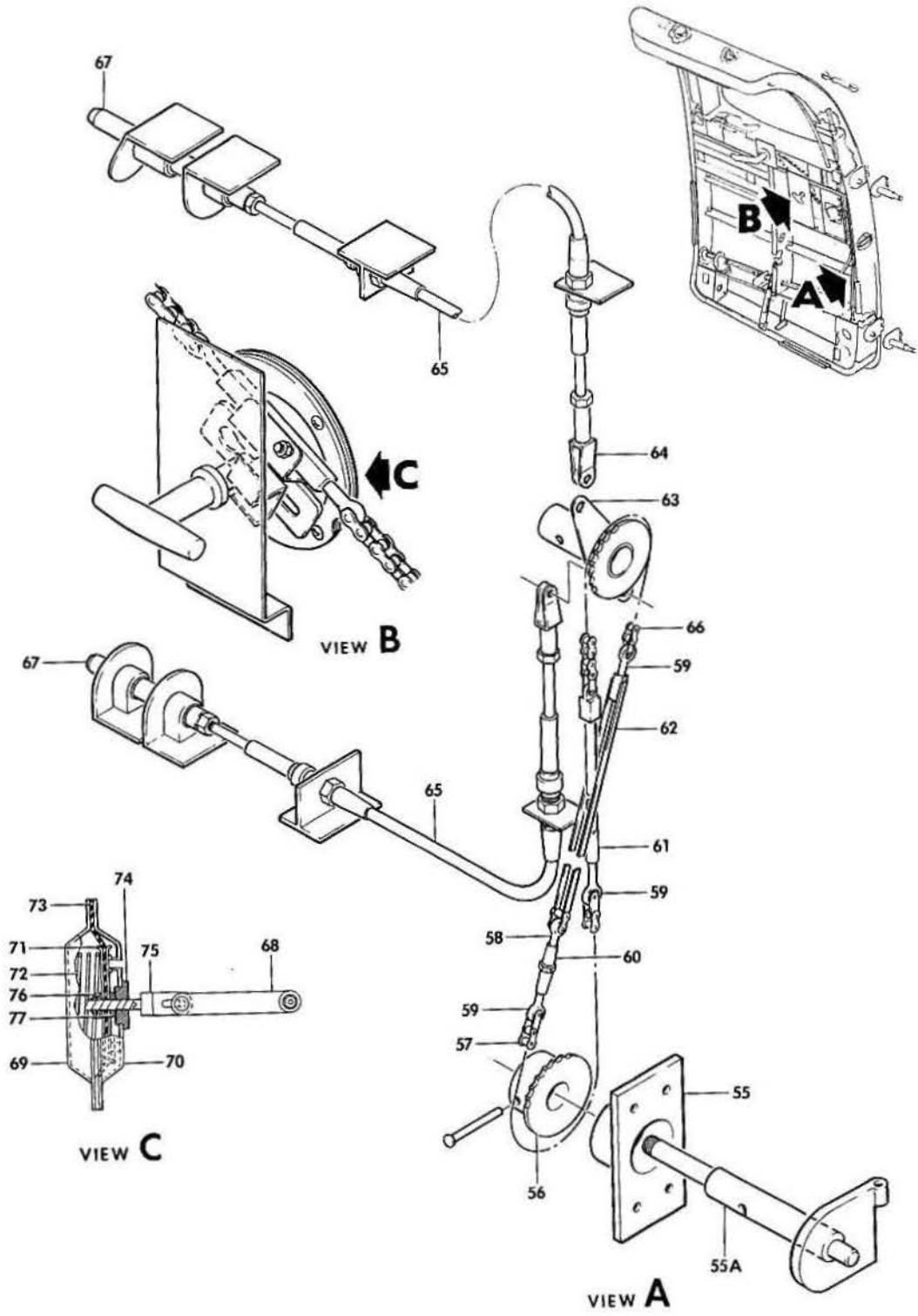


B60-104-B

B E E C H C R A F T
DUKE B60
I L L U S T R A T E D P A R T S C A T A L O G

CAMA/ATA CODE & INDEX NO.	PART NO.	DESCRIPTION							UNITS PER ASSY	USABLE ON CODE
		1	2	3	4	5	6	7		
10-01	60-430233	DOOR INSTL,CABIN ENTRANCE	NP	
	60-430085-603	DOOR ASSY,CABIN ENTRANCE	1	
- 1	60-430085-231	SKIN ASSY,BONDED	1	
- 2	60-430085-7	CHANNEL	1	
- 3	60-430085-3	FRAME	1	
- 4	60-430085-81	GUSSET,LOWER	1	
- 5	60-430085-157	GUSSET,LOWER	1	
- 6	60-430085-159	SUPPORT	1	
- 7	60-430085-47	STIFFENER	1	
- 8	60-430085-75	CHANNEL	1	
- 9	60-430085-125	RETAINER	1	
- 10	60-430085-123	RETAINER	1	
- 11	60-430085-35	CHANNEL	1	
- 12	60-430085-77	ANGLE	1	
- 13	60-430085-101	BRACKET	1	
	60-430086	CHANNEL ASSY HINGE MOUNTING	1	
- 14	60-430086-1	CHANNEL	1	
- 15	60-430086-15	CHANNEL	1	
- 16	60-430086-17	CHANNEL	1	
- 17	60-430085-119	RETAINER	1	
- 18	60-430085-153	FILLER STRIP	1	
- 19	60-430085-151	FILLER STRIP	1	
- 20	60-430085-155	FILLER STRIP	1	
- 21	60-430102-1	PIN GUIDE	3	
- 22	60-430102-2	PIN GUIDE	2	
- 23	60-430153	PIN GUIDE	1	
- 24	60-430085-49	CHANNEL	1	
- 25	60-430085-53	STIFFENER	1	
- 26	60-430085-99	STIFFENER	1	
- 27	60-430085-121	RETAINER	1	
- 28	60-430085-1	FRAME	1	
- 29	60-430085-27	CHANNEL	1	
- 30	60-430085-25	CHANNEL	1	
- 31	60-430085-89	SUPPORT	1	
- 32	60-430085-73	CHANNEL	1	
- 33	60-430085-107	SUPPORT	1	
- 34		DELETED		
- 35	60-430293-5	EXTENDER	1	
- 36	60-430293-5	EXTENDER	1	
- 37	60-430085-11	CHANNEL	1	
- 38	60-430085-9	CHANNEL	1	
- 39	60-430294-1	WINDOW	1	
	60-430300	CLIP,WINDOW	4	
- 40	60-430085-111	SUPPORT	1	
	60-430085-105	GUSSET	1	
	60-430085-115	SHIM	1	
	60-430085-117	SHIM	1	
- 41	60-430085-147	SHIM	6	
- 42	60-430085-83	CLIP	1	
- 43	60-430085-85	BRACKET	1	
- 44	60-430085-13	CHANNEL	1	
- 45	60-430085-131	CHANNEL	1	
- 46	60-430085-127	PLATE	1	
- 47	60-430085-129	DISK	1	
- 48	60-430085-171	PIN	1	
		/ATTACHING PARTS/								
	130909N32	NUT	1	
	AN960D416	WASHER	1	
		*								
- 49	60-430085-33	STIFFENER	1	
- 50	60-430085-19	CHANNEL	1	
- 51	60-430085-79	CHANNEL	1	
- 52	60-430085-141	CLIP	1	
- 53	60-430085-41	GUSSET	1	
- 54	60-430085-43	GUSSET	1	

BEECHCRAFT
DUKE B60
ILLUSTRATED PARTS CATALOG

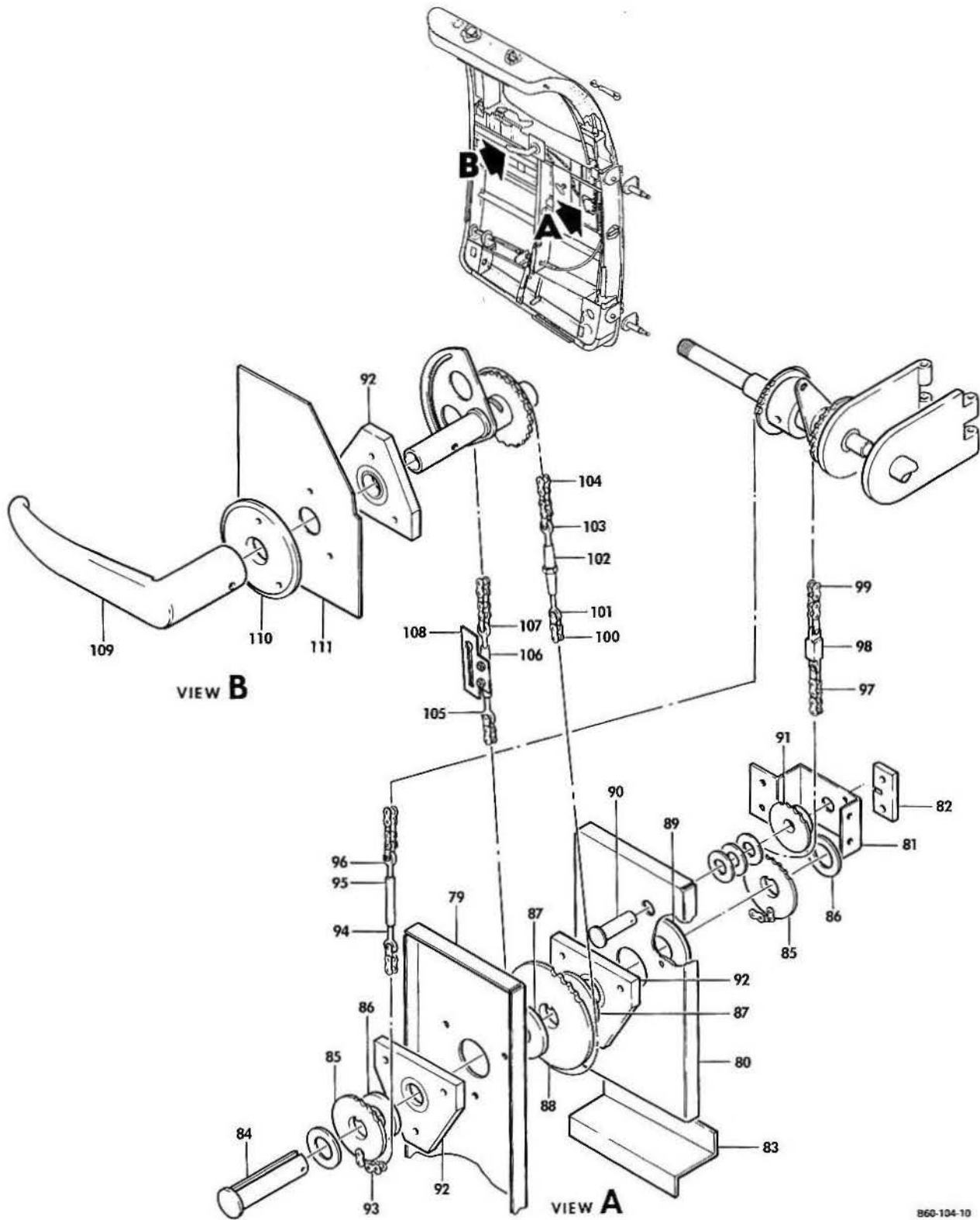


B60-104-9

B E E C H C R A F T
DUKE B60
I L L U S T R A T E D P A R T S C A T A L O G

GAMA/ATA CODE & INDEX NO.	PART NO.	1	2	3	4	5	6	7	DESCRIPTION	UNITS PER ASSY	USABLE ON CODE
10-01 - 55	60-430168-603	.	.	SUPPORT ASSY, DOOR HINGE BEARING		2	
	NAS1202-11	.	.	SCREW		4	
	60-430168-9	.	.	SUPPORT		1	
	LHBVV10	.	.	BEARING		1	
- 55A	60-430176-41	.	.	HINGE ASSY, CABIN DOOR LOWER		1	
	60-430176-45	.	.	WELD ASSY		NP	
	60-430176-47	.	.	WELD ASSY		NP	
	MS20392-2C65	.	.	PIN		1	
	AN960-10L	.	.	WASHER		1	
	MS24665-134	.	.	PIN, COTTER		1	
- 56	60-430195	.	.	SPROCKET, CABIN DOOR LOWER HINGE		1	
		.	.	/ATTACHING PARTS/			
	MS20392-2C41	.	.	PIN, CLEVIS		1	
	MS24665-130	.	.	PIN, COTTER		1	
		.	.	CHAIN		1	
- 57	60-430085-93	.	.	LINK CHAIN		2	
	C4189CL00	.	.	TERMINAL, CHAIN TURNBUCKLE		1	
- 58	NAS288-25LH	.	.	TERMINAL, CHAIN TURNBUCKLE		3	
- 59	NAS288-25RH	.	.	TURNBUCKLE		1	
- 60	MS21251-3S	.	.	ROD ASSY		1	
- 61	60-430171	.	.	FITTING		1	
	60-430171-1	.	.	ROD		1	
	60-430171-3	.	.	FITTING		1	
	60-430171-5	.	.	NUT		1	
	AN315-3L	.	.	STRAP ASSY		1	
- 62	60-430172	.	.	BELLCRANK ASSY, CABIN DOOR UPPER HINGE		1	
- 63	60-430179	.	.	END, CLEVIS ROD		1	
- 64	MS27975-4	.	.	/ATTACHING PARTS/			
	MS20392-2C11	.	.	PIN, CLEVIS		1	
	AN960-10L	.	.	WASHER		1	
	AN380-2-2	.	.	PIN, COTTER		1	
	AN316-4	.	.	NUT, CHECK		1	
- 65	2SNL126A33-3/4	.	.	CABLE ASSY, PUSH PULL		2	1
	41886-1	.	.	CABLE ASSY, PUSH PULL		2	2
		.	.	/ATTACHING PARTS/			
	NAS509-4	.	.	NUT		2	
- 66	60-430085-91	.	.	CHAIN		1	
	C4189CL00	.	.	LINK, CHAIN/CONNECTS CHAIN TO TERMINAL/		2	
- 67	60-430105	.	.	PIN		2	
- 68	60-430191	.	.	HANDLE, AIR PRESSURE ACTUATED		1	
		.	.	/ATTACHING PARTS/			
	MS20392-2C33	.	.	PIN		1	
	AN380-2-2	.	.	PIN, COTTER		1	
	AN960-10	.	.	WASHER		2	
	100801A4-0250	.	.	BUSHING		2	
	100943ZN024N	.	.	SPRING		1	
- 69	50-430024-19	.	.	LOCK ASSY AIR PRESSURE ACTUATED		1	
	50-430024-3	.	.	COVER		1	
- 70	50-430024-5	.	.	COVER		1	
- 71	50-430024-7	.	.	SUPPORT		2	
- 72	111504YZ0200-1	.	.	SPRING		1	
- 73	50-430026	.	.	SEAL		1	
- 74	50-430028	.	.	BUSHING		1	
- 75	50-430027	.	.	BOLT		1	
- 76	130909N32	.	.	NUT		1	
- 77	AN316-4R	.	.	NUT		1	
- 78	60-430085-183	.	.	PLATE ASSY		1	
	60-430085-181	.	.	PLATE		1	
	60-430085-179	.	.	ANGLE		1	

BEECHCRAFT
DUKE 860
ILLUSTRATED PARTS CATALOG

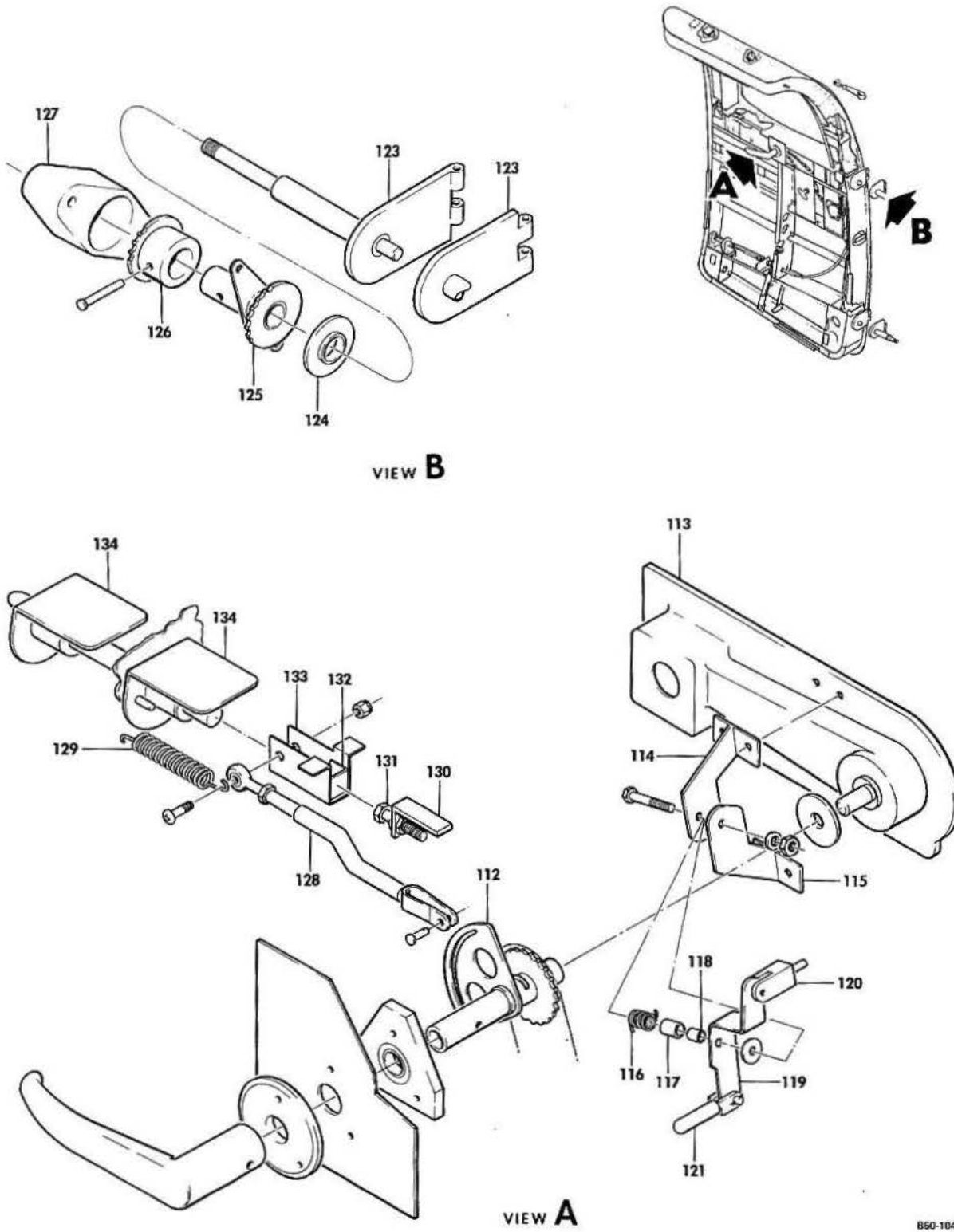


860-104-10

B E E C H C R A F T
DUKE B60
I L L U S T R A T E D P A R T S C A T A L O G

GAMA/ATA CODE & INDEX NO.	PART NO.	1	2	3	4	5	6	7	DESCRIPTION	UNITS PER ASSY	USABLE ON CODE	
10-01	60-430184	BRACKET ASSY, DOOR LINKAGE SPROCKET.	1		
- 79	60-430184-3	SUPPORT	1		
- 80	60-430184-5	SUPPORT	1		
- 81	60-430184-7	SUPPORT	1		
- 82	60-430184-9	BLOCK	1		
- 83	60-430184-11	ZEE	1		
- 84	60-430238-1	SHAFT	1		
	AN380-4-4	PIN COTTER	2		
	AN960-1016L	WASHER	2		
- 85	60-430182-1	SPROCKET	2		
		/ATTACHING PARTS/										
	NAS558P606-4	KEY	2		
- 86	NAS43HT10-4	SPACER	2		
- 87	NAS43HT10-6	SPACER	2		
- 88	60-430239-1	SPROCKET	1		
		/ATTACHING PARTS/										
	NAS558P606-4	KEY	1		
- 89	NAS43HT10-11	SPACER	1		
- 90	60-430183	SHAFT UPPER SPROCKET	1		
	NAS561-2-12	PIN, SHAFT	1		
	AN960-616	WASHER	AR		
- 91	60-430181	SPROCKET ASSY, UPPER	1		
	60-430181-1	SPROCKET	1		
	B66	BEARING	1		
- 92	60-430197	SUPPORT ASSY, SPROCKET SHAFT	3		
	60-430197-1	SUPPORT	1		
	K8000-08	INSERT	3		
	B538DD	BEARING	1		
- 93	60-430085-103	CHAIN	1		
- 94	60-430214-3	TERMINAL, CHAIN TURNBUCKLE	1		
- 95	60-430215	TURNBUCKLE	1		
- 96	60-430214-1	TERMINAL, CHAIN TURNBUCKLE	1		
- 97	60-430085-95	CHAIN	1		
- 98	60-430185	BLOCK, BI-PLANAR CHAIN	1		
- 99	60-430085-97	CHAIN	1		
		/ATTACHING PARTS/										
	C4189CL00	LINK	6		
-100	60-430085-185	CHAIN	1		
-101	NAS288-25LH	TERMINAL, CHAIN TURNBUCKLE	1		
-102	MS21251-3S	TURNBUCKLE	1		
-103	NAS288-25RH	TERMINAL, CHAIN TURNBUCKLE	1		
-104	60-430085-187	CHAIN	1		
-105	60-430214-3	TERMINAL, CHAIN TURNBUCKLE	1		
-106	60-430298	TURNBUCKLE	1		
-107	60-430214-1	TERMINAL, CHAIN TURNBUCKLE	1		
		/ATTACHING PARTS/										
	C4189CL-00	LINK	4		
-108	60-430297	LOCK SIDE, CABIN DOOR LATCH	1		
	60-430297-1	GUIDE	1		
	60-430297-3	SLIDE	1		
-109	60-430237-601	HANDLE	1		
		/ATTACHING PARTS/										
	XP187-8-18	PIN, GROOVED	1		
-110	60-430196	ESCUTCHEON	1		
		/ATTACHING PARTS/										
	NAS387-832-8P	SCREW	3		
-111	60-430085-177	COVER	1		
	60-430085-217	SHIM	2		

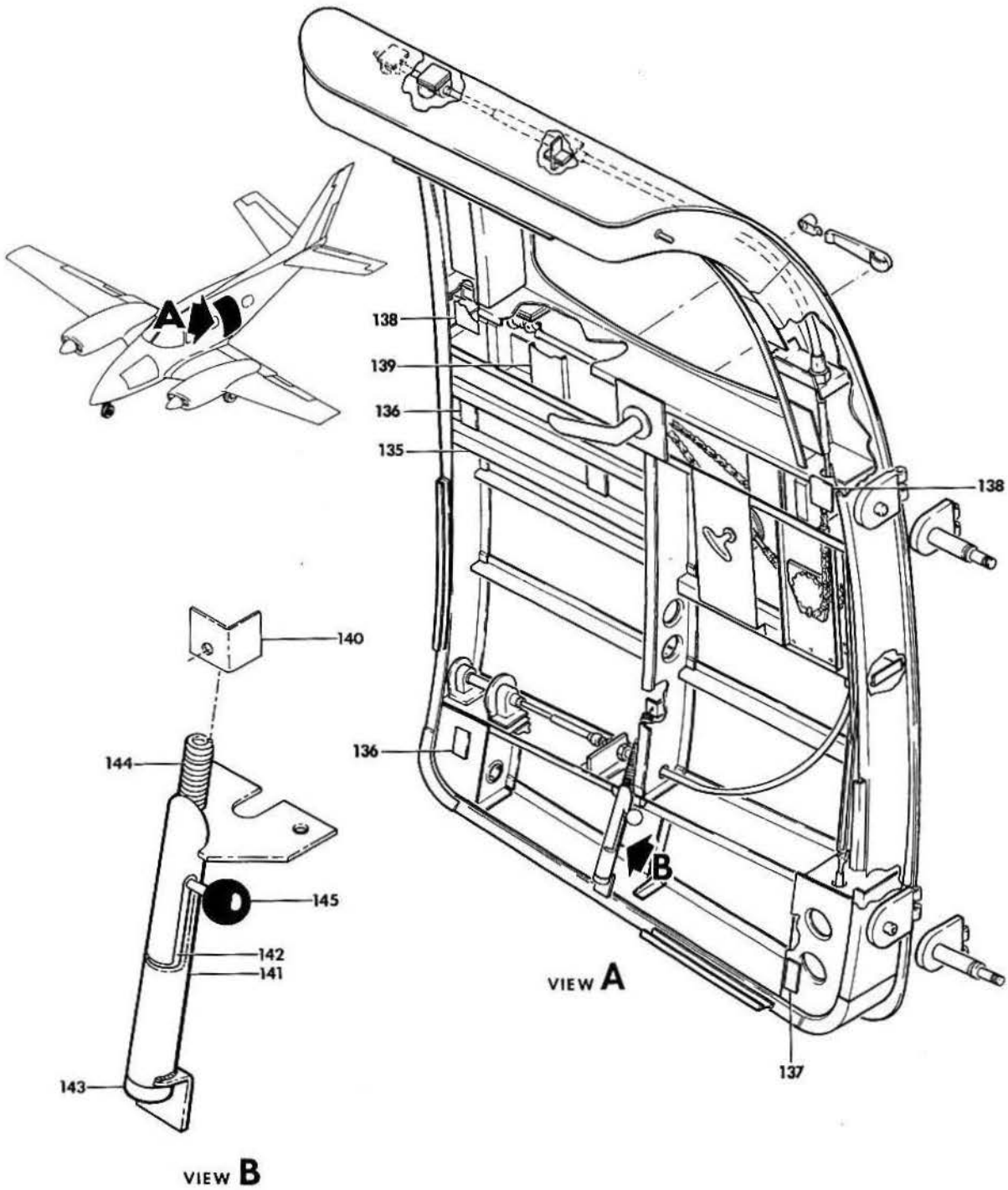
BEECHCRAFT
DUKE 860
ILLUSTRATED PARTS CATALOG



B E E C H C R A F T
DUKE B60
I L L U S T R A T E D P A R T S C A T A L O G

GAMA/ATA CODE & INDEX NO.	PART NO.	1 2 3 4 5 6 7	DESCRIPTION	UNITS PER ASSY	USABLE ON CODE
10-01 -112	60-430307	BELLCRANK ASSY,CABIN DOOR HANDLE.	1	
	60-430085-149	PIN	1	
-113	60-430311	HANDLE & LOCK ASSY,CABIN DOOR OUTER	1	
	60-400011	LOCKSET & KEYS,CABIN DOOR OUTER	1	
	60-400011-1	KEY,CABIN DOOR LOCK	2	
	60-400011-17	LOCK ASSY,CABIN DOOR.	1	
	F6500W	CYLINDER,LOCK ASSY.	1	
	CC313	CAM,LOCK ASSY	1	
	60-430085-189	LATCH ASSY,DOOR	1	
-114	60-430306-7	WELD ASSY	1	
-115	60-430306-1	WELD ASSY	1	
-116	60-430305	SPRING.	1	
-117	102933S5ZM0317	BUSHING	1	
-118	102933S4ZY0500	BUSHING	1	
-119	60-430304-5	LATCH	1	
	130909B18	BOLT.	1	
	AN935-10L	WASHER.	1	
	130909N29	NUT	1	
	AN960-416	WASHER.	1	
-120	60-430302	BUTTON,PUSH/INTERIOR/ /ATTACHING PARTS/	1	
	AN392-13	PIN	1	
	AN960-4	WASHER.	1	
	AN380-2-2	PIN,COTTER.	1	
-121	60-430301	BUTTON,PUSH/EXTERIOR/ /ATTACHING PARTS/	1	
	MS20392-1C25	PIN	1	
	60-430085-24	SPACER.	1	
	MS24665-132	PIN,COTTER.	1	
-122	60-430085-161	SHIM.	1	
-123	60-430176-43	HINGE ASSY,UPPER CABIN DOOR	1	
	MS20392-2C65	PIN,HINGE HALFS.ATTACHING	1	
	60-430176-51	WELD ASSY	NP	
	60-430176-53	WELD ASSY	NP	
-124	60-430167-1	SEAL,HINGE BEARING.	2	
-125	60-430179	BELLCRANK ASSY,CABIN DOOR UPPER HINGE	1	
-126	60-430173	SPROCKET,UPPER HINGE DRIVING.	1	
	MS20392-2C41	/ATTACHING PARTS/ PIN,CLEVIS.	1	
	AN380-2-1	PIN,COTTER.	1	
	AN960-10L	WASHER.	1	
-127	60-430169	MOUNT ASSY,DOOR HINGE BEARING	2	
	60-430169-1	SUPPORT	1	
	MS20206DSP6	BEARING	1	
-128	60-430190-3	ROD ASSY,CABIN DOOR HINGE PUSH. /ATTACHING PARTS/	1	
	MS27039-1-23	SCREW	1	
	102933S4ZE0312	SPACER.	1	
	AN960-10L	WASHER.	2	
	130909N29	NUT	1	
	60-430190-1	TUBE.	1	
	60-430190-5	END,CLEVIS ROD.	1	
R	131553-3M	END,ROD	1	
	AN315-3	NUT,CHECK	1	
	60-430085-143	RUB STRIP	1	
-129	100942L0023-17	SPRING.	1	
	MS20392-1C7	PIN,CLEVIS.	1	
-130	60-430085-165	ANGLE,DOOR LATCH.	1	
-131	NAS428-3-10	BOLT,DOOR LATCH	1	
	AN315-3R	NUT,DOOR LATCH.	1	
	130909N29	NUT,DOOR LATCH.	1	
-132	60-430085-163	BUMPER,DOOR LATCH	1	
-133	60-430085-145	BRACKET,DOOR LATCH PIN.	1	
-134	60-430106	PIN,CABIN DOOR LATCH.	1	

BEECHCRAFT
DUKE B60
ILLUSTRATED PARTS CATALOG



960-104-12

BEECHCRAFT
DUKE B60
ILLUSTRATED PARTS CATALOG

GAMA/ATA CODE & INDEX NO.	PART NO.	1 2 3 4 5 6 7	DESCRIPTION	UNITS PER ASSY	USABLE ON CODE
10-01 -135	60-530113-15	. .	SUPPORT	1	
-136	60-530113-5	. .	SPACER.	2	
	60-530113-9	. .	ANGLE	2	
	AN525-832R12	. .	SCREW	4	
	130007A832	. .	ANCHOR NUT.	4	
-137	60-530205-49	. .	SHIM.	2	
-138	60-530205-55	. .	CLIP.	2	
-139	60-530205-79	. .	PLATE	2	
	V3L131	. .	SWITCH.	1	
	60-430134-31	. .	SUPPORT	1	
	60-430134-29	. .	SKIN.	1	
	60-430315-1		STAY INSTL,CABIN DOOR	NP	
-140	60-430315-9	. .	CLIP.	1	
	60-430315-11	. .	STAY ASSY	1	
			/ATTACHING PARTS/		
	MS24694-S11	. .	SCREW	1	
	NAS687A08	. .	NUTPLATE.	1	
	130909814	. .	BOLT.	2	
	130909N29	. .	NUT	2	
	AN960-10L	. .	WASHER.	2	
-141	60-430315-3	. .	WELD ASSY	1	
-142	60-430085-243	. .	SWAGE ASSY.	1	
-143	60-430085-205	. .	BUMPER.	1	
-144	60-430085-227	. .	SPRING.	1	
			/ATTACHING PARTS/		
	MS9048-068	. .	PIN	1	
-145	60-430254	. .	HANDLE ASSY	1	
	60-430256		SEAL,CABIN DOOR LATCH	3	
	60-430225-1		SEAL,CABIN DOOR	1	
	60-430236-13		SEAL RETAINER,LOWER CABIN DOOR.	1	
	60-430236-21		DOUBLER,SEAL FWD CABIN DOOR	1	
	60-430236-31		SEAL RETAINER,FWD CABIN DOOR.	1	
	60-430236-27		DOUBLER,SEAL UPPER CABIN DOOR	1	
	60-430236-29		SEAL RETAINER,UPPER CABIN DOOR.	1	
	60-430236-25		SEAL RETAINER,AFT CABIN DOOR.	1	
	60-430236-23		DOUBLER,SEAL AFT CABIN DOOR	1	
R 36-530136-3			EMBLEM,50TH ANNIVERSARY	1	3

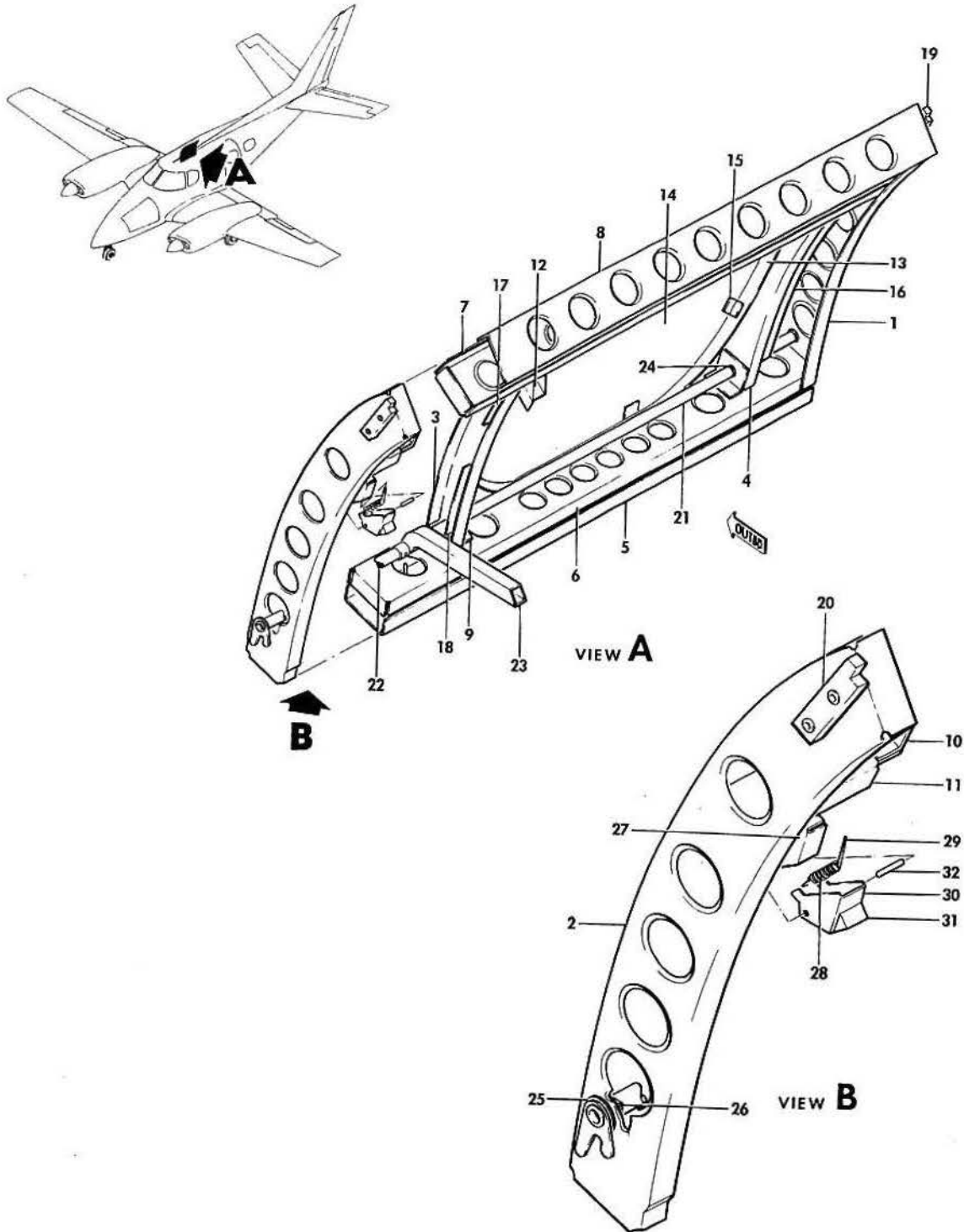
CODES OF EFFECTIVITY

1 P-247 THRU P-301 2 P-302 AND AFTER
3 P-581 THRU P-604

B E E C H C R A F T
DUKE B60
I L L U S T R A T E D P A R T S C A T A L O G

52-20-01
EMERGENCY EXIT HATCH

BEECHCRAFT
DUKE 860
ILLUSTRATED PARTS CATALOG



B60-108-2

B E E C H C R A F T
DUKE B60
I L L U S T R A T E D P A R T S C A T A L O G

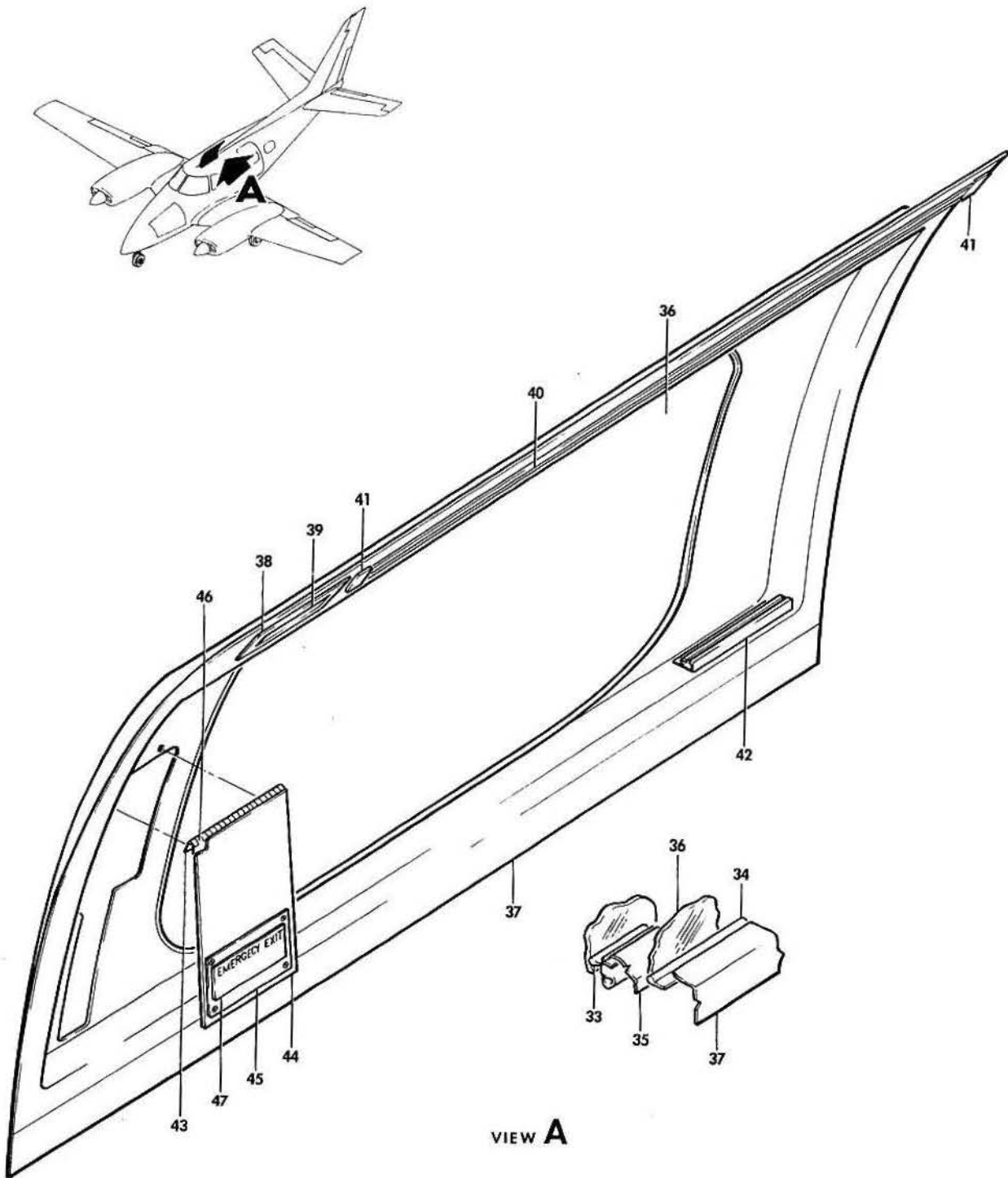
GAMA/ATA CODE & INDEX NO.	PART NO.	DESCRIPTION	UNITS PER ASSY	USABLE ON CODE
		1 2 3 4 5 6 7		
20-01	60-430053	HATCH INSTALLATION, ESCAPE	NP	
	R 60-430053-001	. ESCAPE HATCH ASSY	1	
- 1	60-430053-1	. . FRAME	1	
- 2	60-430053-2	. . FRAME	1	
- 3	60-430053-3	. . FRAME	1	
- 4	60-430053-4	. . FRAME	1	
- 5	60-430053-5	. . FRAME	1	
- 6	60-430053-7	. . FRAME	1	
- 7	60-430053-8	. . FRAME	1	
- 8	60-430053-9	. . FRAME	1	
- 9	60-430053-31	. . CLIP	2	
- 10	60-430053-17	. . CLIP	1	
- 11	60-430053-29	. . SUPPURT	1	
- 12	60-430053-35	. . CLIP	2	
- 13	60-430053-77	. . SKIN, BOND ASSY.	1	
- 14	60-430294-3	. . WINDOW, OUTER.	1	
- 15	60-430300	. . CLIP	4	
		/ATTACHING PARTS/		
	MS35206-244	. . SCREW	4	
	AN960D8L	. . WASHER	4	
	MS21042L08	. . NUT	4	

- 16	60-430293-1	. . EXTENDER.	1	
- 17	60-430293-5	. . EXTENDER.	1	
- 18	60-430293-7	. . EXTENDER.	1	
- 19	60-430053-46	. . STRIKER PLATE	1	
- 20	60-430053-45	. . STRIKER PLATE	1	
		/ATTACHING PARTS/		
	AN509-8R11	. . SCREW	4	
	AN960-8	. . WASHER.	4	
	MS21042L08	. . NUT	4	

- 21	60-430053-71	. . SHAFT ASSY, AFT.	1	
- 22	60-430053-69	. . SHAFT ASSY, FWD.	1	
- 23	60-430053-61	. . HANDLE ASSY, EMERGENCY EXIT.	1	
		/ATTACHING PARTS/		
	130909B19	. . BOLT.	2	
	AN960-10L	. . WASHER.	2	
	130909N29	. . NUT	2	

- 24	8L2FF	. . NYLINER	4	
- 25	AN960PD816	. . WASHER.	2	
- 26	60-430053-65	. . SUPPORT	2	
- 27	50-430013-377	. . BRACKET	1	
- 28	10094260016-20	. . SPRING.	1	
- 29	MS24665-134	. . PIN, COTTER.	1	
- 30	50-420013-373	. . TRIGGER	1	
- 31	404-185661-3	. . BUTTON, EMERGENCY DOOR RELEASE	1	
		/ATTACHING PARTS/		
- 32	MS20392-1C29	. . PIN	1	
	MS24665-5	. . PIN, COTTER.	1	

BEECHCRAFT
DUKE B60
ILLUSTRATED PARTS CATALOG



B60-108-3

B E E C H C R A F T
DUKE B60
I L L U S T R A T E D P A R T S C A T A L O G

GAMA/ATA CODE & INDEX NO.	PART NO.	DESCRIPTION	UNITS PER ASSY	USABLE ON CODE
		1 2 3 4 5 6 7		
20-01	130551-1000	SEAL,PRESSURE	1	
	60-530085-89	FRAME INSTALLATION CABIN WINDOW	NP	
- 33	60-530085-23	. GIMP.	1	
- 34	60-530085-21	. GIMP.	1	
- 35	60-530085-85	. FRAME,OUTSIDE	1	
- 36	60-530085-123	. WINDOW,INNER.	1	
- 37	60-530085-125	. FRAME,INSIDE.	1	
		/ATTACHING PARTS/		
	100951N031ZD	. WASHER.	AR	
	AN960PD6	. WASHER.	AR	
	PK84XA6-6	. SCREW	AR	
	NAS680A06	. NUTPLATE.	4	
	NAS390B6P	. WASHER.	4	
	NAS387-632-5P	. SCREW	4	

- 38	60-530112-3	ESCUTCHEON.	1	
- 39	60-384039	SIGN,EMERGENCY EXIT	1	
		/ATTACHING PARTS/		
	NAS387-632-14P	SCREW	4	
	MS21083N06	NUT	4	

- 40	60-530269-69	TRIM,UPPER.	1	
- 41	60-530230-1	CAP,END OF TRIM	2	
		/ATTACHING PARTS/		
	AN531-6R10	SCREW	3	

- 42	60-530070-25	TRACK,CURTAIN	2	
- 43	60-530032-255	HINGE,HALF/HATCH/	1	
		/ATTACHING PARTS/		
	MS24693S51	SCREW	2	
	MS21083N08	NUT	2	
	AN960-8	WASHER.	2	

- 44	60-530032-253	COVER ASSY,EMERGENCY ESCAPE HATCH HANDLE.	1	
		/ATTACHING PARTS/		
	105774M-ZE00424	PIN,HINGE	1	

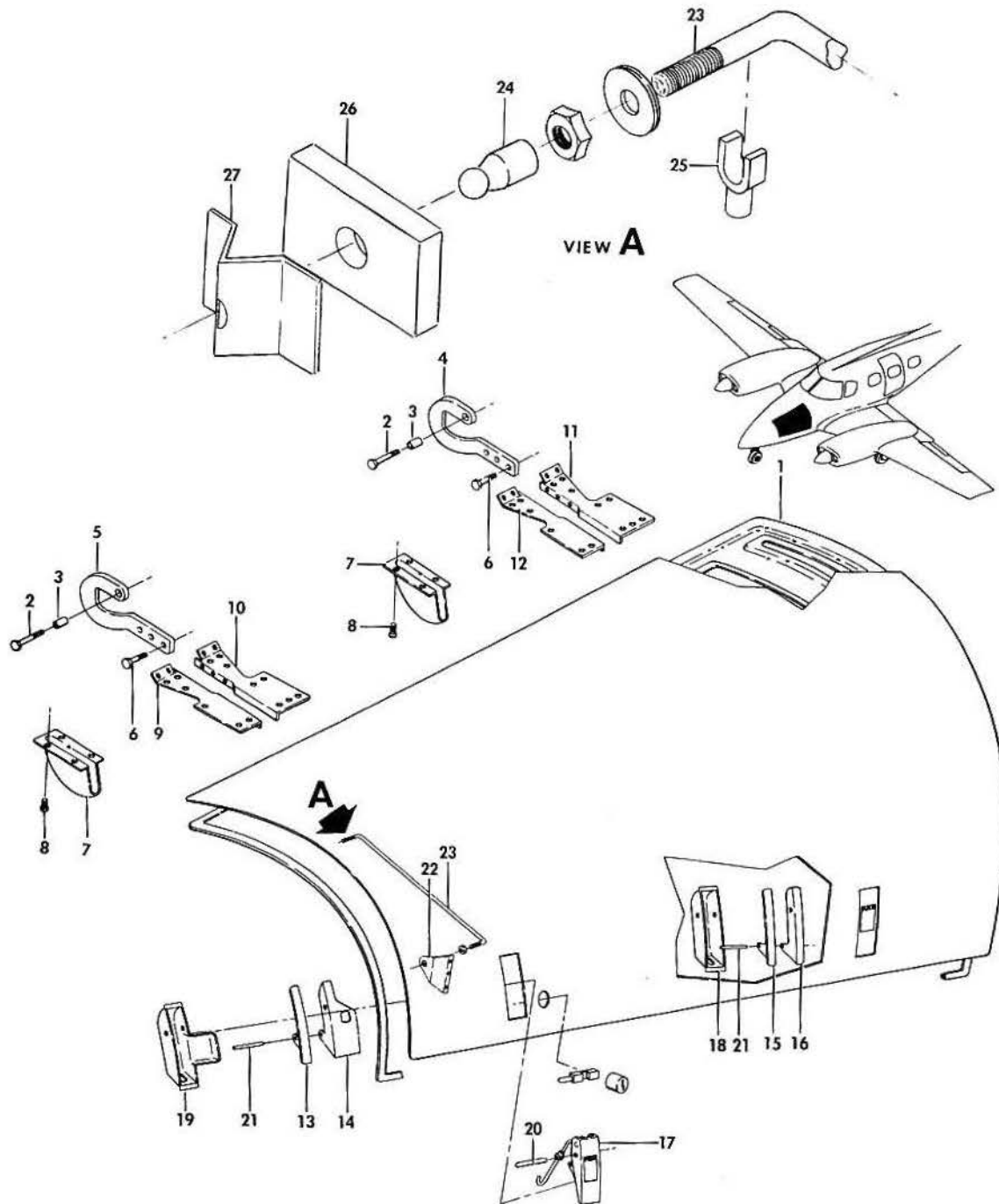
- 45	60-530032-251	. PANEL	1	
- 46	60-530032-257	. HINGE,HALF/COVER/	1	
- 47	60-530098-1	. PLACARD,EMERGENCY ESCAPE HATCH.	1	
	60-530283-9	PLATE,SEAT INSTRUCTION.	1	
		/ATTACHING PARTS/		
	A109-014-1	NUT,SPEED/ALTERNATE FOR A1037-012-1/.	2	
	A1037-012-1	NUT,SPEED/ALTERNATE FOR A109-014-1/	2	

"END"

B E E C H C R A F T
DUKE B60
I L L U S T R A T E D P A R T S C A T A L O G

52-40-01
NOSE BAGGAGE DOOR

BEECHCRAFT
DUKE B60
ILLUSTRATED PARTS CATALOG

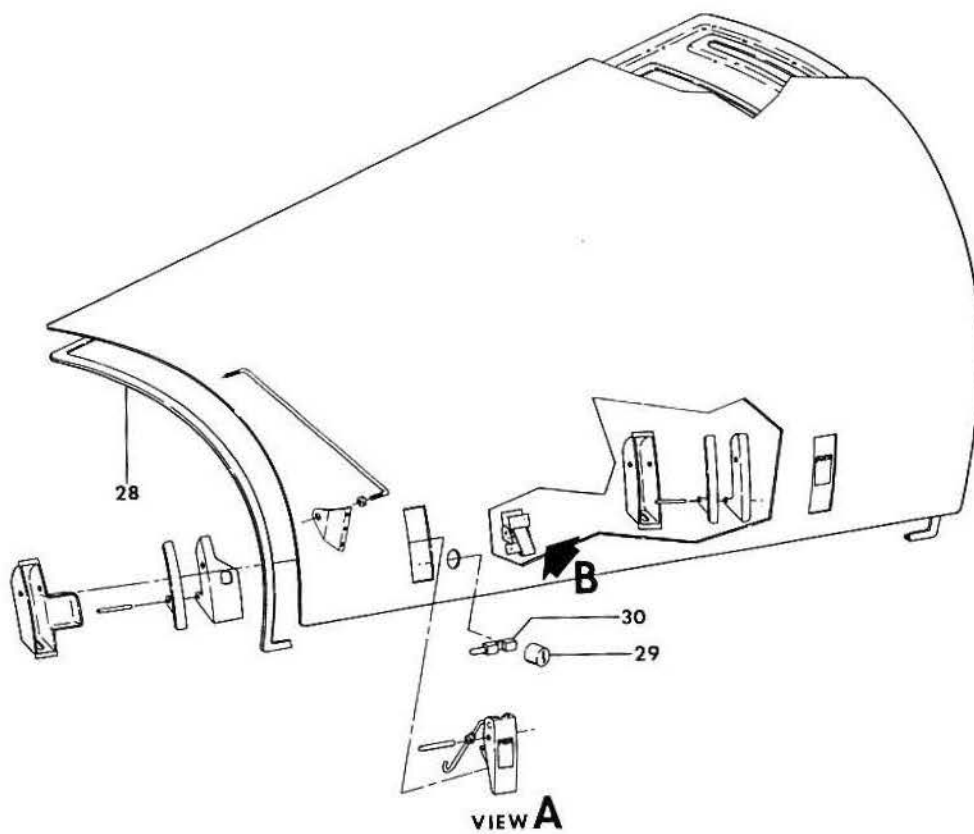
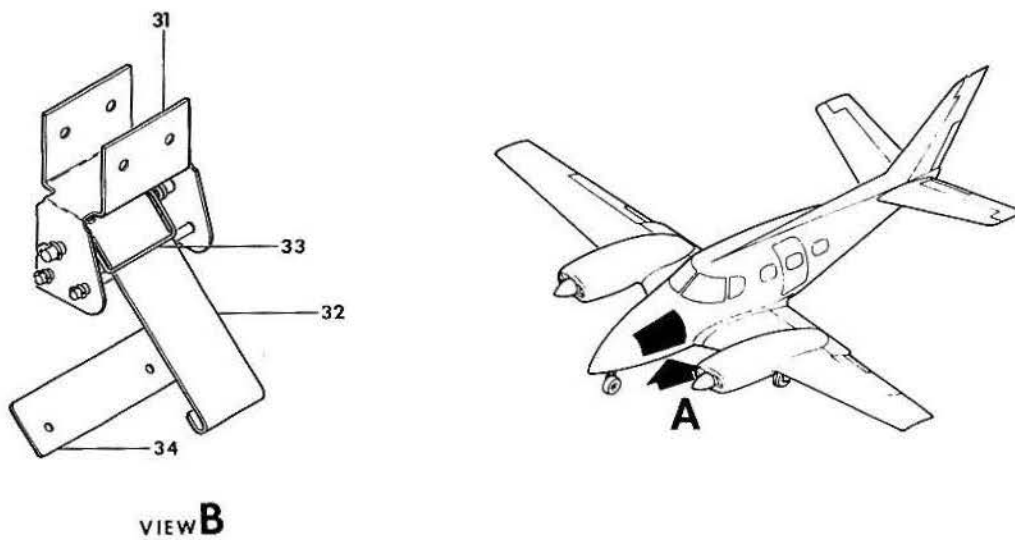


B60-113-1

B E E C H C R A F T
DUKE B60
I L L U S T R A T E D P A R T S C A T A L O G

SUB-SECT UNIT & ITEM NO.	PART NO.	DESCRIPTION							UNITS PER ASSY	USABLE ON CODE
		1	2	3	4	5	6	7		
40-01	60-410023	DOOR INSTL,NOSE BAGGAGE							NP	
- 1	R 60-410023-601	. DOOR ASSY,NOSE BAGGAGE/WITH LATCH ASSY/							1	1
	60-410023-603	. DOOR ASSY,NOSE BAGGAGE/WITHOUT LATCH ASSY/.							1	2
		/ATTACHING PARTS/								
- 2	130909835	. BOLT.							2	
- 3	1057395-ZZ0250	. SPACER.							2	
	AN960-416	. WASHER.							2	
	130909N32	. NUT							2	
- 4	60-410053-1	. HINGE,AFT							1	
- 5	60-410053-3	. HINGE,FWD							1	
- 6	130909B15	. BOLT.							3	
	AN960-10L	. WASHER.							3	
	MS21042L08	. NUT							3	
- 7	60-410063	. COVER,HINGE							2	
- 8	PK76XZ6-6	. SCREW							4	
*										
- 9	60-410023-13	. . ANGLE,FWD HINGE FWD							1	
- 10	60-410023-15	. . ANGLE,FWD HINGE AFT							1	
- 11	60-410023-11	. . ANGLE,AFT HINGE AFT							1	
- 12	60-410023-9	. . ANGLE,AFT HINGE FWD							1	
- 13	60-410051-7	. . ANGLE,FWD LATCH FWD							1	
- 14	60-410051-5	. . ANGLE,FWD LATCH AFT							1	
- 15	60-410051-3	. . ANGLE,AFT LATCH FWD							1	
- 16	60-410051-1	. . ANGLE,AFT LATCH AFT							1	
- 17	60-384013-5	. . LATCH ASSY,FWD.							1	
	60-384013-7	. . LATCH ASSY,AFT.							1	
- 18	002-420055-21	. . COVER,AFT LATCH							1	
- 19	002-420055-23	. . COVER,FWD LATCH							1	
		/ATTACHING PARTS/								
- 20	MS20392-2C39	. . PIN							1	
	AN960-10L	. . WASHER.							1	
	MS24665-151	. . PIN,COTTER.							2	
- 21	MS20392-1C39	. . PIN							1	
*										
- 22	60-410064-1	. . BRACKET,BAGGAGE COMPARTMENT DOOR SUPPORT.							1	
- 23	60-410064-7	. . TUBE,BAGGAGE COMPARTMENT DOOR SUPPORT							1	
		/ATTACHING PARTS/								
	AN515-10R7	. . SCREW							1	
	100801D3-100	. . BUSHING							1	
	AN960D10	. . WASHER.							1	
	10-32 X 1.25	. . SCREW,SET							1	
	AN970-3	. . WASHER,ROD TO BLOCK							1	
- 24	P112-984-24A	. . STUD,BALL							1	
*										
- 25	185678-1	. . CLIP,TUBE SUPPORT/DOOR CLOSED/.							1	
		/ATTACHING PARTS/								
	AN515-8R10	. . SCREW							1	
	R 102933D4ZE0250	. . SPACER.							1	
	R NAS1329S08K75	. . NUT							1	
*										
- 26	60-410064-5	. . BLOCK,TUBE SUPPORT/DOOR OPEN/							1	
- 27	A4177-017-3	. . SPRING,CATCH.							1	
		/ATTACHING PARTS/								
	R AN525-10R10	. . SCREW							2	
	R AN960-10L	. . WASHER.							2	
	R 130909N29	. . NUT							2	
*										

BEECHCRAFT
DUKE 860
ILLUSTRATED PARTS CATALOG



B60-113-3

B E E C H C R A F T
DUKE B60
I L L U S T R A T E D P A R T S C A T A L O G

SUB-SECT UNIT & ITEM NO.	PART NO.	DESCRIPTION							UNITS PER ASSY	USABLE ON CODE
		1	2	3	4	5	6	7		
40-01 - 28	R 60-410023-27	1	
	R 002-410055-51	2	
	R 60-400011-9	1	
- 29	R 9899	1	
- 30	R 60-400011-7	1	
	R 58-410018-11	1	2
- 31	R 58-410018-13	1	2
- 32	R 58-410018-5	1	2
		/ATTACHING PARTS/								
	R MS20392-2C47	1	2
	R AN960-10L	1	2
	R AN960-10	2	2
	R MS24665-151	1	2
		----->								
- 33	R 58-410018-7	1	2
	R MS20392-1C49	2	2
	R AN960-4	2	2
	R MS24665-151	2	2
- 34	R 58-410018-15	1	2
	R 60-4007	1	1
	R 58-410018-15	1	1
	R 58-410018-11	1	1
	R 58-410019-7	1	1
	R 58-410019-5	1	1

CODES OF EFFECTIVITY

1 P-247 THRU P-569 2 P-570 AND AFTER

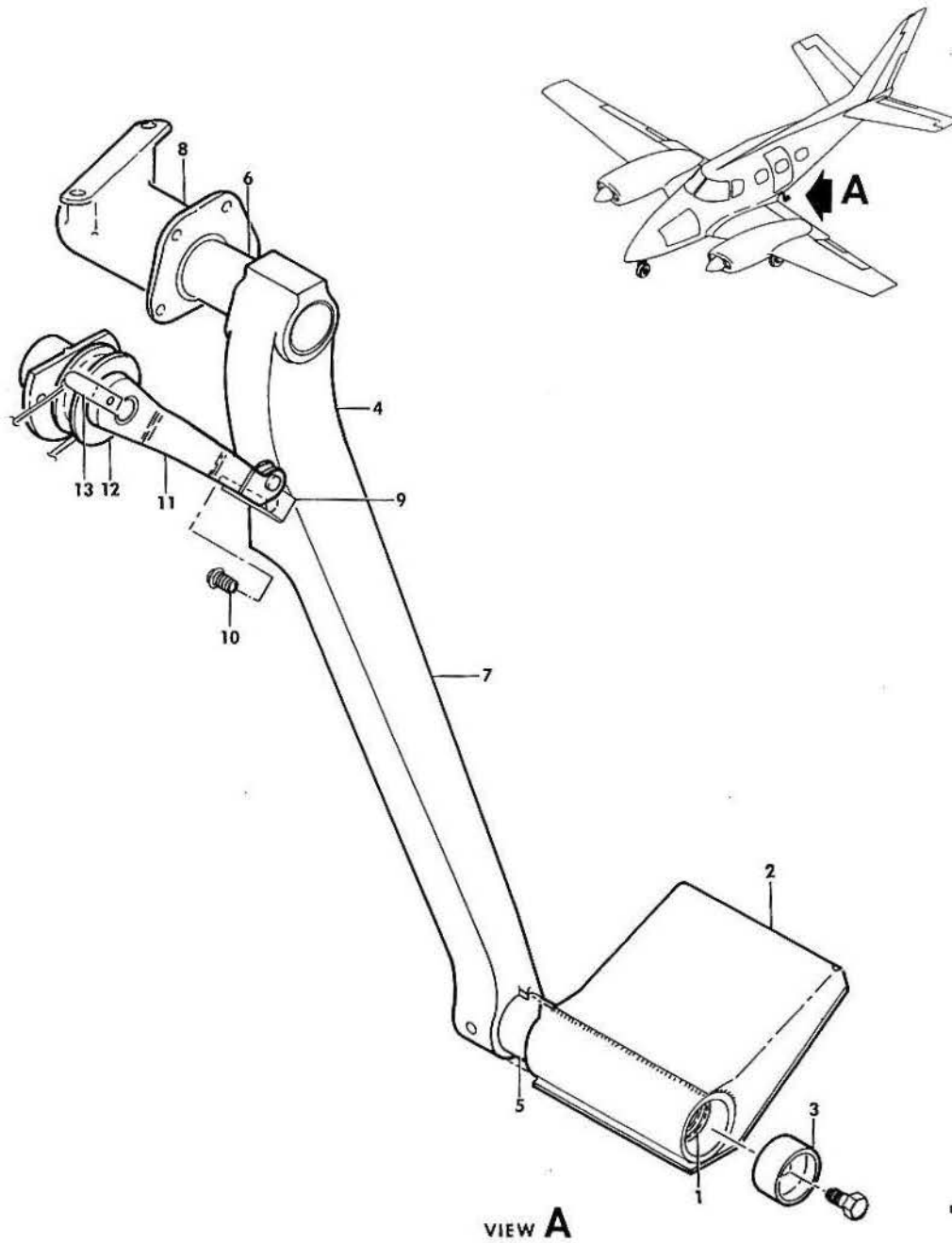
BEECHCRAFT
DUKE B60
ILLUSTRATED PARTS CATALOG

52-40-10
WING ACCESS DOORS/REFERENCES/
SEE CHAPTER 57 FOR WING ACCESS DOORS

BEECHCRAFT
DUKE B60
ILLUSTRATED PARTS CATALOG

52-60-01
CABIN ENTRANCE STEP

BEECHCRAFT
DUKE B60
ILLUSTRATED PARTS CATALOG



860-112-3

BEECHCRAFT
DUKE 860
ILLUSTRATED PARTS CATALOG

GAMA/ATA CODE & INDEX NO.	PART NO.	DESCRIPTION							UNITS PER ASSY	USABLE ON CODE
		1	2	3	4	5	6	7		
60-01	60-430227	STEP INSTL,CABIN ENTRANCE MECHANICAL.							NP	1
	60-530227-35	STEP INSTL,CABIN ENTRANCE MECHANICAL.							NP	
	60-430117	. STEP ASSY,CABIN ENTRANCE.							1	
		/ATTACHING PARTS/								
	130909820	. BOLT.							1	
	AN960D10L	. WASHER.							1	
	1006960-ZC012	. SPACER.							1	
- 1	60-430132	. SPRING.							1	
	MS21047L3	. NUT PLATE							1	

- 2	60-430117-23	. . STEP ASSY							1	
	AA1517-4	. . BEARING							2	
- 3	60-430117-9	. . RETAINER.							1	
- 4	60-430138	. STRUT ASSY,CABIN STEP							1	
- 5	60-430138-7	. . AXLE ASSY,LOWER							1	
		/ATTACHING PARTS/								
	NAS561PF6-28	. . PIN							1	

- 6	60-430138-13	. . AXLE,UPPER.							1	
		/ATTACHING PARTS/								
	NAS561PF1C36	. . PIN							1	

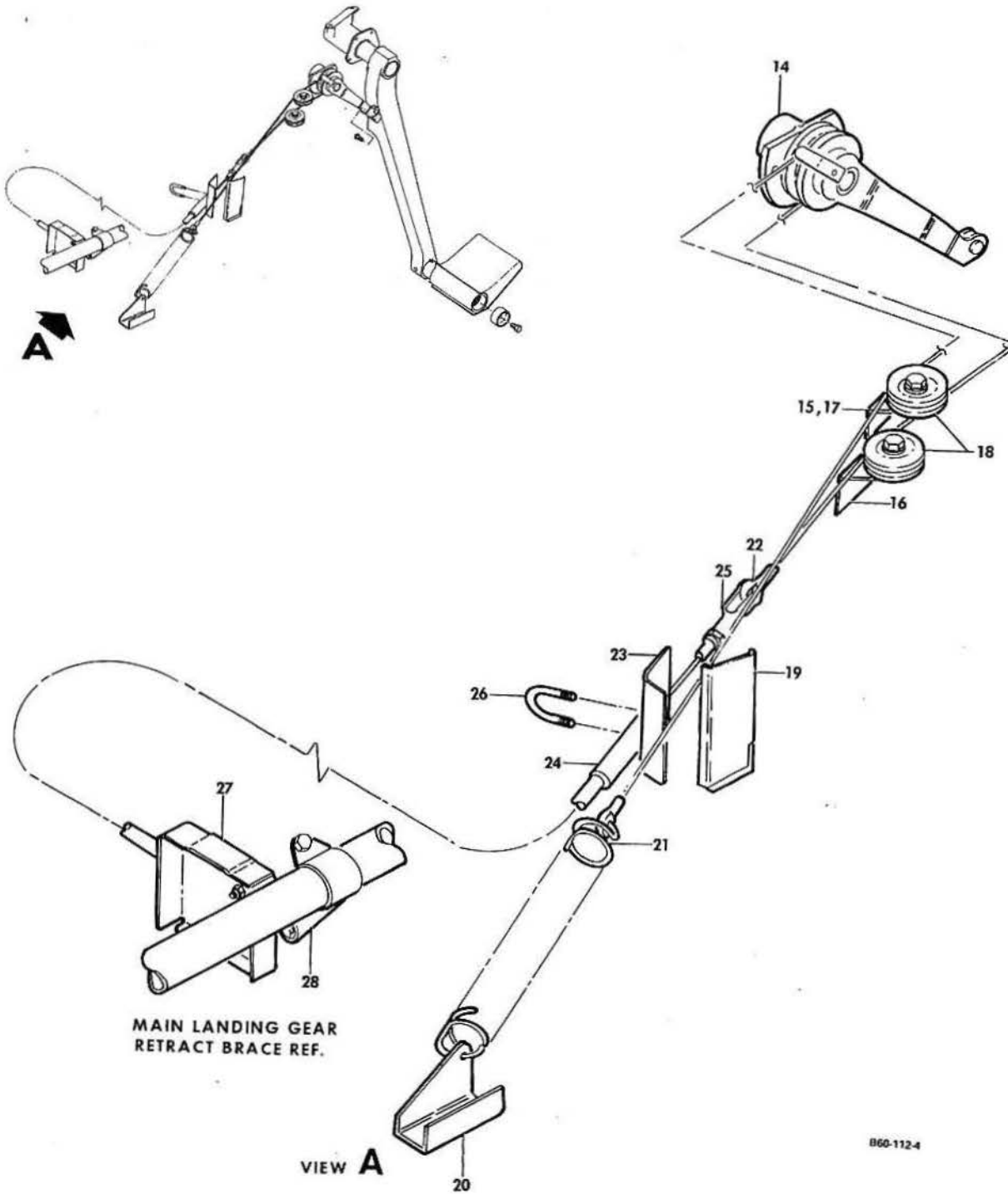
- 7	60-430246-1	. . STRUT,LESS AXLES.							1	
	MS21209F1-20	. . INSERT,SCREW THREAD							1	
- 8	60-430122-11	. HOUSING ASSY.							1	
		/ATTACHING PARTS/								
	AN509-8R12	. SCREW							4	
	AN960-8	. WASHER.							4	
	60-430227-29	. SHIM.							AR	
	MS21042L08	. NUT							4	
	130909B19	. BOLT.							2	
	AN960-10	. WASHER.							2	
	130909N29	. NUT							2	

	60-430122-7	. . HOUSING							1	
	60-430122-9	. . BUSHING							2	
- 9	60-430247	. BELLCRANK,CABIN STEP LOWER.							1	
		/ATTACHING PARTS/								
- 10	AN525-10R11	. SCREW							1	
	AN960-10	. WASHER.							1	
	101321-1580216	. BUSHING							1	
	AN935-10L	. WASHER.							1	
	HL19PB8-8	. PIN							1	
	101321-16K0295	. BUSHING							1	
	130909N32	. NUT							1	

	60-430241	. BELLCRANK ASSY,CABIN STEP UPPER							1	
		/ATTACHING PARTS/								
	R NAS1515H10H	. WASHER.							1	
	R AN960-1016L	. WASHER.							2	
	MS171536	. PIN							1	

- 11	60-430241-11	. . BELLCRANK							1	
- 12	60-430242	. . PULLEY.							1	
- 13	60-430227-23	. CLIP.							1	
		/ATTACHING PARTS/								
	HL19PB5-8	. PIN							1	
	AN960-8L	. WASHER.							1	
	NAS1291-08	. NUT							1	

BEECHCRAFT
DUKE B60
ILLUSTRATED PARTS CATALOG



BEECHCRAFT
DUKE B60
ILLUSTRATED PARTS CATALOG

GAMA/ATA CODE & INDEX NO.	PART NO.	DESCRIPTION	UNITS PER ASSY	USABLE ON CODE
		1 2 3 4 5 6 7		
60-01 - 14	60-430229	. SUPPORT ASSY,CABIN STEP BELLCRANK	1	
		/ATTACHING PARTS/		
	MS27039-0812	. SCREW	3	
	AN960-8	. WASHER	3	
	R 130909N28	. NUT	3	
	60-430229-1	1	
	FF718-3	. . BEARING	1	
- 15	60-430227-25	. CLIP	1	
- 16	60-430227-21	. CLIP	1	
- 17	60-430227-27	. CLIP	1	
- 18	R MS20219-1	. PULLEY	2	
		/ATTACHING PARTS/		
	AN960-416	. WASHER	1	
	130909N32	. NUT	1	
- 19	60-430244	. STOP ASSY,CABIN STEP.	1	
		/ATTACHING PARTS/		
	MS27039-1-08	. SCREW	2	
	AN935-10	. WASHER	2	
	R MS20364-428	. NUT	2	
	60-430244-1	. . CHANNEL	1	
	60-430244-3	. . STOP,NYLON.	1	
- 20	60-430227-31	. BRACKET	1	
- 21	50-384066	. SPRING	1	
- 22	60-430240	. CABLE ASSY.	1	1
	60-430240-3	. CABLE ASSY.	1	2
		/ATTACHING PARTS/		
	MS20392-3C17	. PIN	1	1
	MS20392-2C21	. PIN	1	2
	AN960-416L	. WASHER	1	1
	AN960-10L	. WASHER	1	2
	AN380-2-3	. PIN,COTTER.	1	1
	MS24665-132	. PIN,COTTER.	1	2
- 23	60-430227-19	. SUPPORT	1	1
	60-430227-39	. SUPPORT	1	2
		/ATTACHING PARTS/		
	MS27039-1-09	. SCREW	2	
	AN960-10	. WASHER	2	
	130909N29	. NUT	2	
- 24	157-102	. CONTROL ASSY.	1	
		/ATTACHING PARTS/		
	R MS20392-2C21	. PIN	1	
	AN960-10L	. WASHER	1	
	AN380-2-2	. PIN,COTTER.	1	
- 25	MS27975-2	. CLEVIS	1	
	AN316-4R	. NUT,CHECK	1	
- 26	161-010-7	. U-BOLT	2	
	AN935-416	. WASHER	4	
- 27	60-430227-33	. SUPPORT	1	1
	60-430227-37	. SUPPORT	1	2
- 28	60-430224-9	. ARM ASSY.	1	
		/ATTACHING PARTS/		
	MS27039-1-06	. SCREW	1	
	60-430224-11	. SHIM	2	
	AN960-10L	. WASHER	AR	
	AN960-10	. WASHER	2	
	130909N29	. NUT	1	

CODES OF EFFECTIVITY

1 P-247 THRU P-509 2 P-510 AND AFTER

BEECHCRAFT
DUKE B60
ILLUSTRATED PARTS CATALOG

52-70-01
CABIN DOOR AND BAGGAGE DOOR WARNING/REFERENCES/
SEE CHAPTER 52, MODEL 60 WIRING MANUAL
FOR CABIN AND BAGGAGE DOOR WARNING

BEECHCRAFT
DUKE B60
ILLUSTRATED PARTS CATALOG

52-80-01
LANDING GEAR DOORS, MAIN AND NOSE/REFERENCES/
SEE CHAPTER 32 FOR MAIN AND NOSE
LANDING GEAR DOORS

