

B E E C H C R A F T
DUKE 860
I L L U S T R A T E D P A R T S C A T A L O G

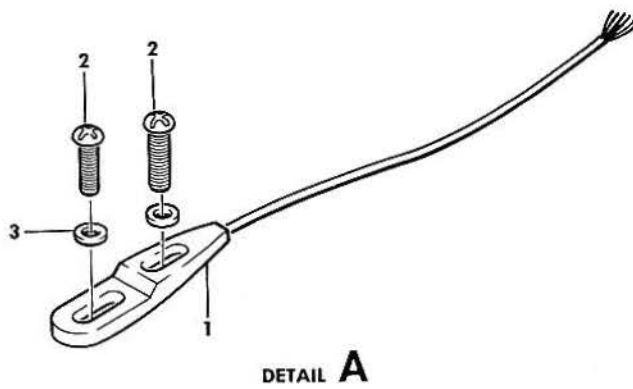
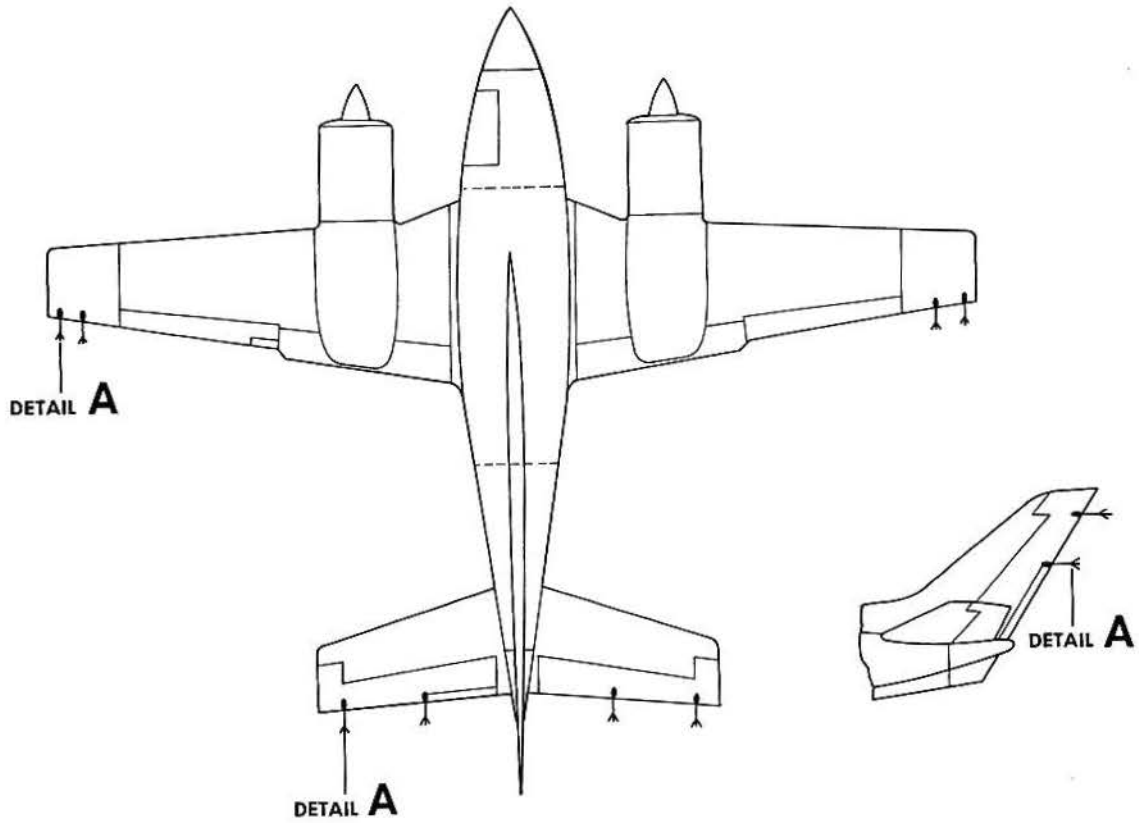
LIST OF PAGES & TABLE OF CONTENTS
FOR
CHAPTER 23-00-00 COMMUNICATIONS

SYS/SUB-SYS/ CHAP SECTION	PAGE NO.	EFFECTIVE DATE	TABLE OF CONTENTS
23-00-00	1	01/08/82. LIST OF PAGES & TABLE OF CONTENTS
23-60-01	1	01/08/82. STATIC WICKS.
23-60-01	2	01/08/82	
23-60-01	3	01/08/82	

BEECHCRAFT
DUKE B60
ILLUSTRATED PARTS CATALOG

23-60-01
STATIC WICKS

BEECHCRAFT
DUKE B60
ILLUSTRATED PARTS CATALOG



860-363-2

FIGURE 60-01.STATIC WICKS

B E E C H C R A F T
DUKE B60
I L L U S T R A T E D P A R T S C A T A L O G

GAMA/ATA CODE & INDEX NO.	PART NO.	DESCRIPTION							UNITS PER ASSY	USABLE ON CODE
		1	2	3	4	5	6	7		
60-01	60-340031	WICK INSTL,STATIC DISCHARGER/STD/	NP	1
	60-340031-3	WICK INSTL,STATIC DISCHARGER/WET WING TIP/	NP	2
	58-360032-5	WICK INSTALLATION,STATIC DISCHARGER	NP	3
- 1	35-5010-3	. STATIC WICK	10	1
		/ATTACHING PARTS/								
- 2	MS35206-229	. SCREW	20	1
- 3	AN936A6	. WASHER.	20	1
		*								
	58-360032-3	. STATIC WICK ASSY.	15	3
	DD-1W	. . WICK,DISCHARGER	1	3
	B-1	. . MOUNTING BASE	1	3

CODES OF EFFECTIVITY

- | | |
|--------------------|------------------|
| 1 P-247 THRU P-580 | 2 P-348, |
| | P-365 THRU P-580 |
| 3 P-581 AND AFTER | |

